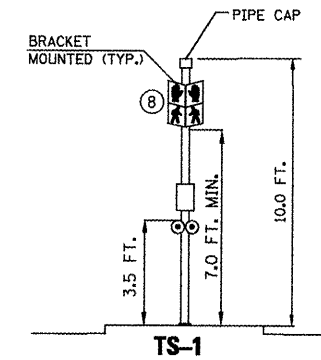
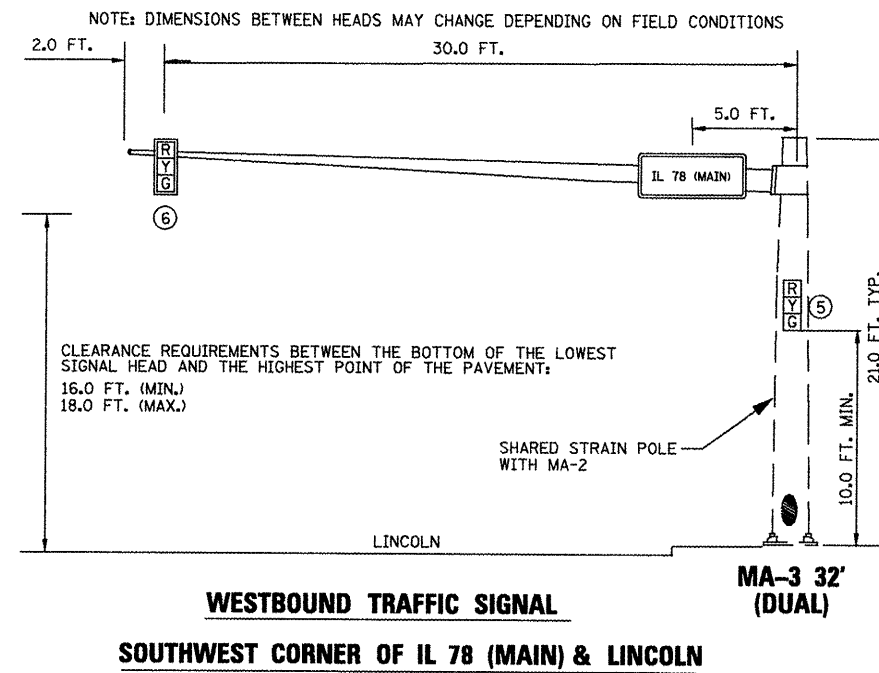
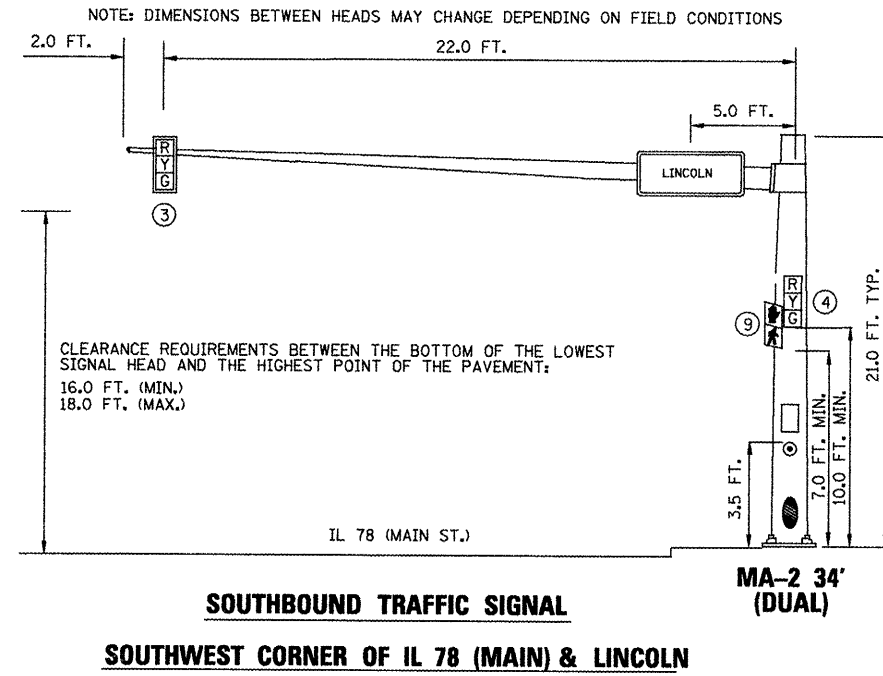
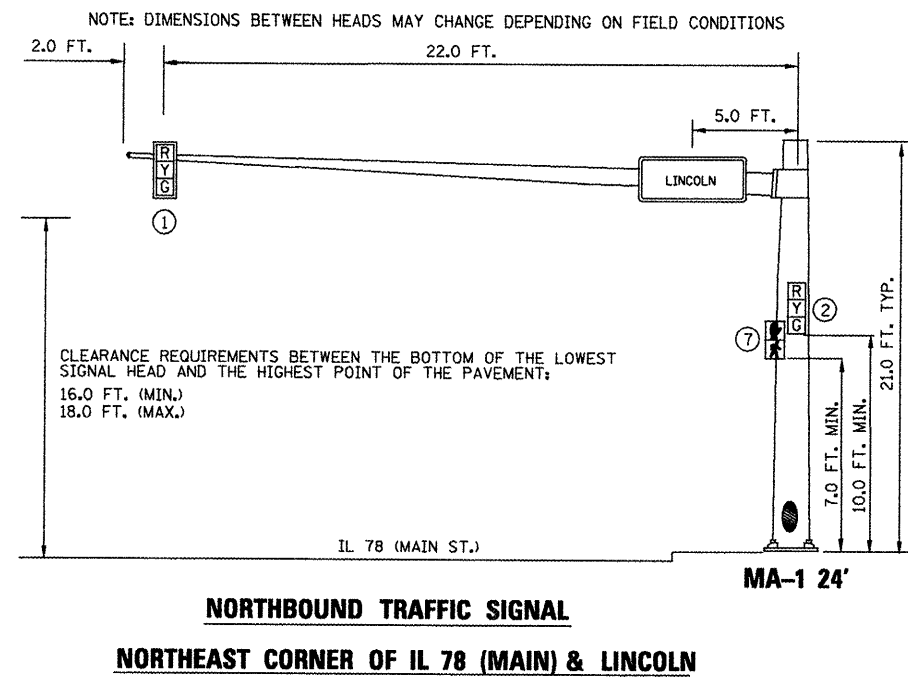


CONTRACT NO. 68114				
F.A.P. RTE.	SECTION	COUNTY	TOTAL SHEETS	SHEET NO.
22	135W-2, RS-5	FULTON	282	121
STA.		TO STA.		
FED. ROAD DIST. NO.		ILLINOIS FED. AID PROJECT		



TRAFFIC SIGNAL POST
SOUTHEAST CORNER OF IL 78 (MAIN) & LINCOLN

TRAFFIC SIGNALS
SHEET 5 OF 5
NOT TO SCALE

REVISIONS	
NAME	DATE

ILLINOIS DEPARTMENT OF TRANSPORTATION
PROPOSED TRAFFIC SIGNAL
MAST ARM AND POST DETAILS
IL 78 (MAIN) & LINCOLN
CANTON

SCALE: VERT. DATE
HORIZ. DRAWN BY
CHECKED BY

PLOT DATE = 8/18/2008
FILE NAME = C:\Proje\68114\17\Bentley\Main & Lincoln Traffic Signals - Revised 8-18-08 Final.dgn
PLOT SCALE = 52.9412' / IN.
USER NAME = brucebm