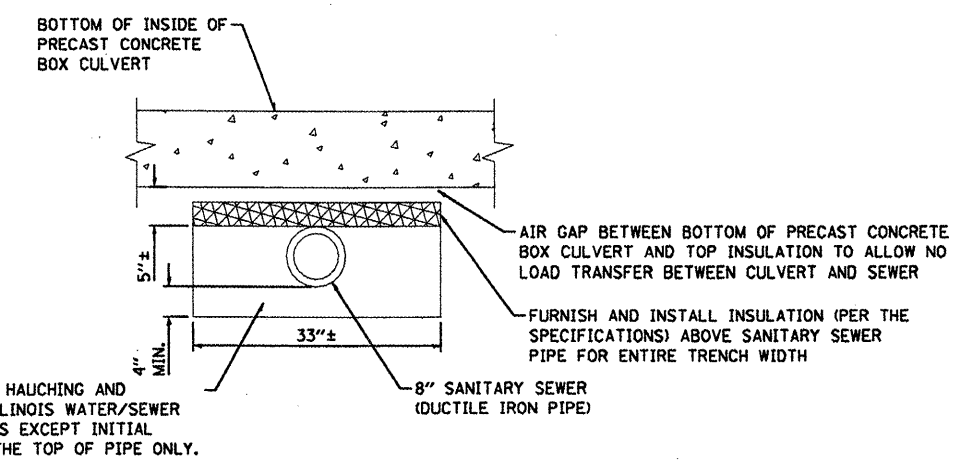
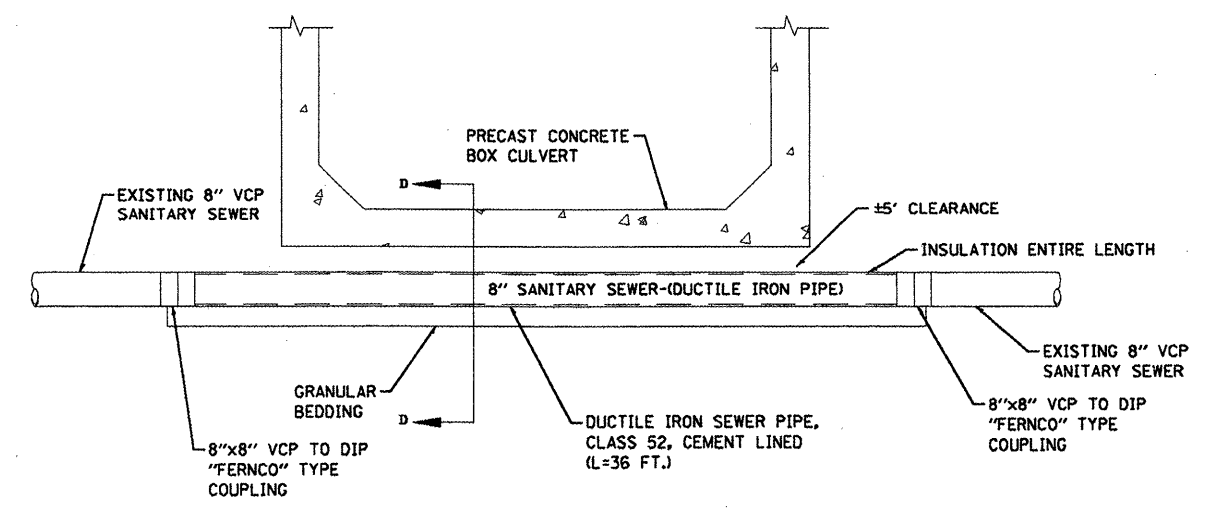


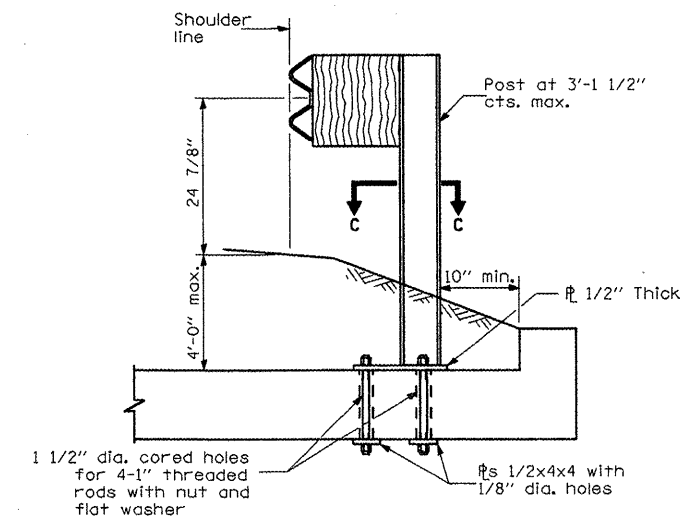
F.A.P. RTE.	SECTION	COUNTY	TOTAL SHEETS	SHEET NO.
22	135W-2; RS-5	FULTON	282	125
STA.		TO STA.		
FED. ROAD DIST. NO.	ILLINOIS	FED. AID PROJECT		



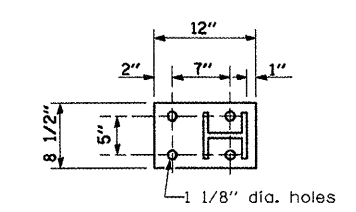
SECTION D-D
SANITARY SEWER SEPARATION CROSS SECTION DETAIL
NO SCALE



SANITARY SEWER SEPARATION PROFILE DETAIL
NO SCALE



CROSS SECTION



SECTION C-C
GUARDRAIL MOUNTED ON CULVERT DETAIL
NO SCALE

REVISIONS	
NAME	DATE

ILLINOIS DEPARTMENT OF TRANSPORTATION

SANITARY SEWER AND GUARDRAIL DETAILS

SCALE: VERT. _____
DATE _____

DRAWN BY _____
CHECKED BY _____

PLOT DATE = 8/10/2008
 PLOT SCALE = 2.0000 / 1.0000
 USER NAME = hush10000