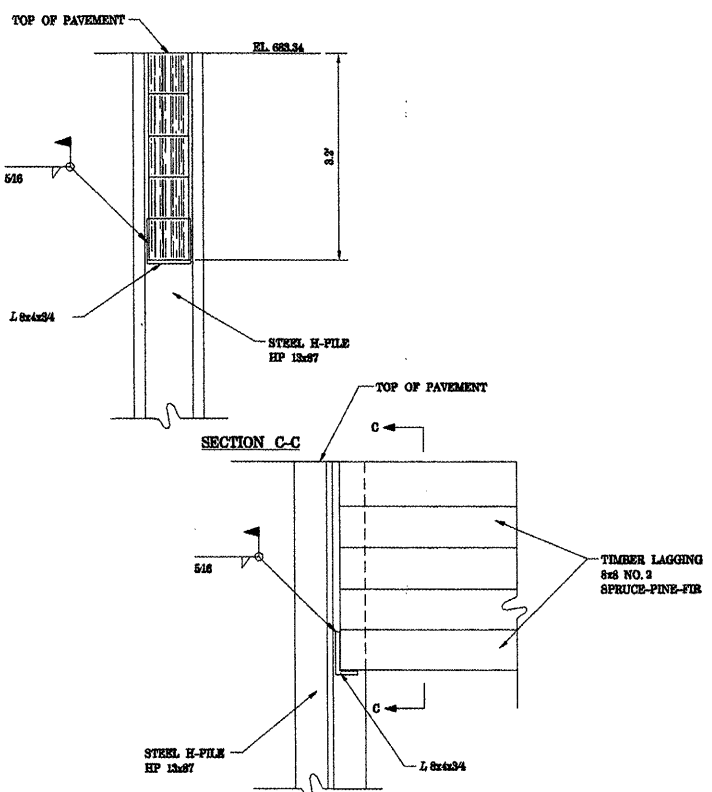
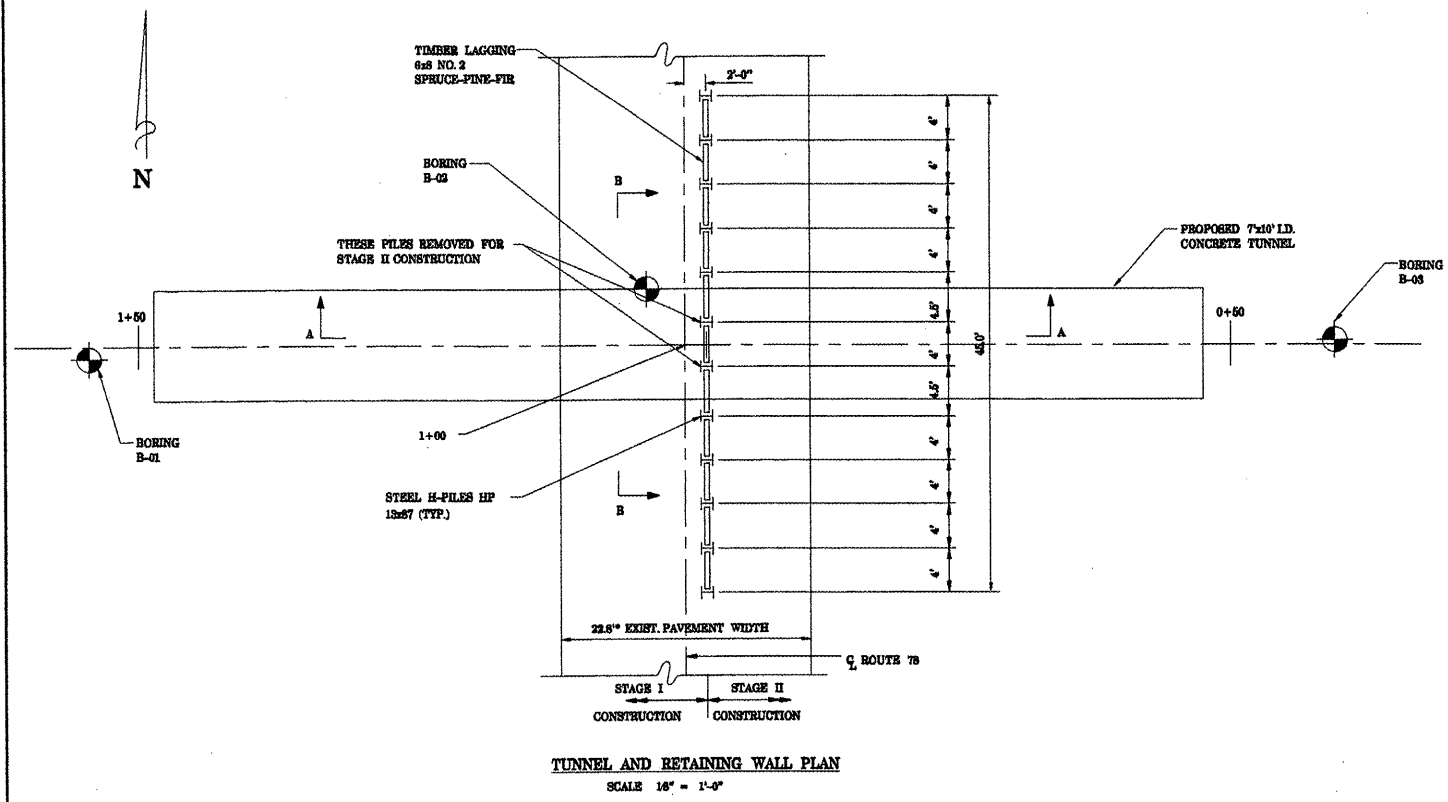
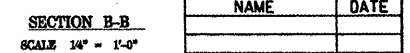
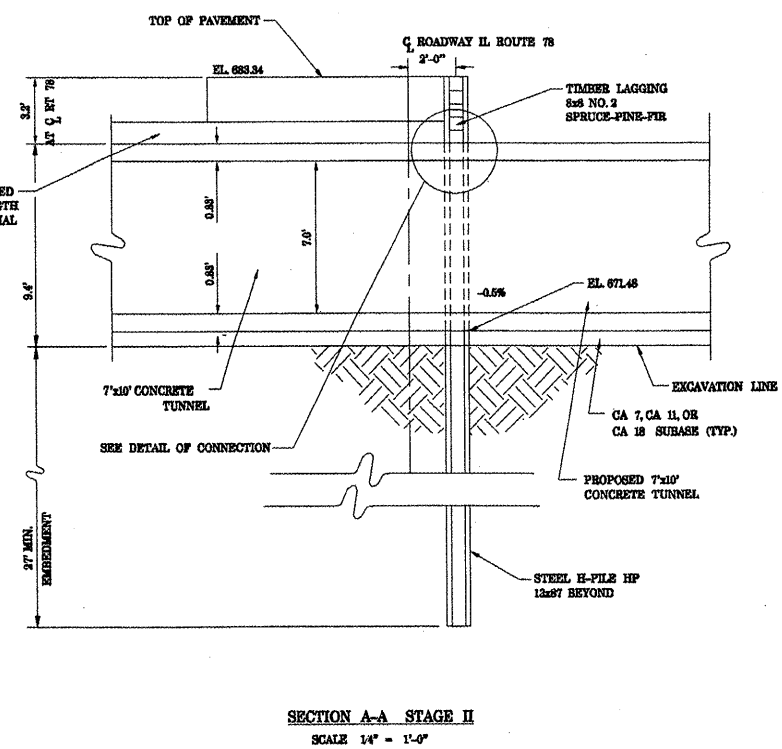
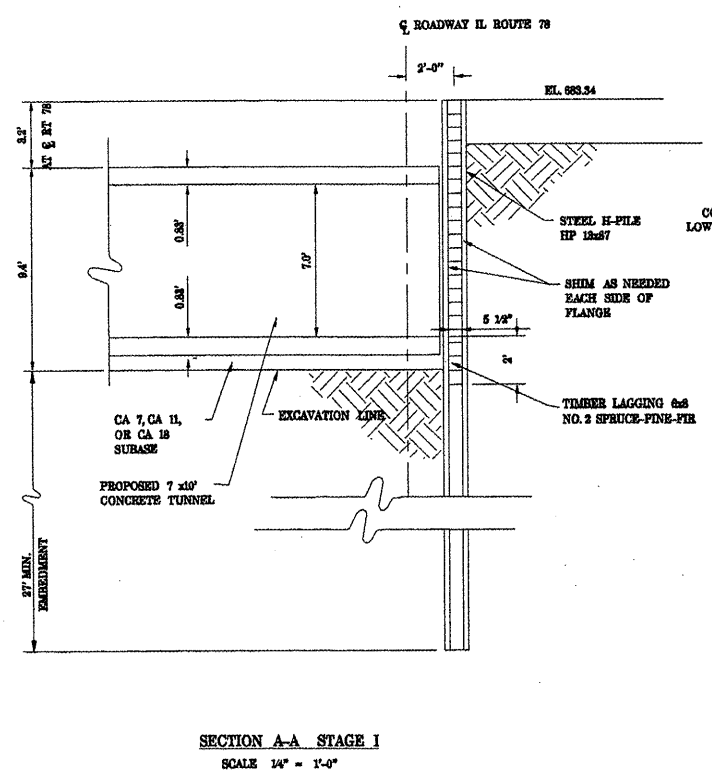
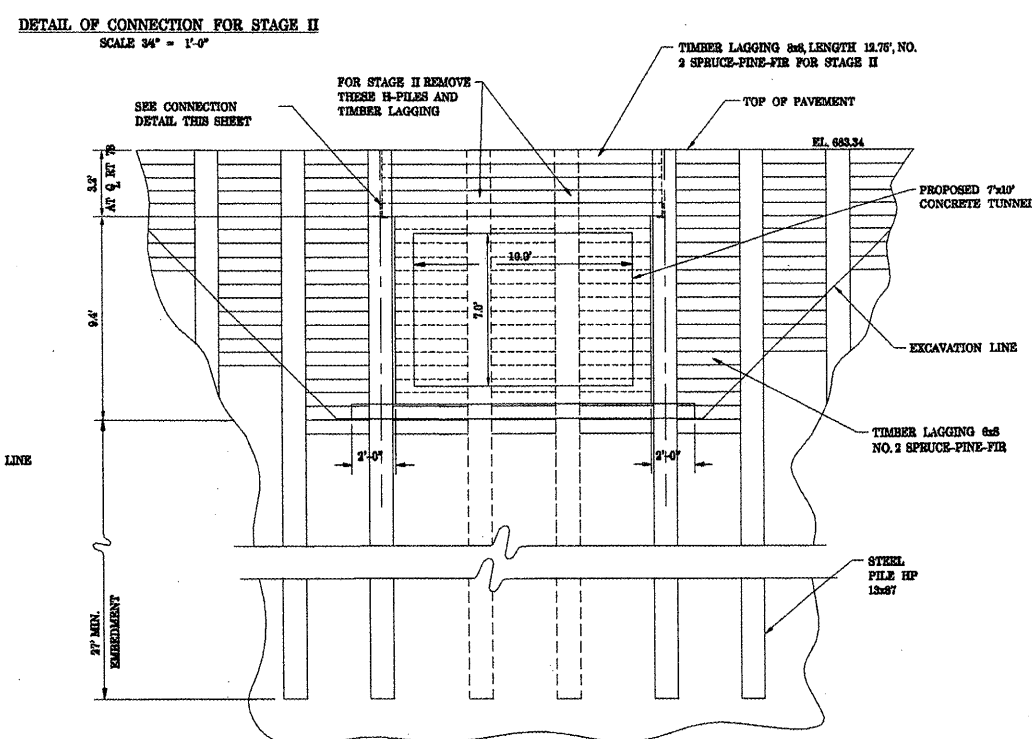


F.A.P. RTE.	SECTION	COUNTY	TOTAL SHEETS	SHEET NO.
22	135W-2-BS-5	EUILION	282	126
STA.		TO STA.		
FED. ROAD DIST. NO.		ILLINOIS FED. AID PROJECT		



- STAGE I WALL SEQUENCE**
1. DRIVE IN PILES.
 2. EXCAVATE AND PUT IN WOOD LAGGING AND SHIMS BETWEEN STEEL FLANGES.
 3. PLACE SECTIONS OF PRECAST CONCRETE BOX TUNNEL.
 4. REMOVE WOOD LAGGING AND SHIMS WITHIN THE WIDTH OF THE NEW TUNNEL.
 5. BACKFILL AND CONSTRUCT NEW PAVEMENT.
- STAGE II WALL SEQUENCE**
1. PULL OUT TWO PILES WITHIN THE WIDTH OF THE TUNNEL.
 2. BEGIN EXCAVATION PLACING NEW LAGGING AND SHIMS BETWEEN THE TWO PILES OUTSIDE OF THE TUNNEL.
 3. WELD IN STEEL ANGLE SUPPORTS FOR THE WOOD LAGGING WITHIN THE TUNNEL WIDTH.
 4. PLACE SECTIONS OF PRECAST CONCRETE TUNNEL.
 5. REMOVE WOOD LAGGING AND SHIMS DURING BACKFILL PROCESS.
 6. PULL OUT ALL STEEL PILES.
 7. CONSTRUCT NEW PAVEMENT.



REVISIONS	
NAME	DATE

ILLINOIS DEPARTMENT OF TRANSPORTATION

TEMPORARY RETAINING WALL DETAILS
CANTON COUNTRY CLUB TUNNEL

SCALE: VERT. _____
HORIZ. _____

DATE _____

DRAWN BY *DMD*
CHECKED BY *KEP*

PLOT DATE = 8/16/2006
FILE NAME = c:\p\proj\1178\section\construction_details.dgn
PLOT SCALE = 2.1491 / IN.
USER NAME = budtette