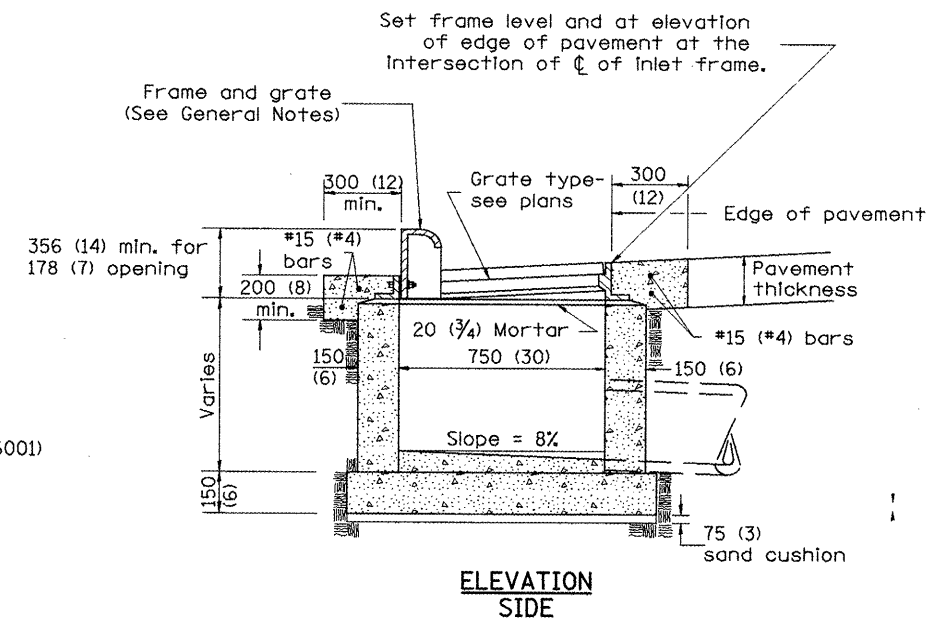
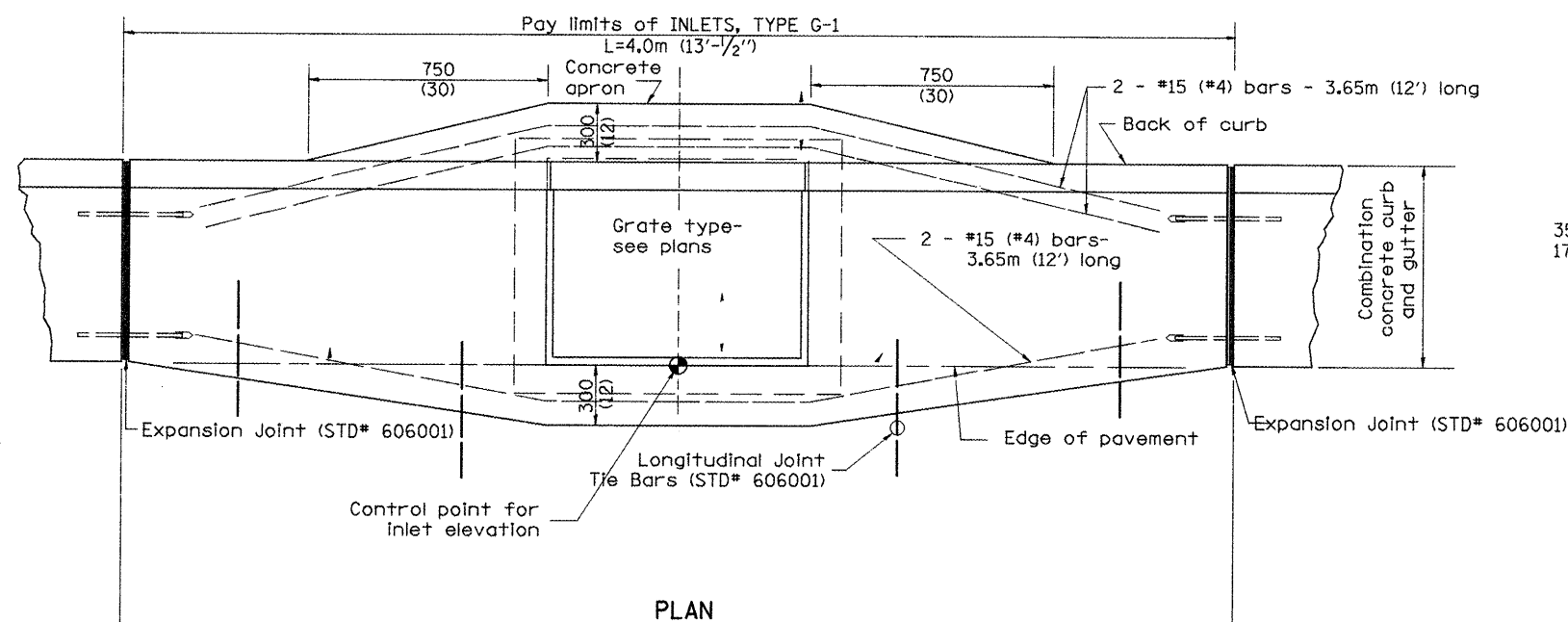
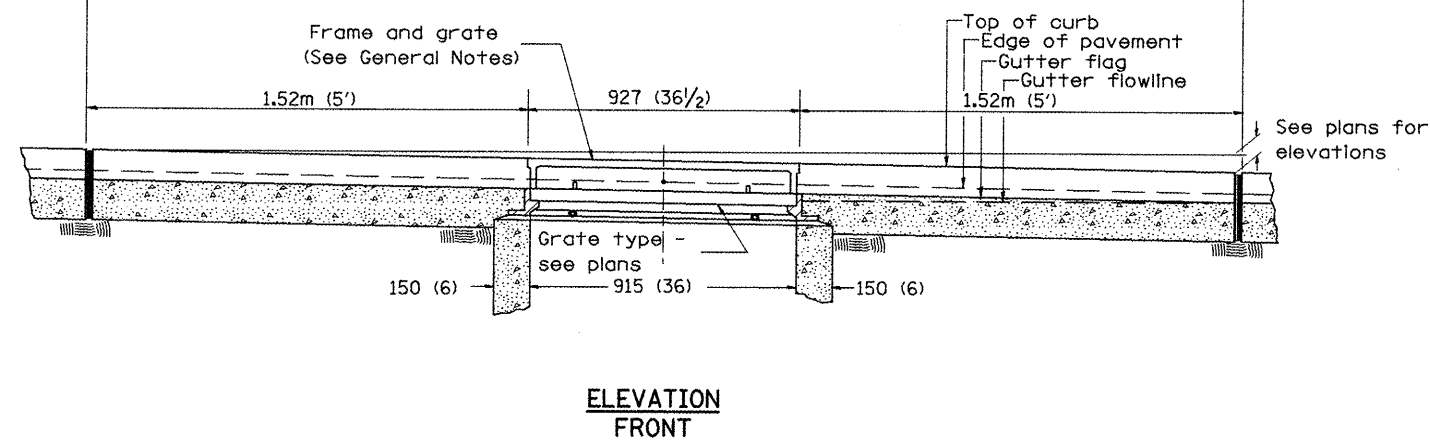


| | | | | |
|---------------------|--------------|------------------|--------------|-----------|
| F.A.P. RTE. | SECTION | COUNTY | TOTAL SHEETS | SHEET NO. |
| 22 | 135W-2; RS-5 | FULTON | 282 | 168 |
| STA. | TO STA. | | | |
| FED. ROAD DIST. NO. | ILLINOIS | FED. AID PROJECT | | |



GENERAL NOTES

1. Inlet construction shall be in accordance with Section 602 of the Standard Specifications.
2. Combination Concrete Curb & Gutter shall be constructed in accordance with Section 606 of the Standard Specifications.
3. See District CADD Standard 604001-D4 for frame and grates.



All dimensions are in millimeters (Inches) unless otherwise noted.

ILLINOIS DEPARTMENT OF TRANSPORTATION
DISTRICT CADD STANDARD

INLETS, TYPE G-1

CADD STD NO. 602001-D4

SCALE NOT TO SCALE

DRAWN BY CADD
CHECKED BY

| DATE | REVISIONS | BY |
|--------|---------------------------------|------|
| 1-1-97 | RENUM. B-4.01, NEW REVISION BOX | T.P. |
| 10-99 | REVISION TO GENERAL NOTES | J.A. |
| 2-00 | REVISION TO DESIGNER NOTES | J.A. |
| | | |
| | | |
| | | |