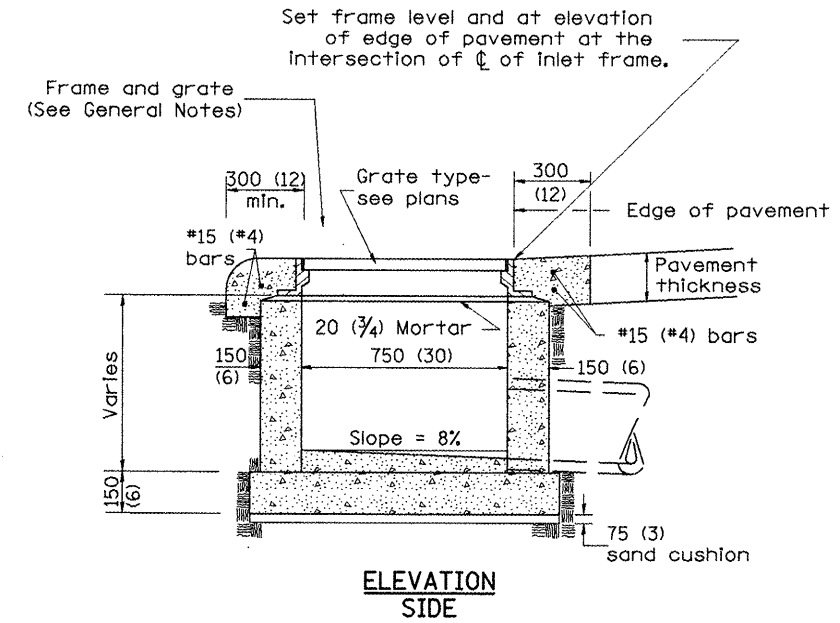
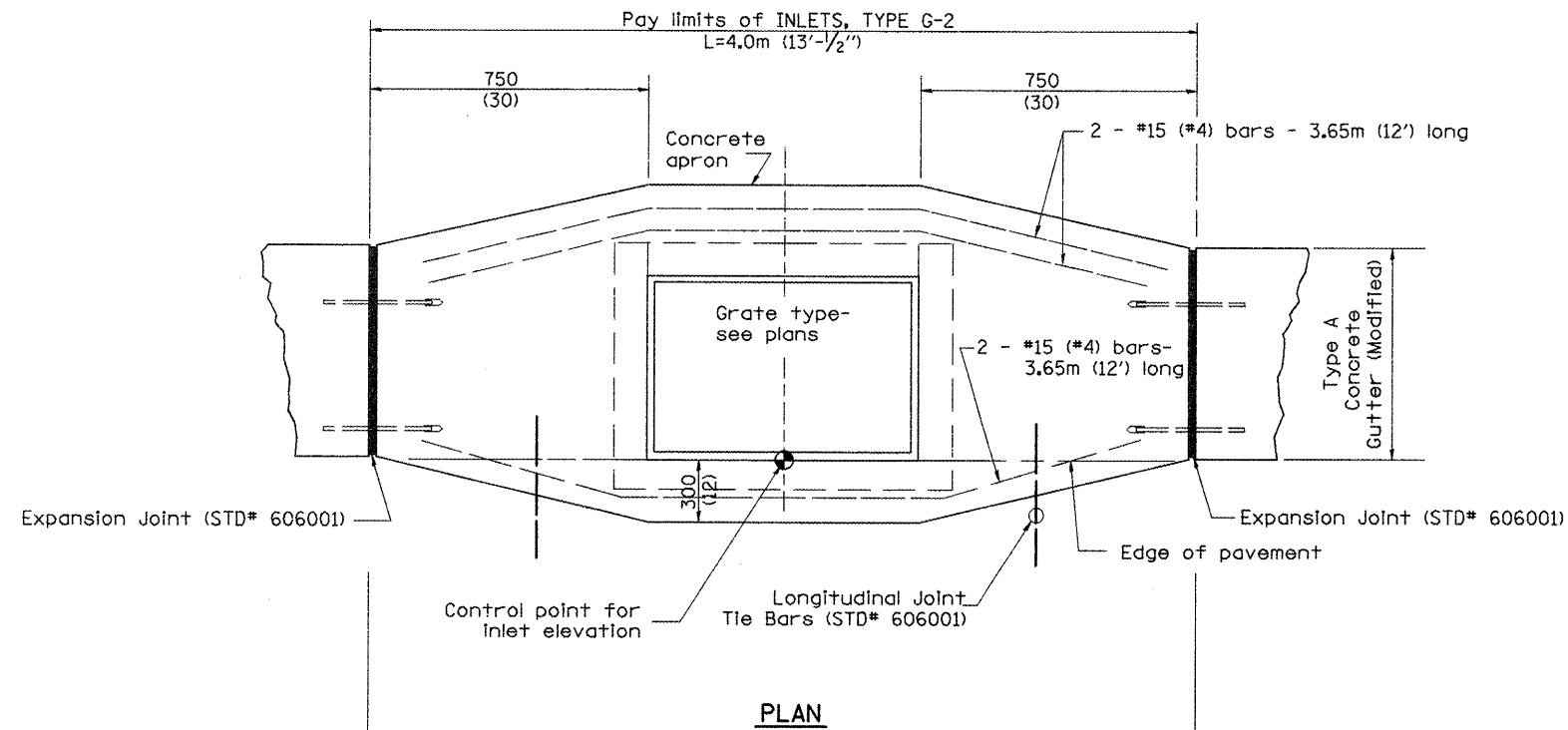
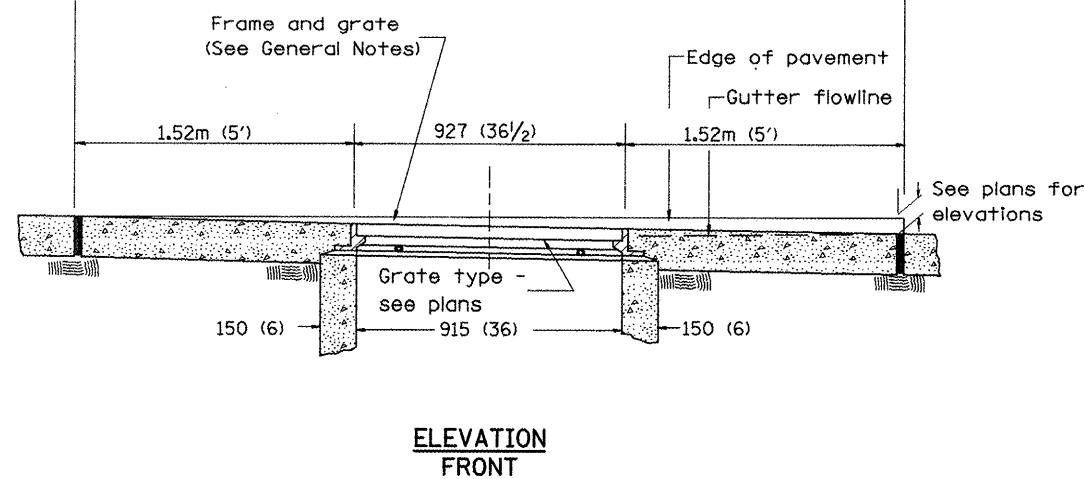


F.A.P. RTE.	SECTION	COUNTY	TOTAL SHEETS	SHEET NO.
22	135W-2; RS-5	FULTON	282	169
STA.		TO STA.		
FED. ROAD DIST. NO.	ILLINOIS	FED. AID PROJECT		



GENERAL NOTES

1. Inlet construction shall be in accordance with Section 602 of the Standard Specifications.
2. Type A Concrete Gutter (Modified) shall be constructed in accordance with Section 606 of the Standard Specifications.
3. See District CADD Standard 604002-D4 for frame and grate.



All dimensions are in millimeters (inches) unless otherwise noted.

ILLINOIS DEPARTMENT OF TRANSPORTATION  
DISTRICT CADD STANDARD

INLETS, TYPE G-2

CADD STD NO. 602002-D4  
SCALE NOT TO SCALE

DRAWN BY CADD  
CHECKED BY

DATE	REVISIONS	BY
10-99	NEW D-4 CADD STD.	J.A.
2-00	REVISION TO DESIGNER & GEN NOTES	J.A.
3-00	REMOVE REFERENCE TO FACE-OF-CURB	