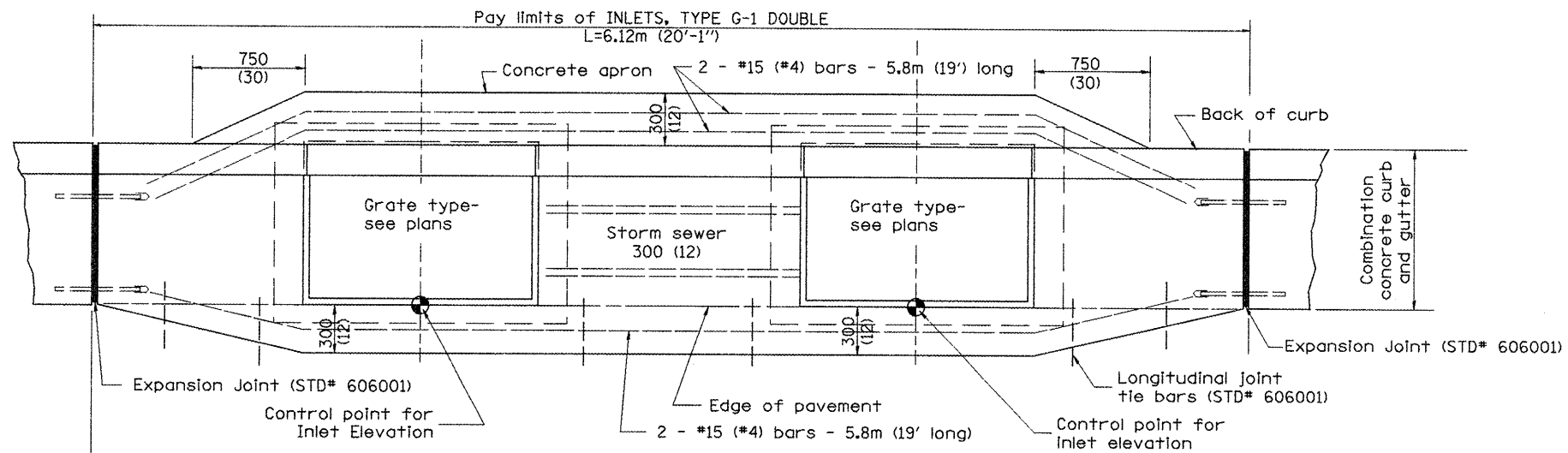
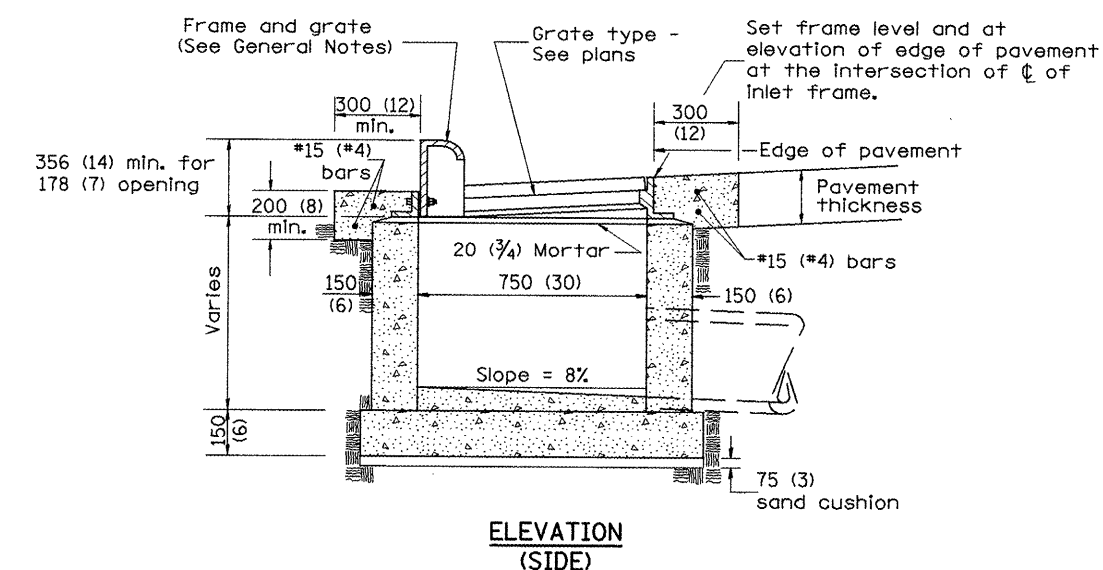


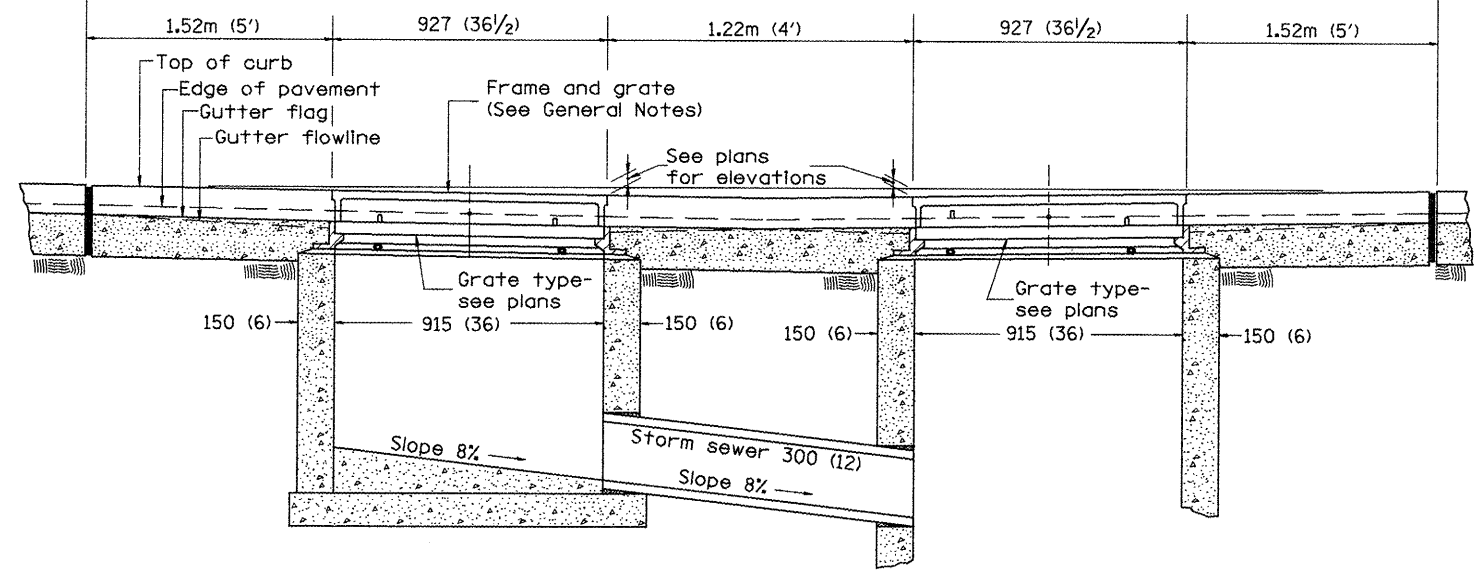
F.A.P. RTE.	SECTION	COUNTY	TOTAL SHEETS	SHEET NO.
22	135W-2; RS-5	FULTON	282	171
STA.		TO STA.		
FED. ROAD DIST. NO.		ILLINOIS FED. AID PROJECT		



PLAN



ELEVATION (SIDE)



FRONT ELEVATION

GENERAL NOTES

1. Inlet construction shall be in accordance with Section 602 of the Standard Specifications.
2. Combination Concrete Curb & Gutter shall be constructed in accordance with Section 606 of the Standard Specifications.
3. See District CADD Standard 604001-D4 for frame and grates.

All dimensions are in millimeters (inches) unless otherwise noted.

ILLINOIS DEPARTMENT OF TRANSPORTATION  
DISTRICT CADD STANDARD

INLETS, TYPE G-1 DOUBLE

DATE	REVISIONS	BY
1-1-97	RENUM. B-4.03, NEW REVISION BOX	T.P.
4-1-97	CORRECT PAVT SLOPE	J.A.
10-99	REVISION TO GENERAL NOTES	J.A.
2-00	REVISION TO DESIGNER NOTES	J.A.

CADD STANDARD 602011-D4  
SCALE NOT TO SCALE  
DRAWN BY CADD  
CHECKED BY

\$\$\$DATE\$\$\$

\*DGN-ONLY\*