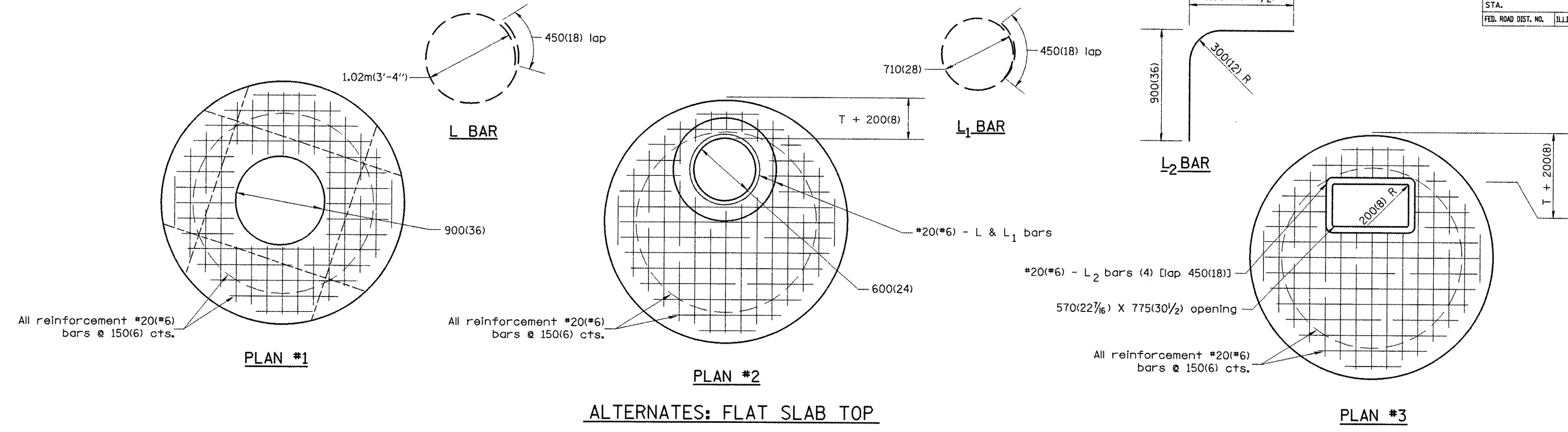
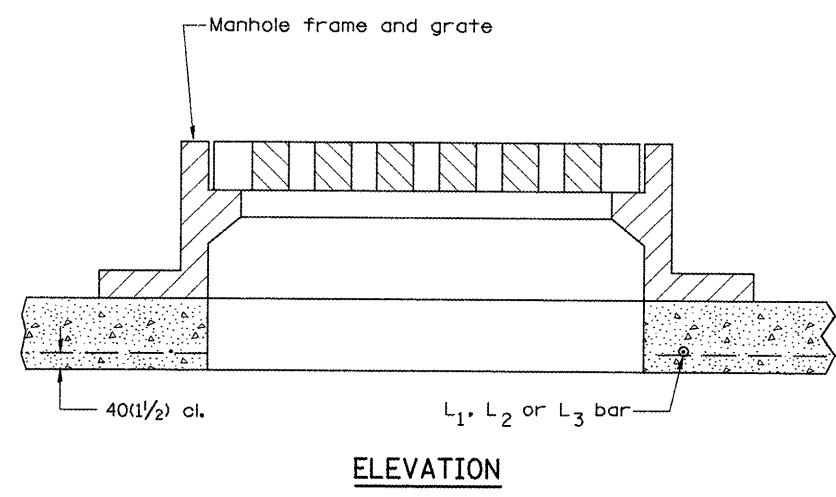
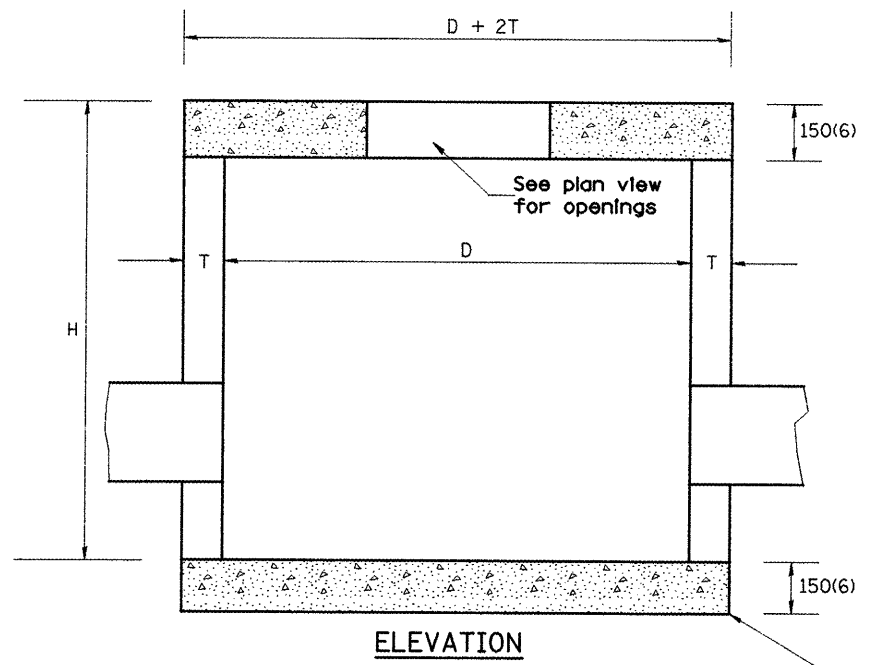


CONTRACT NO. 68114			
F.A.P. RTE.	SECTION	COUNTY	TOTAL SHEETS
22	135W-2; RS-5	FULTON	282
NO.			176
STA.	TO STA.		
FED. ROAD DIST. NO.	ILLINOIS	FED. AID PROJECT	



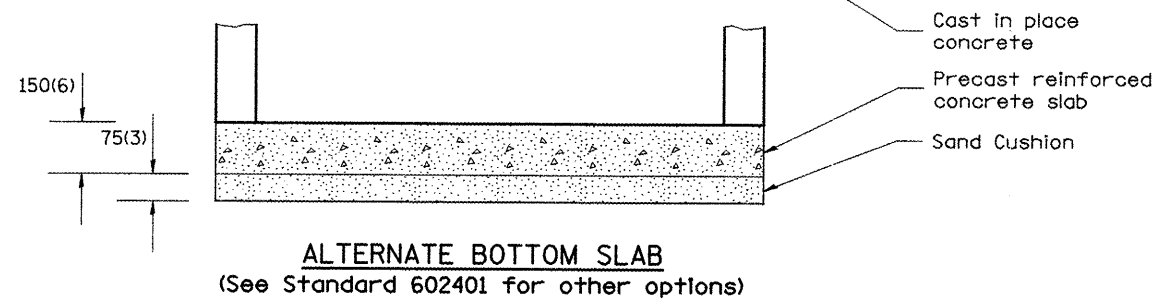
**ALTERNATES: FLAT SLAB TOP**



ALTERNATE MATERIALS FOR WALLS	D	T (min.)
CONCRETE MASONRY UNITS	1.2m (4')	125 (5)
	1.5m (5')	125 (5)
BRICK MASONRY	1.2m (4')	200 (8)
	1.5m (5')	200 (8)
PRECAST REINFORCED CONCRETE RISERS	1.2m (4')	100 (4)
	1.5m (5')	125 (5)
CAST-IN-PLACE CONCRETE	1.2m (4')	150 (6)
	1.5m (5')	150 (6)

**NOTES**

1. Manhole construction shall be in accordance with Section 602 of the Standard Specifications.
2. See Standards 602401 and 602406 for invert details and optional construction details.
3. See Standards 602701 for cast iron steps.



All dimensions are in millimeters (inches) unless otherwise noted.

ILLINOIS DEPARTMENT OF TRANSPORTATION  
 DISTRICT CADD STANDARD  
**MANHOLE, SPECIAL**  
 CADD STANDARD 602501-D4  
 SCALE NOT TO SCALE  
 DRAWN BY CADD  
 CHECKED BY

DATE	REVISIONS	BY
1-1-97	RENUM. B-6.03, NEW REVISION BOX	T.P.

\$\$\$DATE\$\$\$

\*DGN-ONLY\*