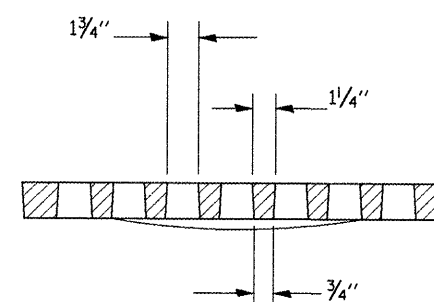
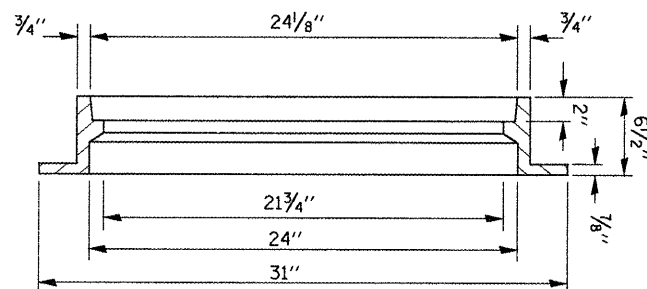
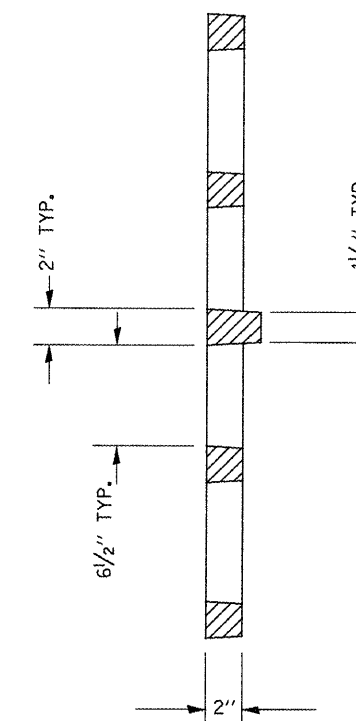
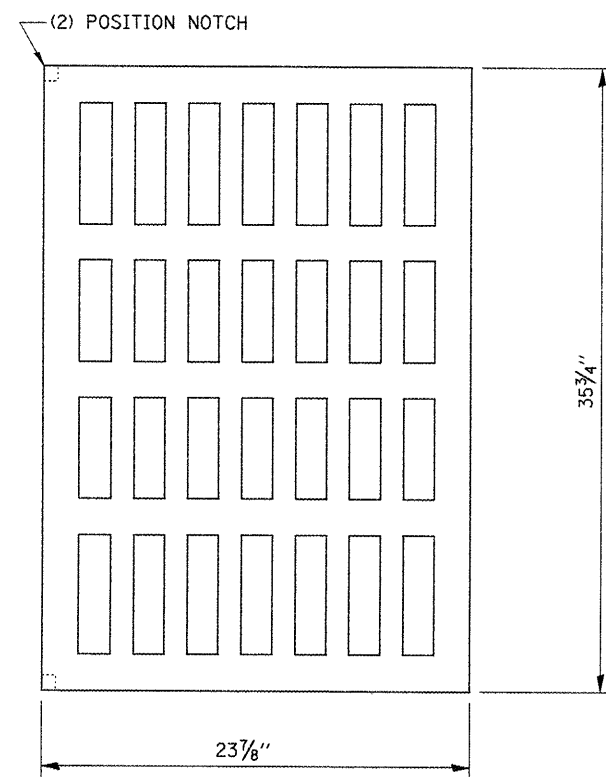
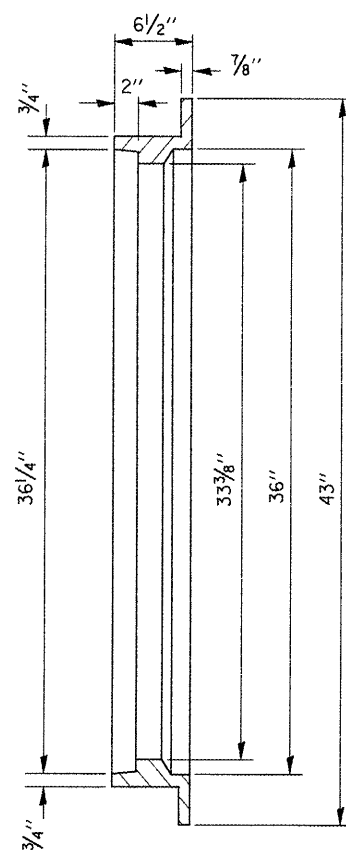
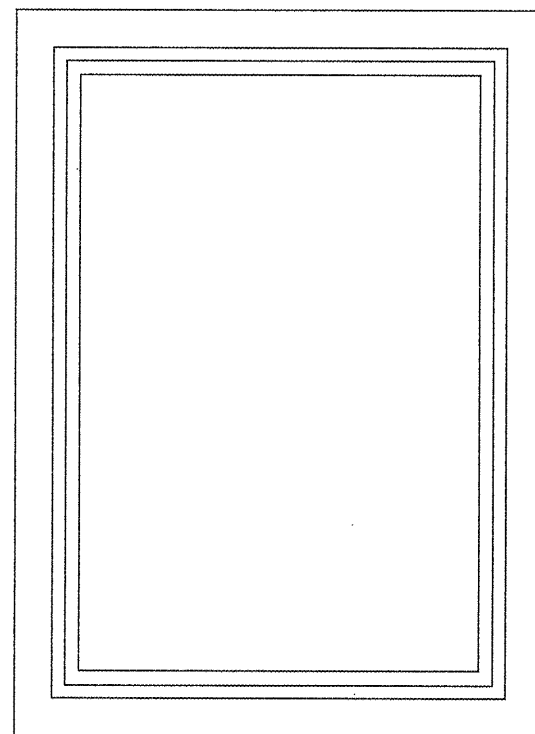


F.A.P. RTE.	SECTION	COUNTY	TOTAL SHEETS	SHEET NO.
22	135W-2; RS-5	FULTON	282	178
STA.		TO STA.		
FED. ROAD DIST. NO.	ILLINOIS	FED. AID PROJECT		



\$\$\$DATE\$\$\$

DATE	REVISIONS	BY
10-99	NEW STANDARD	J.A.
2-00	ADD NOTE & DESIGNER NOTES	J.A.

ILLINOIS DEPARTMENT OF TRANSPORTATION
 DISTRICT CADD STANDARD
 FRAME AND GRATES FOR
 TYPE G-2
 DRAINAGE STRUCTURES
 CADD STANDARD 604002-D4
 SCALE NOT TO SCALE

DRAWN BY CADD
 CHECKED BY