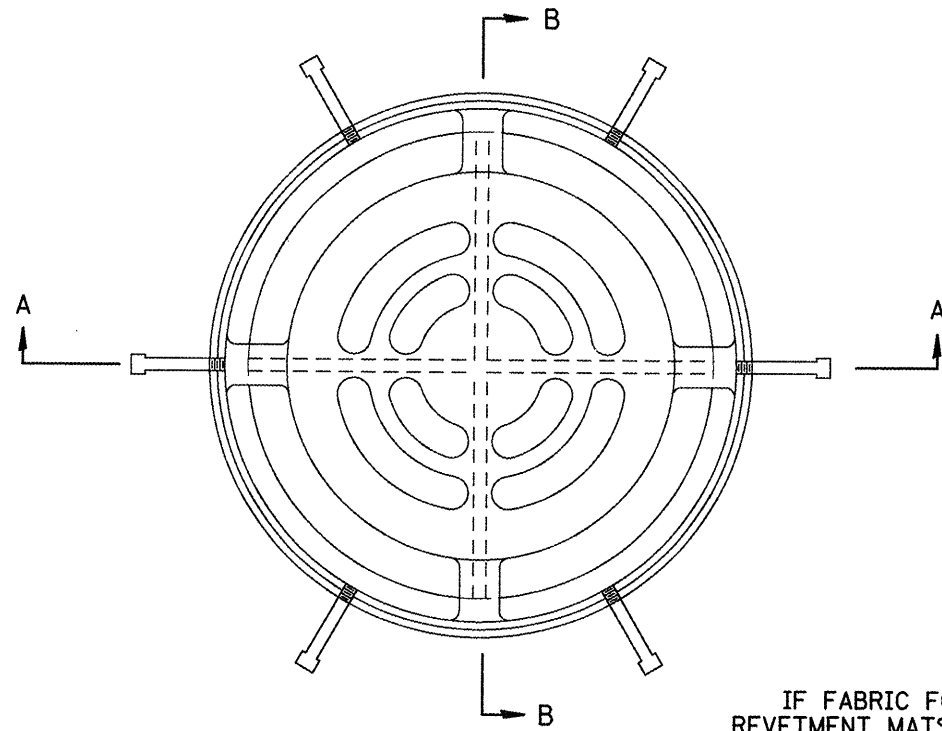
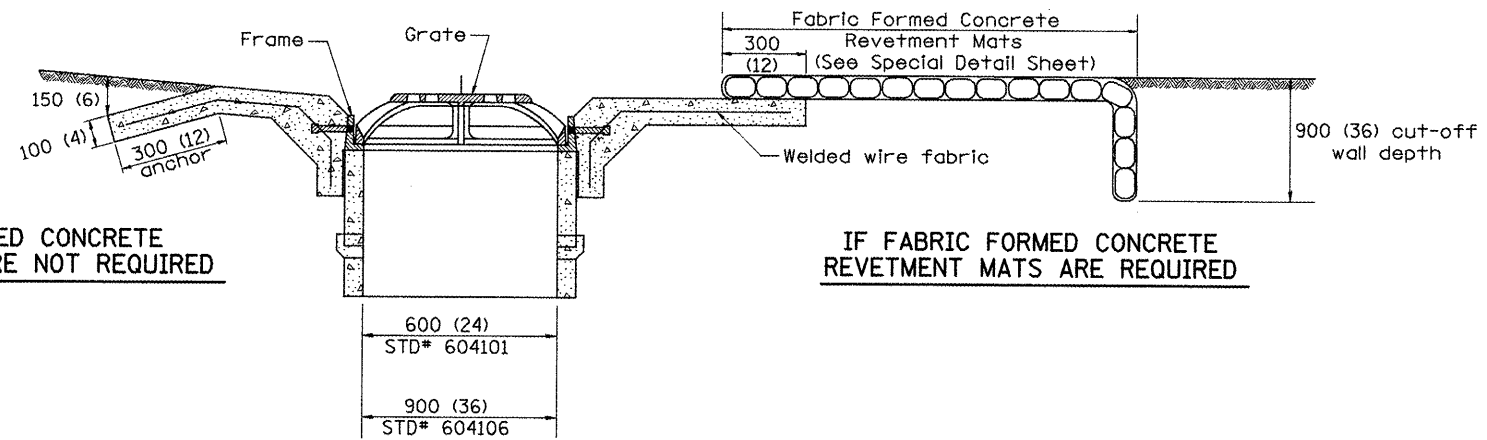


F.A.P. RTE.	SECTION	COUNTY	TOTAL SHEETS	SHEET NO.
22	135W-2; RS-5	FULTON	282	179
STA.		TO STA.		
FED. ROAD DIST. NO.		ILLINOIS FED. AID PROJECT		



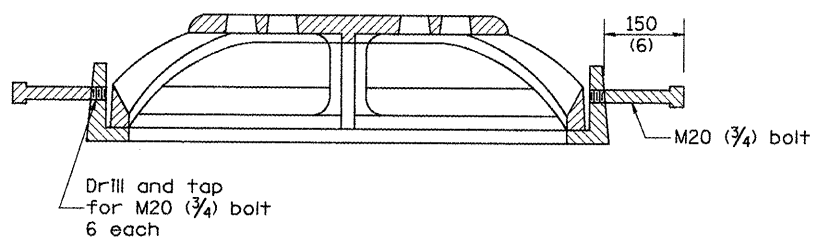
PLAN
(STD# 604101 & 604106)



IF FABRIC FORMED CONCRETE
REVTMENT MATS ARE NOT REQUIRED

IF FABRIC FORMED CONCRETE
REVTMENT MATS ARE REQUIRED

SECTION B-B
(STD# 604101 & 604106)



SECTION A-A
(STD# 604101 & 604106)

GENERAL NOTES

- The applicable portions of Highway Standards 604101 and/or 604106 shall apply, except as noted herein.

All dimensions are in millimeters
(inches) unless otherwise noted.

ILLINOIS DEPARTMENT OF TRANSPORTATION	
DISTRICT CADD STANDARD	
MEDIAN INLET (604101), SPECIAL AND MEDIAN INLET (604106), SPECIAL	
CADD STANDARD 604101-D4	DRAWN BY CADD
SCALE NOT TO SCALE	CHECKED BY

DATE	REVISIONS	BY
1-1-97	RENUM. B-4.09, NEW REVISION BOX, REVISED DESIGNER NOTES.	T.P.

\$\$\$DATE\$\$\$

DGN-ONLY