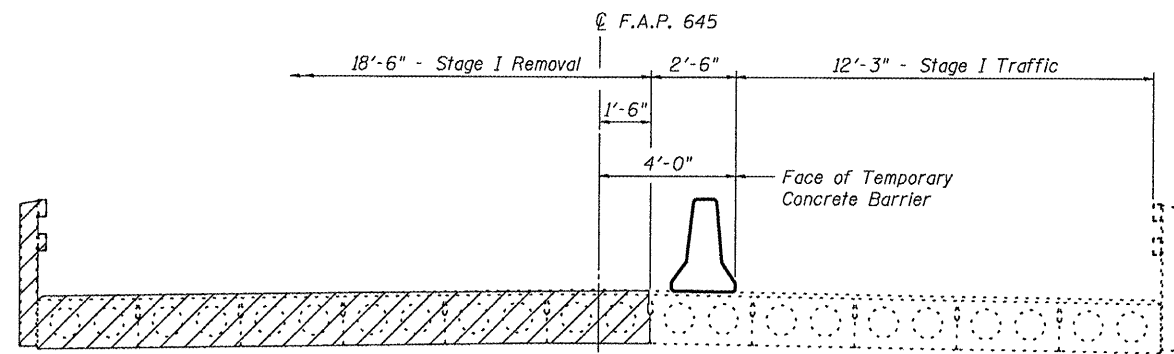


STATE OF ILLINOIS
DEPARTMENT OF TRANSPORTATION

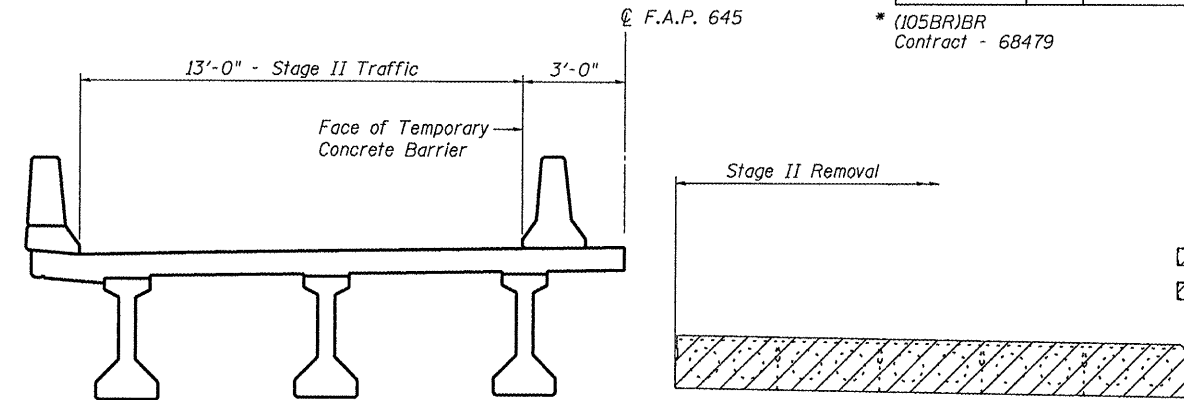
ROUTE NO.	SECTION	COUNTY	TOTAL SHEETS	SHEET NO.
F.A.P. 645	#	Marshall	71	20
FED. ROAD DIST. NO. 4		ILLINOIS	FED. AID PROJECT	

SHEET NO. 3
23 SHEETS

*(105BR)BR
Contract - 68479

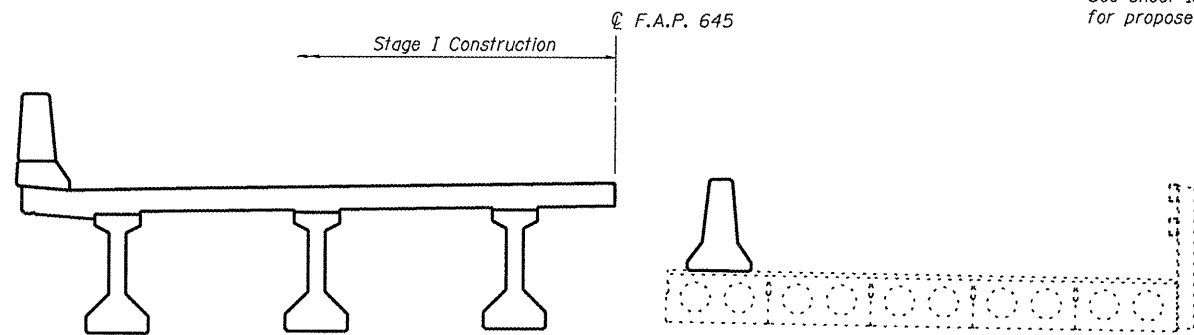


STAGE I REMOVAL

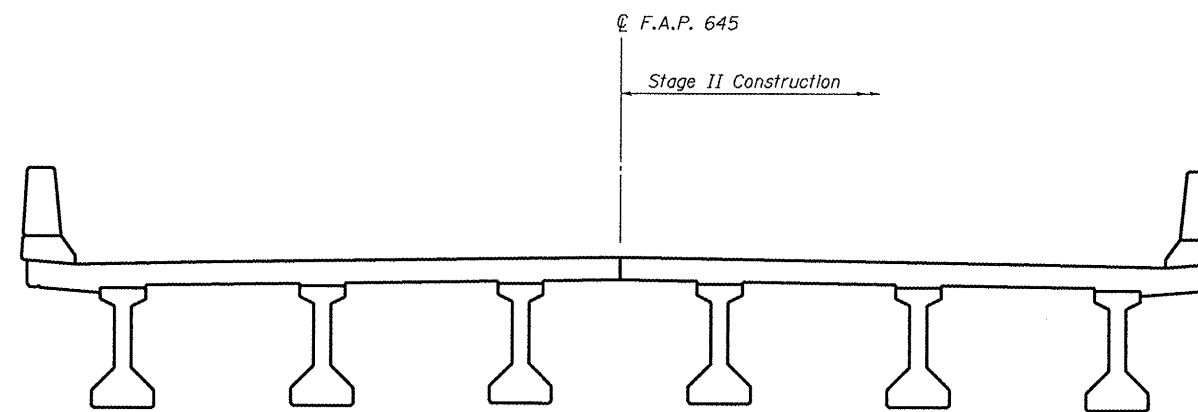


STAGE II REMOVAL

Note:
All cross sections are looking east.
See sheet 4 of 23 for Temporary Concrete Barrier details.
Hatched area indicates removal of existing structures.
For quantity of Temporary Concrete Barrier, see roadway plans.
See sheet 18 of 23 for location of stage construction line for proposed pier construction.



STAGE I CONSTRUCTION



STAGE II CONSTRUCTION

DESIGNED CEH
CHECKED CWC
DRAWN DLH
CHECKED CEH / CWC

WHKS & CO.	
ENGINEERS	PLANNERS
LAND SURVEYORS	
MASON CITY, IOWA	DUBUQUE, IOWA
E. DUBUQUE, ILLINOIS	SPRINGFIELD, ILLINOIS
ROCHESTER, MINNESOTA	

STAGE CONSTRUCTION DETAILS
IL ROUTE 17 OVER SENACHWINE CREEK
FAP ROUTE 645 - SECTION (105BR)BR
MARSHALL COUNTY
STATION 334+90.00
STRUCTURE NO. 062-0072

Operator: dhaberling

Date: 8/26/2008

Filename: L:\Jobs\DOT BBS\9956 BBS Various\Various\9956 03\CADD_Struc\062-0072 4-18-08.dgn