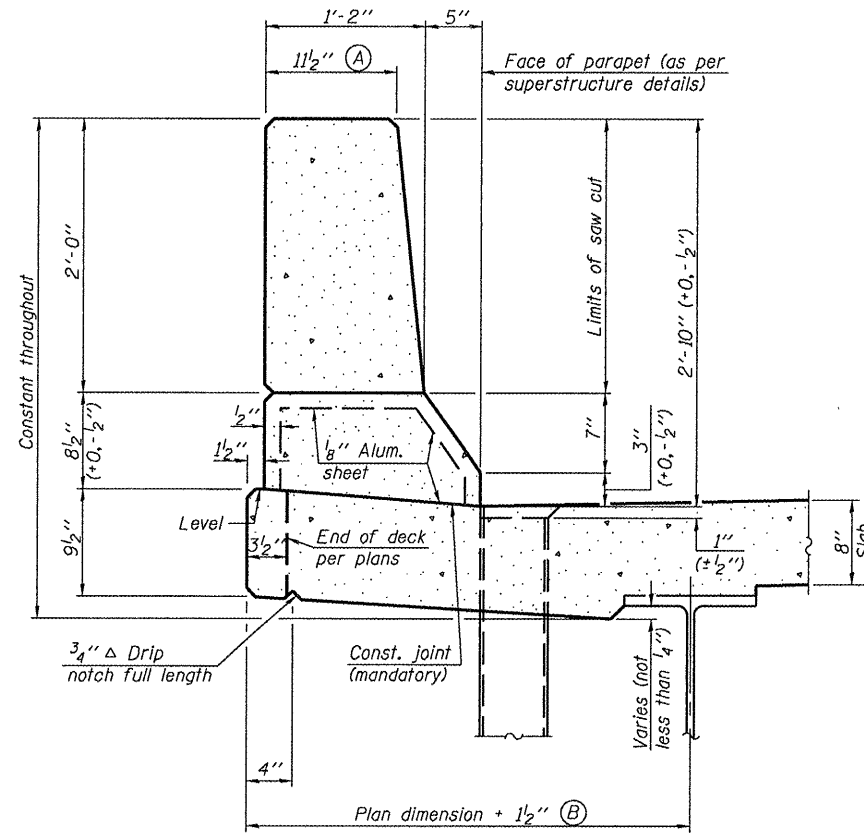


STATE OF ILLINOIS
DEPARTMENT OF TRANSPORTATION

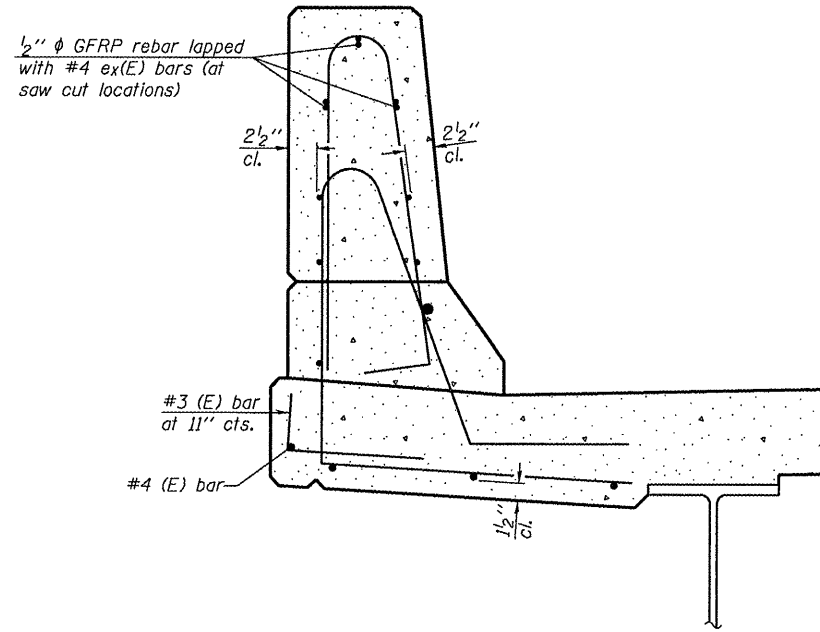
ROUTE NO.	SECTION	COUNTY	SHEET NO.	SHEET
F.A.P. 645	#	Marshall	71	23
FED. ROAD DIST. NO. 4		ILLINOIS	FED. AID PROJECT	

SHEET NO. 10A
23 SHEETS

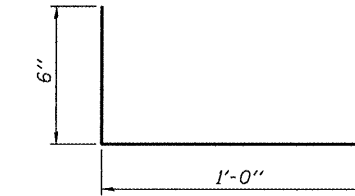
*(105BR)BR
Contract - 68479



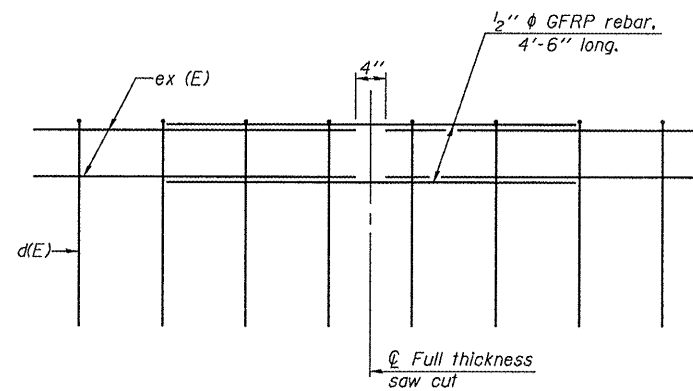
SECTION
(Showing dimensions)



SECTION
(Showing reinforcement clearances for slip forming and additional reinforcement bars)



#3 (E) BAR



GFRP REBAR STIFFENING DETAIL
(Place as shown in parapet section at each parapet joint location.)

CONCRETE PARAPET SLIPFORMING OPTION
IL ROUTE 17 OVER SENACHWINE CREEK
FAP ROUTE 645 - SECTION (105BR)BR
MARSHALL COUNTY
STATION 334+90.00
STRUCTURE NO. 062-0072

Operator: dtheberling

Date: 8/26/2008

Filename: L:\Jobs\IDOT\BBS\6956\BBS Various Various\6956.03\CADD_S\Struct\062-0072_4-18-08.dgn

DESIGNED	CEH
CHECKED	CWC
DRAWN	DLH
CHECKED	CEH / CWC

WHKS & CO.
ENGINEERS PLANNERS LAND SURVEYORS
MASON CITY, IOWA DUBUQUE, IOWA AMES, IOWA
E. DUBUQUE, ILLINOIS SPRINGFIELD, ILLINOIS ROCHESTER, MINNESOTA

SFP-34

9-3-07