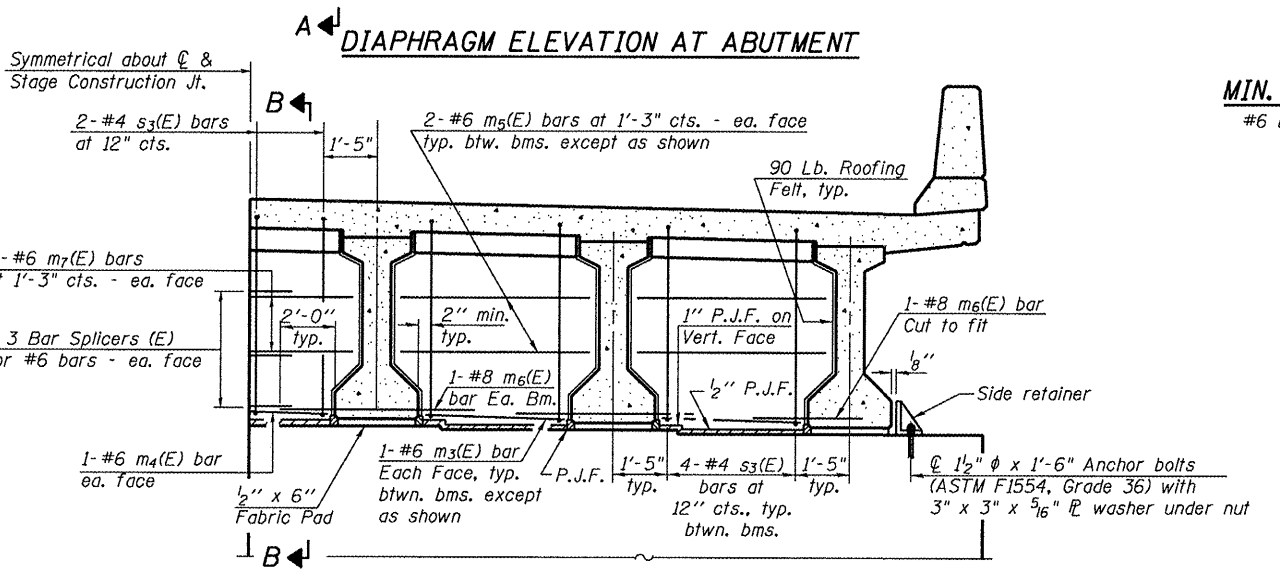
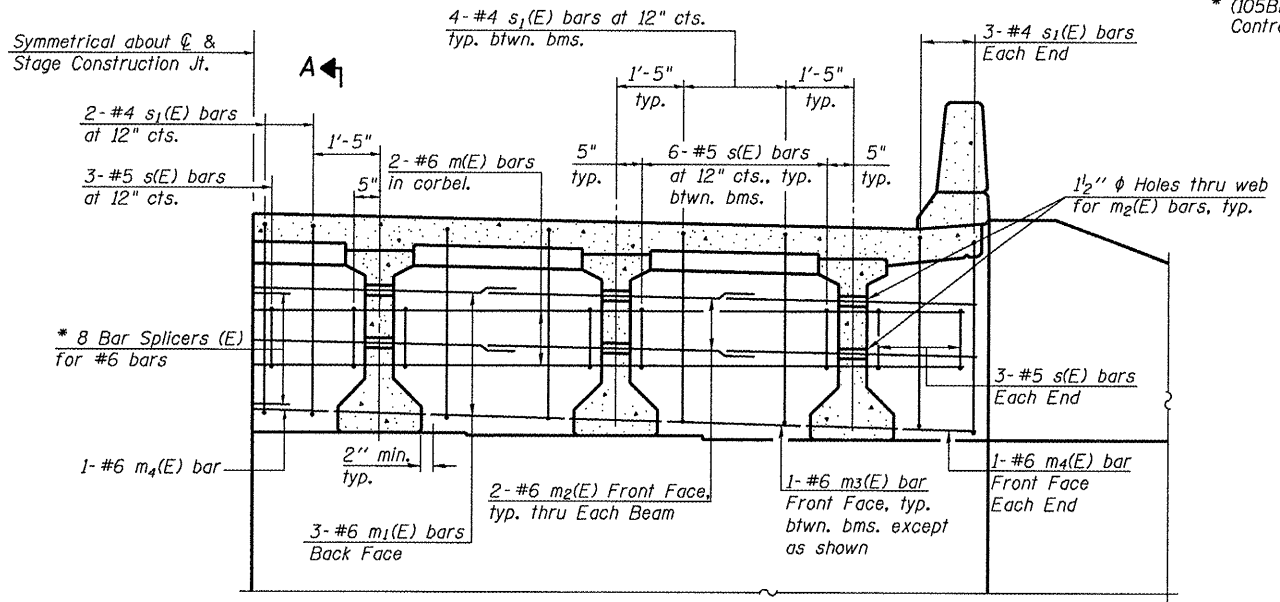


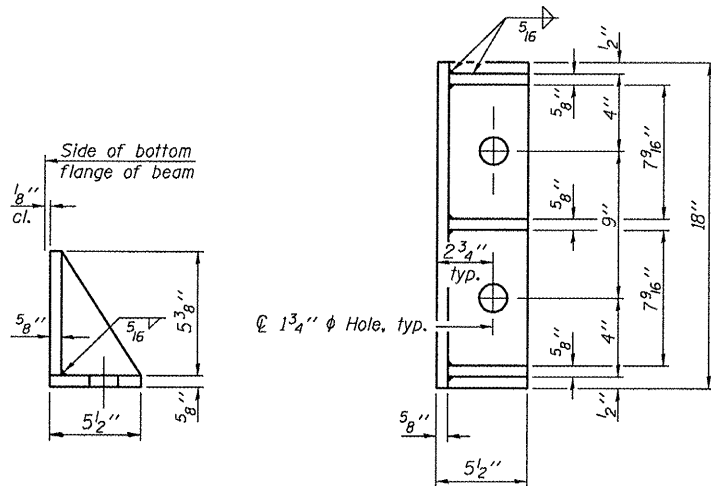
STATE OF ILLINOIS  
DEPARTMENT OF TRANSPORTATION

ROUTE NO. F.A.P. 645	SECTION •	COUNTY Marshall	SHEET NO. 71	SHEET 29	SHEET NO. 11 23 SHEETS
FED. ROAD DIST. NO. 4		ILLINOIS	FED. AID PROJECT		

\*(105BR)BR  
Contract - 68479



MIN. BAR LAP  
#6 bar = 2'-9"



**SIDE RETAINER**  
Equivalent rolled angle with stiffeners  
will be allowed in lieu of welded plates.

Notes:  
Reinforcement bars in diaphragm are billed with superstructure on sheet 10 of 23.  
Concrete in diaphragm is included with Concrete Superstructure on sheet 10 of 23.  
For details of bars s(E), s1(E) and s3(E) see sheet 10 of 23.  
The s(E), s1(E) and s3(E) bars shall be placed parallel to the beams.  
Spacing for these bars shall be at right angles to the beams.  
See sheet 12 of 23 for Sections A-A and B-B.  
Cost of 90 Lb. roofing felt is included with Concrete Superstructure.  
The side retainer shall be galvanized after shop fabrication according to AASHTO M 111.  
Anchor bolt assemblies shall be galvanized according to Article 1006.09 of the Standard Specifications.  
Anchor bolts shall be ASTM F1554 all-thread (or an Engineer-approved alternate material) of the grade(s) and diameter(s) specified. ASTM A307 Grade C anchor bolts may be used in lieu of ASTM F1554 Grade 36 (Fy=36ksi). The corresponding specified grade of AASHTO M314 anchor bolts may be used in lieu of ASTM F1554.  
Anchor bolts for side retainers may be either cast in place or installed in holes drilled after the supporting member is in place and prior to pouring the deck.  
Drilled and set anchor bolts shall be installed according to Article 521.06 of the Standard Specifications.  
Cost of side retainer and anchor bolts shall be included with Concrete Structures.  
See sheet 19 of 23 for bar splicer details.

DESIGNED	CEH
CHECKED	CWC
DRAWN	DLH
CHECKED	CEH / CWC

**WHKS & CO.**  
ENGINEERS PLANNERS LAND SURVEYORS  
MASON CITY, IOWA DUBUQUE, IOWA AMES, IOWA  
E. DUBUQUE, ILLINOIS SPRINGFIELD, ILLINOIS ROCHESTER, MINNESOTA

**DIAPHRAGM DETAILS**  
IL ROUTE 17 OVER SENACHWINE CREEK  
FAP ROUTE 645 - SECTION (105BR)BR  
MARSHALL COUNTY  
STATION 334+90.00  
STRUCTURE NO. 062-0072

Operator: dheberling Date: 8/26/2008 Filename: L:\Jobs\IDOT BBS\6956 BBS Various\062-0072 4-18-08.dgn