

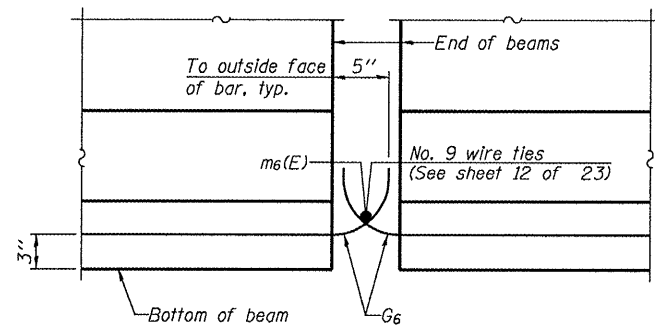
STATE OF ILLINOIS
DEPARTMENT OF TRANSPORTATION

ROUTE NO.	SECTION	COUNTY	SHEET NO.	SHEET NO.
F.A.P. 645	*	Marshall	71	33
FED. ROAD DIST. NO. 4		ILLINOIS	FED. AID PROJECT	

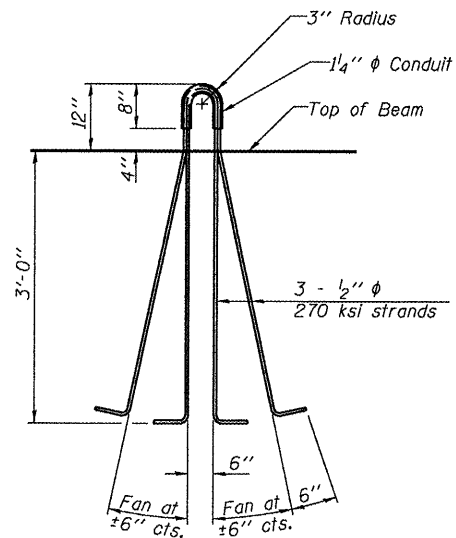
*(105BR)BR
Contract - 68479

NOTES

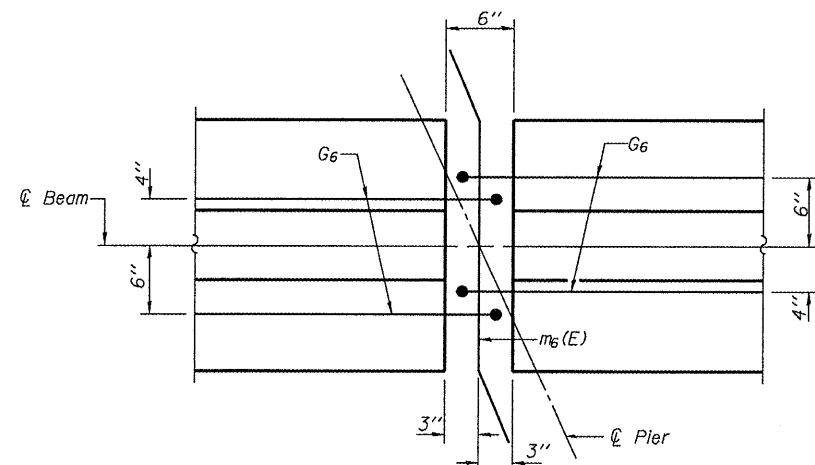
Inserts for $\frac{3}{4}$ " ϕ threaded dowel rods, when specified, are to be two strut, coil type for interior beams and single coil, flared loop type for exterior beams.
 Prestressing steel shall be uncoated high strength, low relaxation 7-wire strand, Grade 270.
 The nominal diameter shall be $\frac{1}{2}$ " and the nominal cross-sectional area shall be 0.153 sq. in.
 Non-prestressing steel shall conform to ASTM A 706 (IL MOD), Grade 60.
 A minimum $2\frac{1}{2}$ " ϕ lifting pin shall be used to engage the lifting loops during handling.
 Cut G_6 bars when necessary to maintain $1\frac{1}{2}$ " clearance.
 The top and bottom plates shall be AASHTO M270 Grade 50.
 The bottom plates and studs shall be galvanized according to AASHTO M11.
 Threaded rods shall be ASTM F 1554 Grade 55.



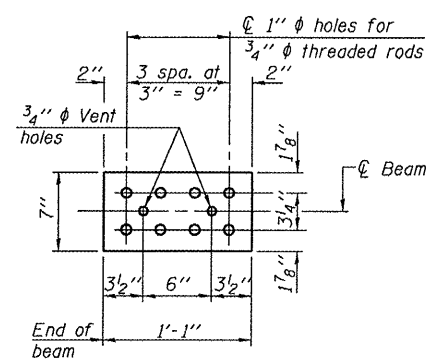
ELEVATION OF BEAM AT PIER



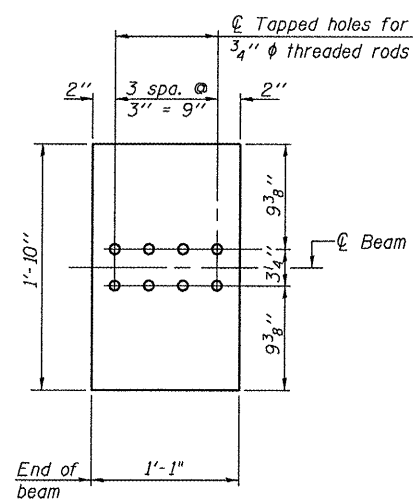
LIFTING LOOP DETAIL



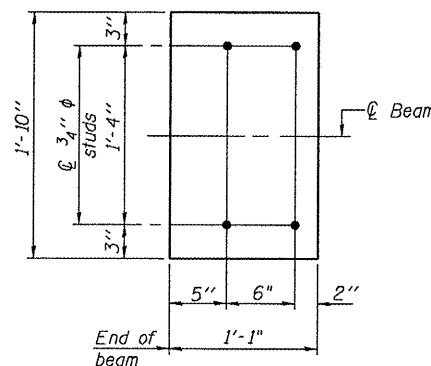
PLAN OF BEAM AT PIER



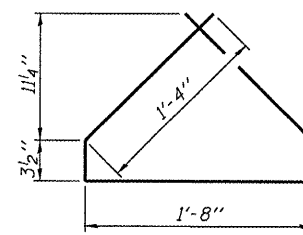
TOP PLATE



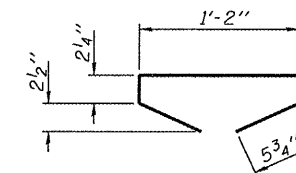
BOTTOM PLATE
(Showing threaded rods)



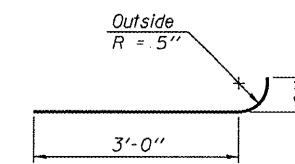
BOTTOM PLATE
(Showing studs)



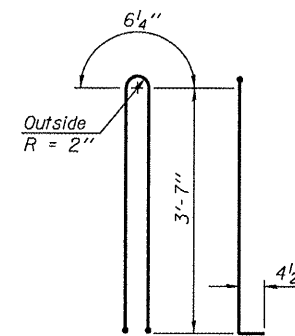
BAR G4



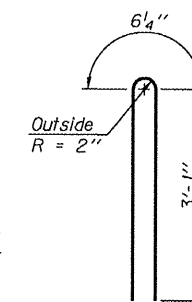
BAR G5



BAR G6



BAR G1



BAR G2

BILL OF MATERIAL

Item	Unit	Total
Furnishing and Erecting Precast Prestressed Concrete I-Beams, 42"	Ft.	826.5

42" PPC I-BEAM DETAILS
IL ROUTE 17 OVER SENACHWINE CREEK
FAP ROUTE 645 - SECTION (105BR)BR
MARSHALL COUNTY
STATION 334+90.00
STRUCTURE NO. 062-0072

Operator: dthebarfing

Date: 8/26/2008

Filename: L:\Jobs\DOT BBS\6956 BBS Various\Various\6956.03\CADD_Struct\062-0072_4-18-08.dgn

DESIGNED	CEH
CHECKED	CWC
DRAWN	DLH
CHECKED	CEH / CWC

WHKS & CO.
 ENGINEERS PLANNERS LAND SURVEYORS
 MASON CITY, IOWA DUBUQUE, IOWA AMES, IOWA
 E. DUBUQUE, ILLINOIS SPRINGFIELD, ILLINOIS ROCHESTER, MINNESOTA

PI-4-42D

9-3-07