

STATE OF ILLINOIS
DEPARTMENT OF TRANSPORTATION

ROUTE NO.	SECTION	COUNTY	SHEET NO.	SHEET NO.
F.A.P. 698	126BR	WOODFORD	56	17
FED. ROAD DIST. NO. 7	ILLINOIS	FED. AID PROJECT		

Contract # 68576

GENERAL NOTES

1. Reinforcement bars shall conform to the requirements of ASTM A 706 Gr 60 (IL Modified). See Special Provisions.
2. Reinforcement bars designated (E) shall be epoxy coated.
3. Layout of the slope protection system may be varied to suit ground conditions in the field as directed by the Engineer.
4. The Contractor shall drive test piles to 110% of the nominal required bearing specified in production locations at substructures specified or approved by the Engineer before ordering the remainder of piles.

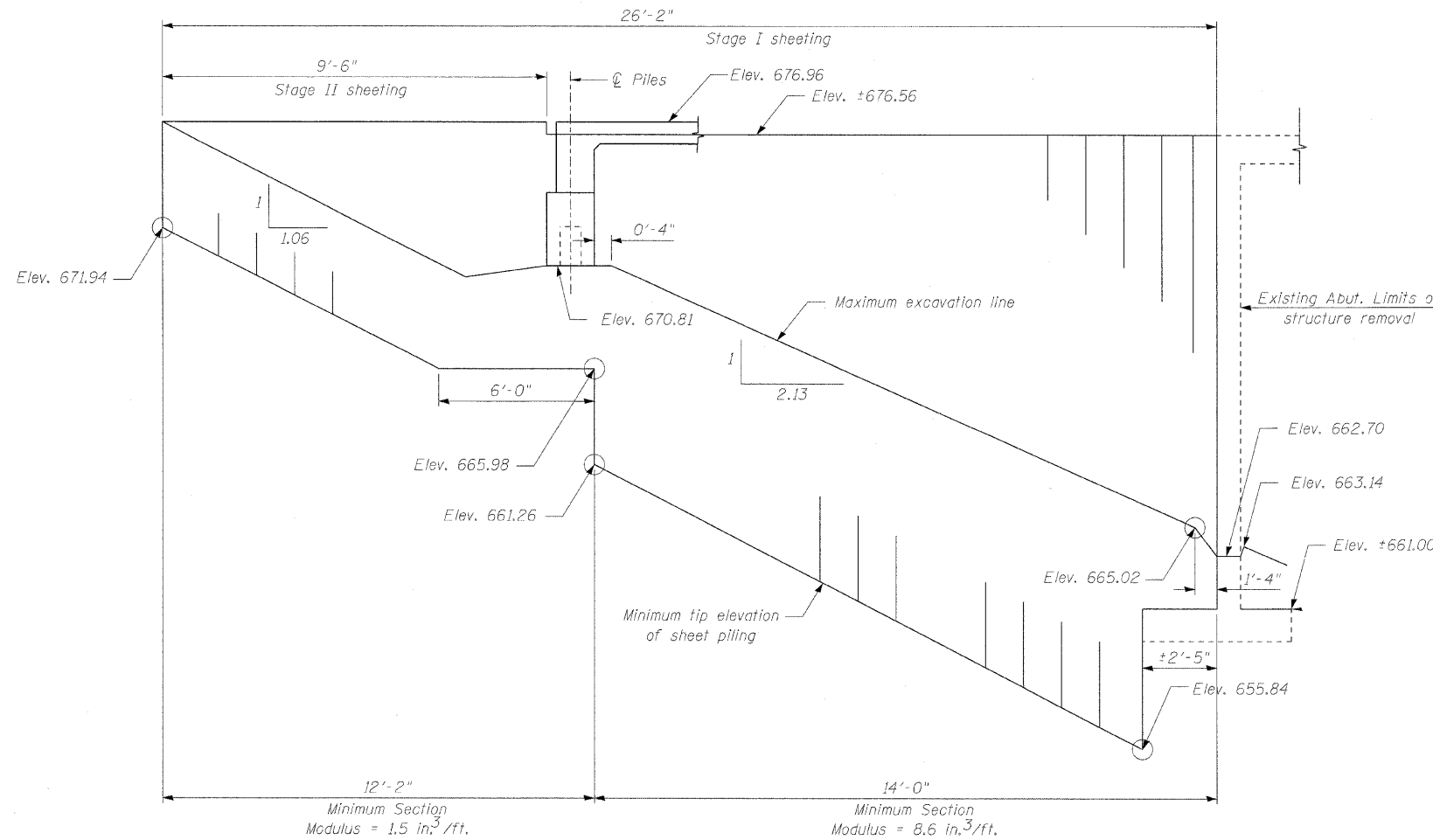
If the Contractor chooses to alter the temporary cantilevered sheet piling design requirements shown on the plans, a design submittal including plan details and calculations will be required for review and acceptance by the Engineer.

The Contractor shall connect the first sheet to the existing abutment wall to ensure stability of sheets driven to the top of the existing footing. This connection shall be reviewed and accepted by the Engineer and included in the cost for Temporary Sheet Piling.

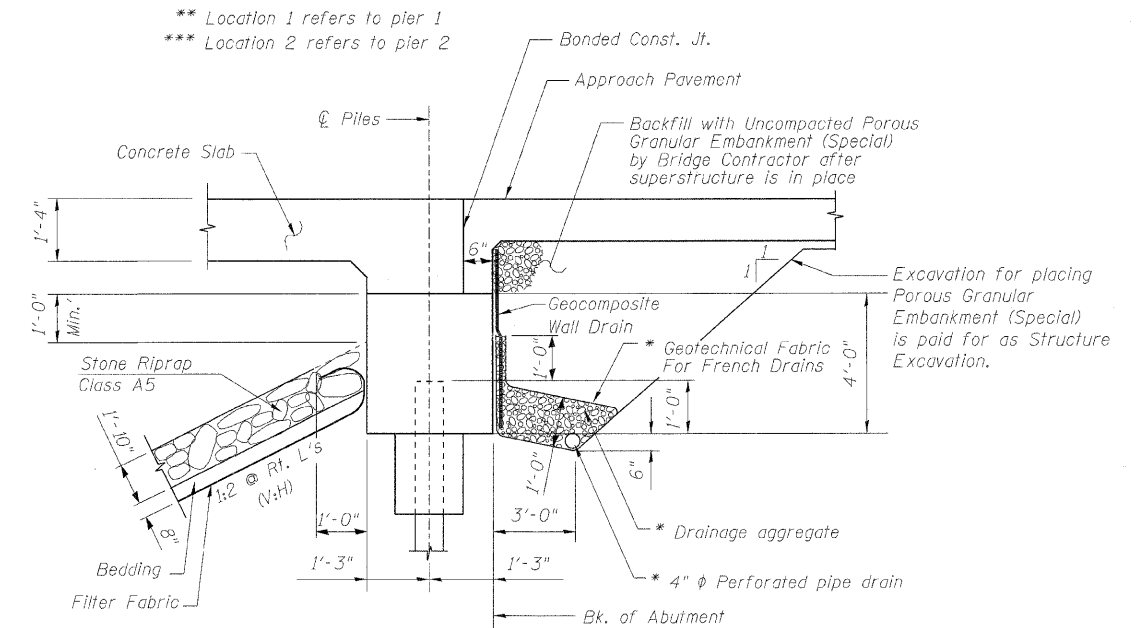
Hard driving may be encountered during the sheet piling installation. The contractor shall provide the appropriate driving equipment for the soil conditions indicated on the boring logs.

TOTAL BILL OF MATERIAL

Item	Unit	Super	Sub	Total
Porous Granular Embankment (Special)	Cu. Yd.		111	111
Stone Riprap, class A5	Sq. Yd.		800	800
Filter fabric	Sq. Yd.		970	970
Removal of Existing Structures	Each		1	1
Structure Excavation	Cu. Yd.		362	362
Driving Piles	Foot		1625	1625
Geocomposite Wall Drain	Sq. Yd.		250	250
Pipe Underdrains for Structures 4"	Foot		147	147
Concrete Structures	Cu. Yd.		132.6	132.6
Concrete Superstructure	Cu. Yd.	206.3		206.3
Bridge Deck Grooving	Sq. Yd.	250		250
Protective Coat	Sq. Yd.	470		470
Reinforcement Bars, Epoxy Coated	Pound	33900	12500	46400
Furnishing Steel Piles HP12x63	Foot		1625	1625
Test Pile steel HP 12x63	Each		2	2
Name Plates	Each	1		1
** Underwater Structure Excavation Protection-Location 1	Each		1	1
*** Underwater Structure Excavation Protection-Location 2	Each		1	1
Concrete Bridge Railing, Sidewalk mounted	Foot	161		161
Bar Splicers	Each	127	86	213
Temporary Sheet Piling	Sq. Ft.		726	726
Concrete Encasement	Cu. Yd.		12.2	12.2
Temporary Support System	L. Sum.		1	1



TEMPORARY SHEET PILING
(Typical)



* Include in the cost of Pipe Underdrains for Structures.

All drainage system components shall extend to 2'-0" from the end of each wingwall except an outlet pipe shall extend until intersection with the side slopes. The pipes shall drain into concrete headwalls. (See Article 601.05 of the Standard Specifications and Highway Standard 601101)

SECTION THRU ABUTMENT

DESIGNED	KRG
CHECKED	MJK
DRAWN	GSJ
CHECKED	MJK

GENERAL NOTES
TOTAL BILL OF MATERIAL & TEMPORARY SHEET PILING
IL. ROUTE 89 OVER SNAG CREEK
F.A.P. ROUTE 698 SEC. 126BR
WOODFORD COUNTY STATION 521+52.42
STRUCTURE NO. 102-0082