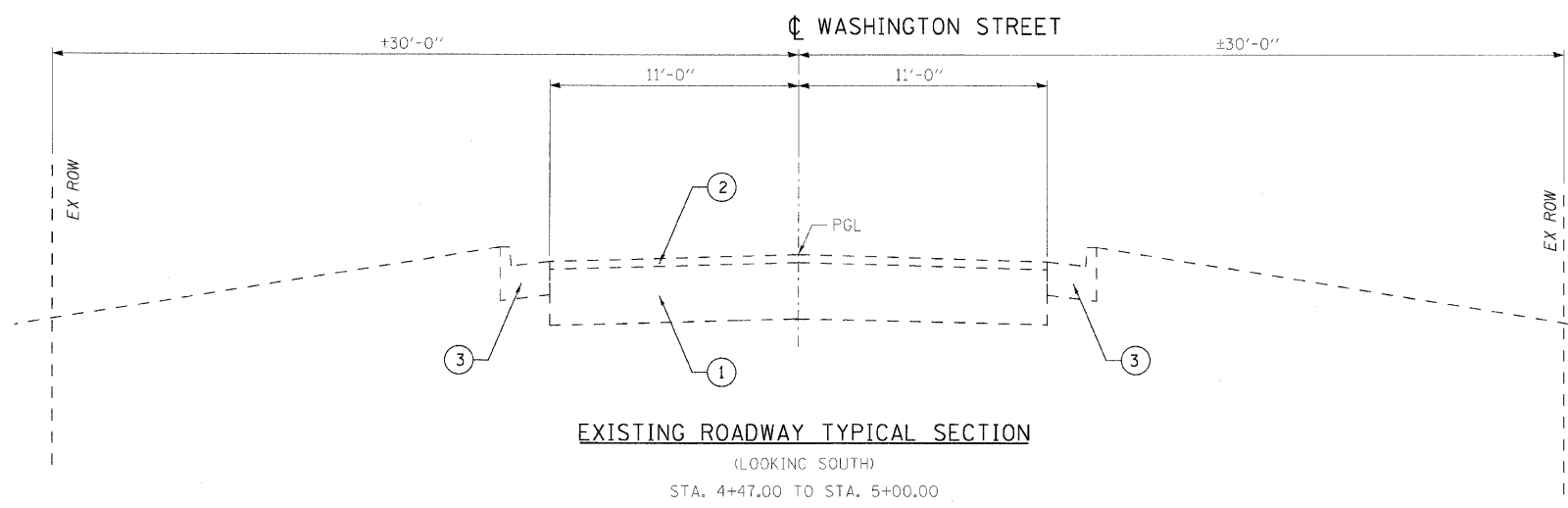
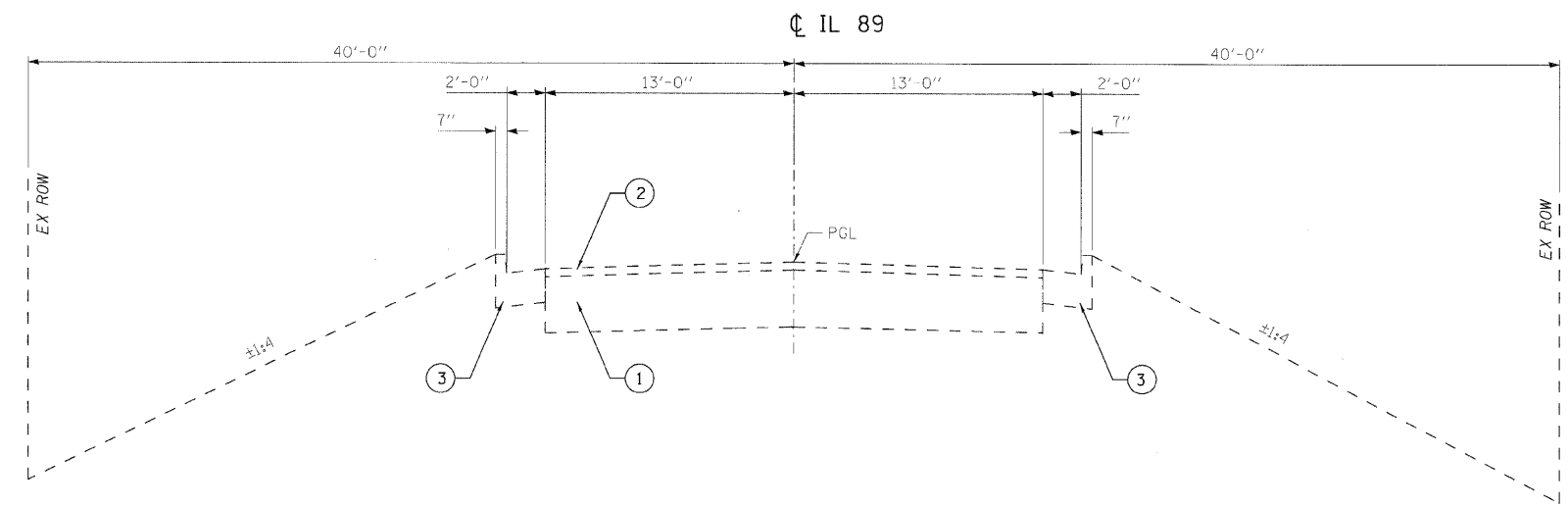


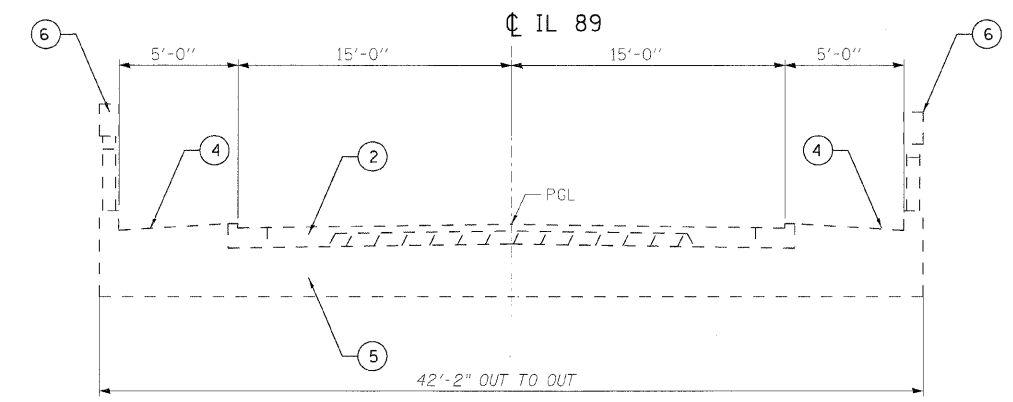
F.A.P. RTE.	SECTION	COUNTY	TOTAL SHEETS	SHEET NO.
698	126BR	WOODFORD	56	5
STA. 519+62.00		TO STA. 523+13.00		
FED. ROAD DIST. NO. 4		ILLINOIS FED. AID PROJECT		



EXISTING ROADWAY TYPICAL SECTION
(LOOKING SOUTH)
STA. 4+47.00 TO STA. 5+00.00



EXISTING ROADWAY TYPICAL SECTION
(LOOKING WEST)
STA. 519+62.00 TO STA. 521+26.98
STA. 521+77.86 TO STA. 523+13.00



EXISTING BRIDGE TYPICAL SECTION
(LOOKING WEST)
EXISTING BRIDGE (SN 102-0029)
FROM STA. 521+26.98 TO STA. 521+77.86

EXISTING LEGEND

- ① EXISTING CONCRETE PAVEMENT
- ② EXISTING HOT-MIX ASPHALT OVERLAY
- ③ EXISTING CURB & GUTTER B-6.24
- ④ EXISTING SIDEWALK, 4" CURB
- ⑤ EXISTING BRIDGE DECK
- ⑥ EXISTING CONCRETE BRIDGE RAIL

REVISIONS	
NAME	DATE

ILLINOIS DEPARTMENT OF TRANSPORTATION
TYPICAL SECTIONS; EXISTING
F.A.P. 698
SECTION 126BR
WOODFORD COUNTY
SCALE: VERT. DRAWN BY : GSJ
 HORIZ. CHECKED BY : KRG
DATE : 10/31/07

PLOT DATE * DATE *
FILE NAME * FILE *
PLOT SCALE * SCALE *
USER NAME * USER *