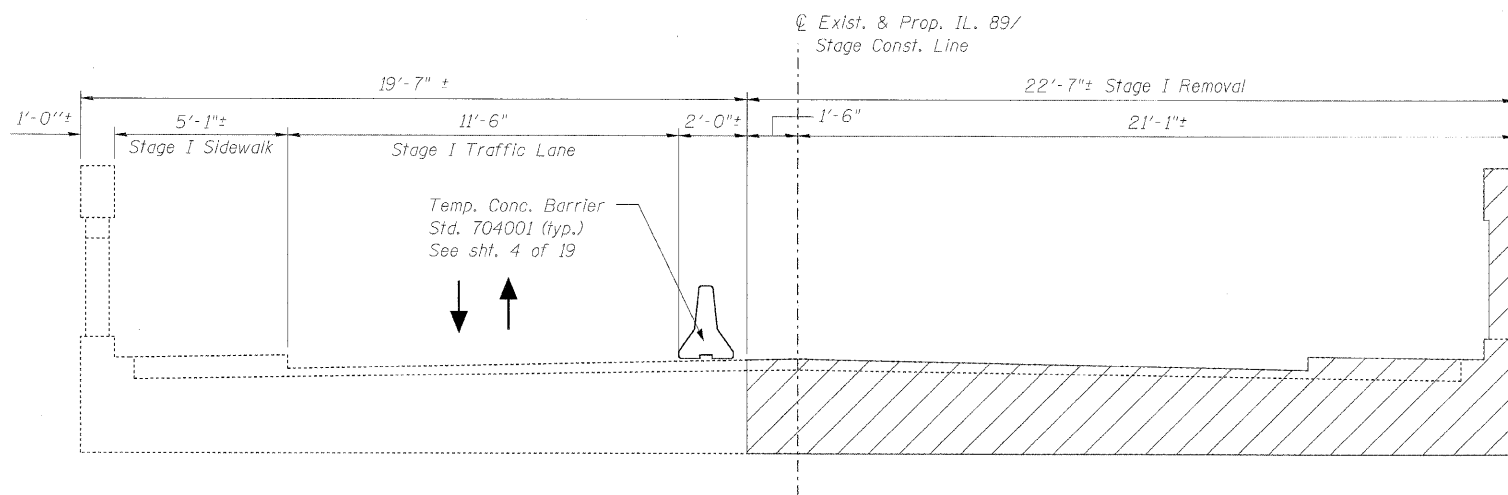


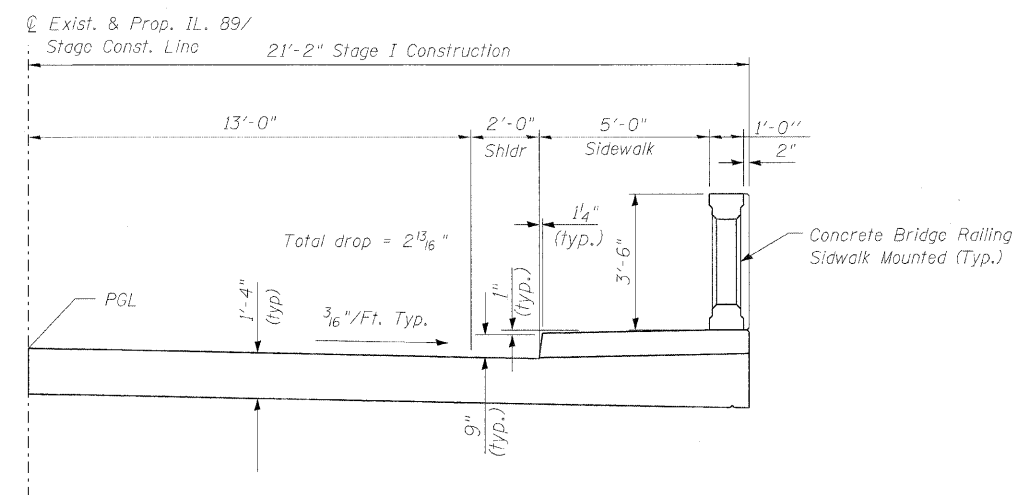
STATE OF ILLINOIS
DEPARTMENT OF TRANSPORTATION

ROUTE NO.	SECTION	COUNTY	TOTAL SHEETS	SHEET NO.	SHEET NO. 3 19 SHEETS
F.A.P. 698	126BR	WOODFORD	56	18	
FED. ROAD DIST. NO. 7	ILLINOIS	FED. AID PROJECT			

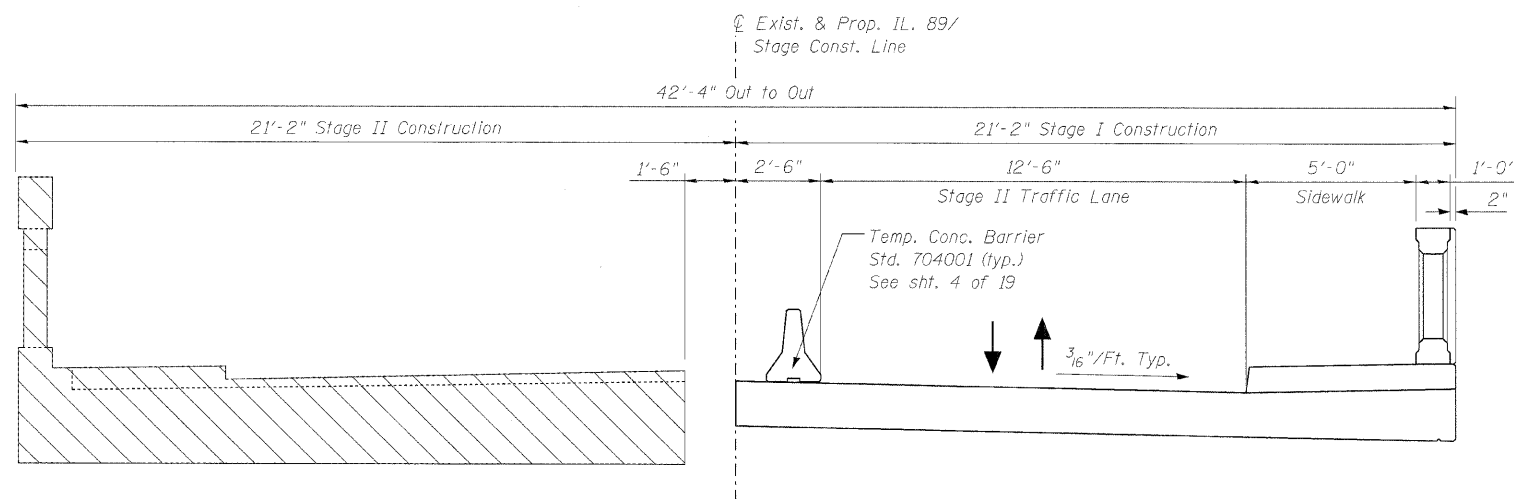
Contract # 68576



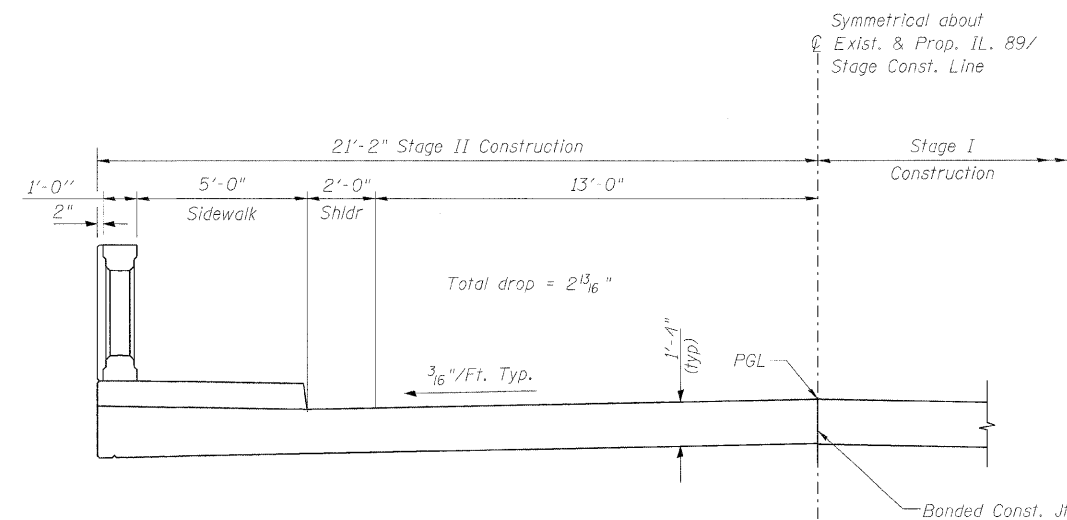
STAGE I REMOVAL
(Looking West)



STAGE I CONSTRUCTION
(Looking West)



STAGE II REMOVAL
(Looking West)



STAGE II CONSTRUCTION
(Looking West)

NOTES:

- Hatched area indicates removal of existing structure.
- Removal of Existing concrete Bridge Rail is included in item "Removal of Existing Structures".
- For stage removal and strengthening of partially removed existing substructure units see sht. 13 of 19.
- For quantity of "Temporary Concrete Barrier" See Roadway plans.

DESIGNED	KRG
CHECKED	MJK
DRAWN	GSJ
CHECKED	MJK

STAGE CONSTRUCTION DETAILS
IL. ROUTE 89 OVER SNAG CREEK
F.A.P. ROUTE 698 SEC. 126BR
WOODFORD COUNTY STATION 521+52.42
STRUCTURE NO. 102-0082