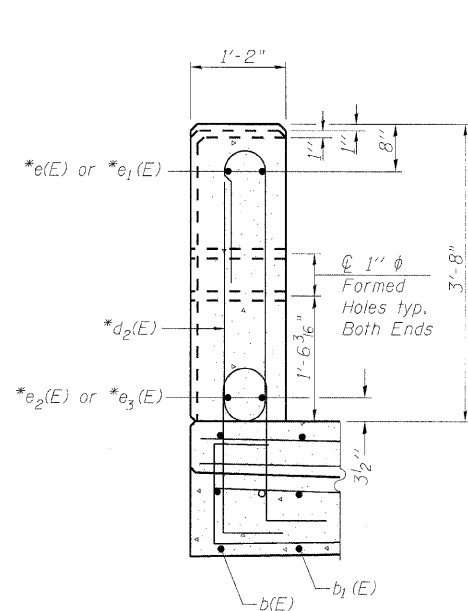
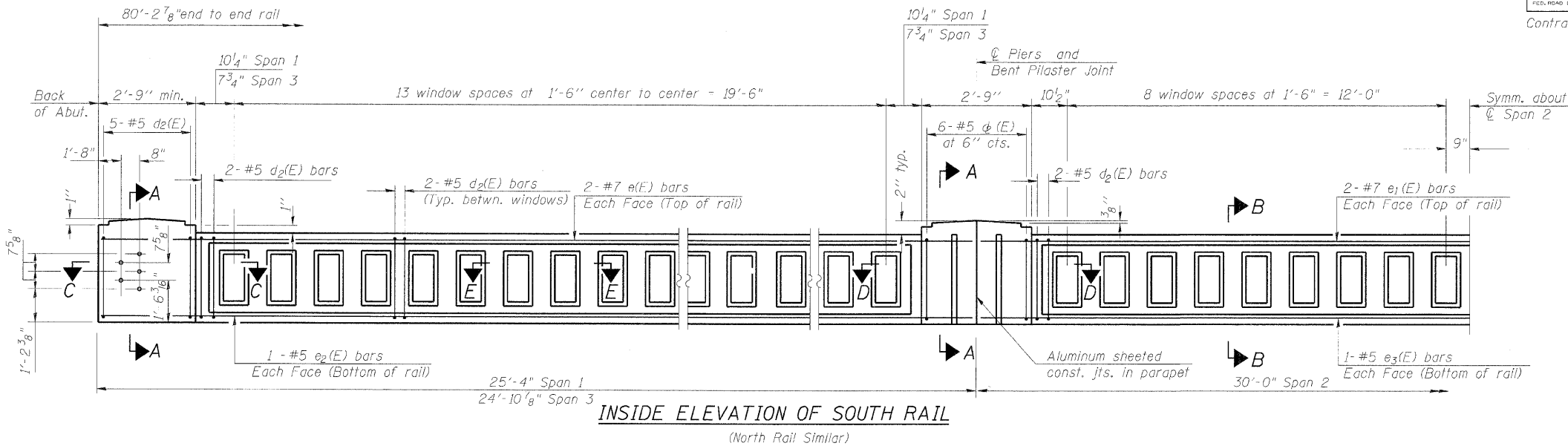


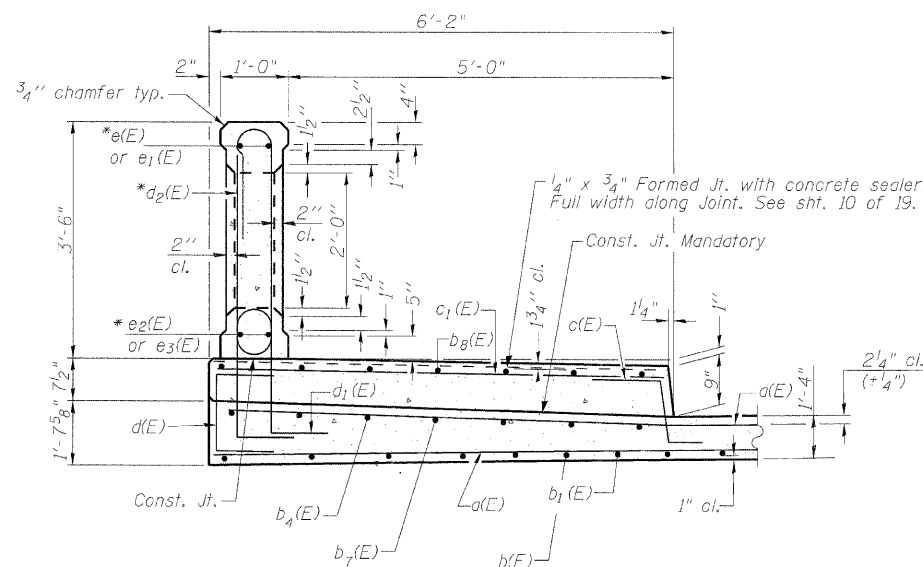
STATE OF ILLINOIS  
DEPARTMENT OF TRANSPORTATION

ROUTE NO.	SECTION	CO. APT.	TOTAL SHEETS	SHEET NO.	SHEET NO. 11 19 SHEETS
F.A.P. 698	126BR	WOODFORD	56	26	
FED. ROAD DIST. NO. 7	ILLINOIS	FED. AID PROJECT			

Contract # 68576



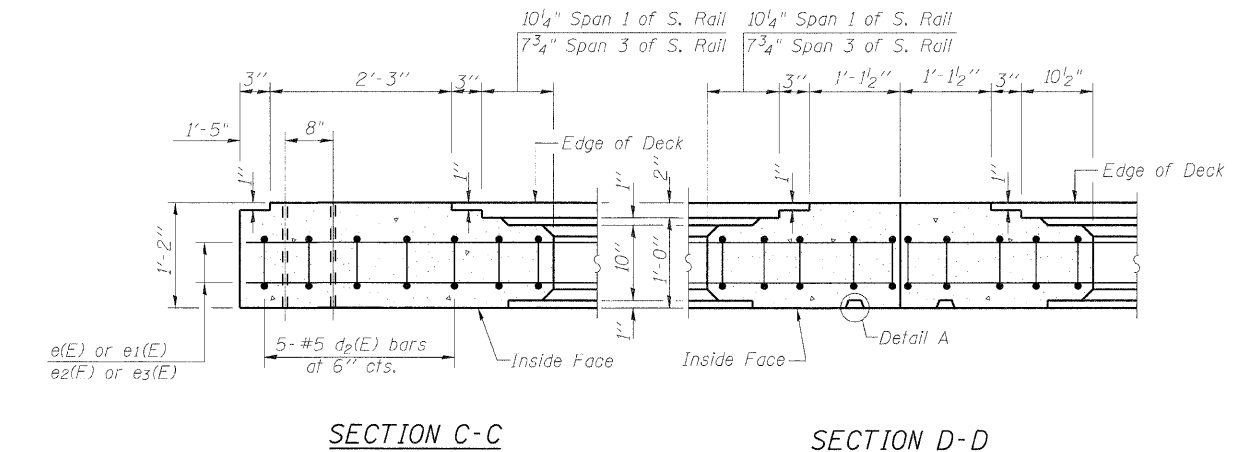
SECTION A-A



SECTION B-B

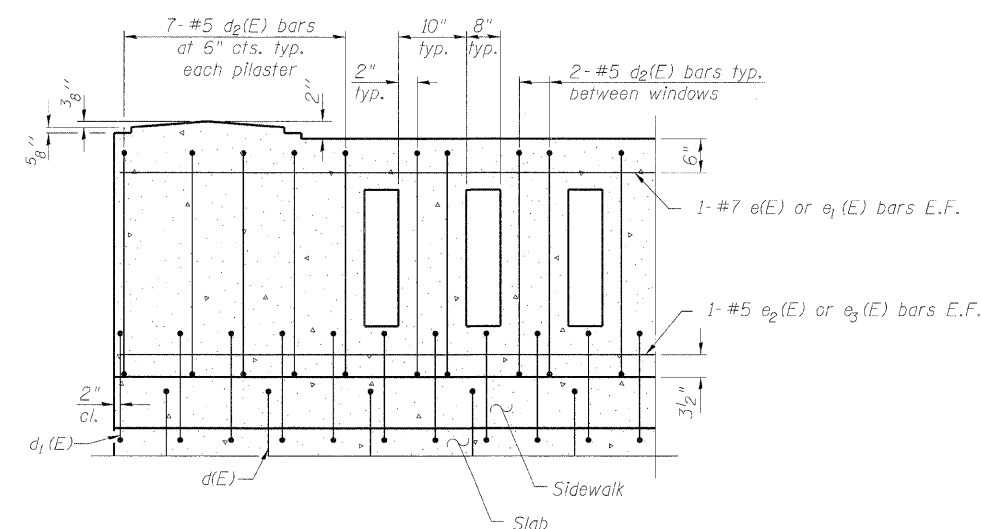
\*Bars e(E) thru e3(E) and d2(E) are included in the cost of Concrete Bridge Railing, Sidewalk Mounted.

Notes:  
All concrete for railing wall shall be Class BS according to Article 1020.04 of the Standard Specifications. Surface of railing shall receive a rubbed finish according to Article 503.15(b) of the Standard Specifications.  
All parts of the railing including concrete and reinforcing will be paid for at the contract unit price per foot for Concrete Bridge Railing, Sidewalk Mounted. Holes and recesses must be formed or cored. Drilling is not permitted.  
Aluminum sheets shall be according to ASTM B209 alloy 3003-H14.  
For Bar details see shft. 12 of 19.



SECTION C-C

SECTION D-D



TYPICAL REINFORCEMENT PLACEMENT

(Inside Face)

BAR LIST

Bar	No.	Size	Length	Shape
d2(E)	214	#5	8'-8"	U
e(E)	16	#7	24'-8"	—
e1(E)	8	#7	29'-8"	—
e2(E)	8	#5	24'-8"	—
e3(E)	4	#5	29'-8"	—

(Sheet 1 of 2)

CONCRETE BRIDGE RAILING,  
SIDEWALK MOUNTED  
IL. ROUTE 89 OVER SNAG CREEK  
F.A.P. ROUTE 698 SEC. 126BR  
WOODFORD COUNTY, STATION 521+52.42  
STRUCTURE NO. 102-0082

MID-AMERICA ENGINEERING SERVICES

DESIGNED	KRG
CHECKED	MJK
DRAWN	GSJ
CHECKED	MJK