

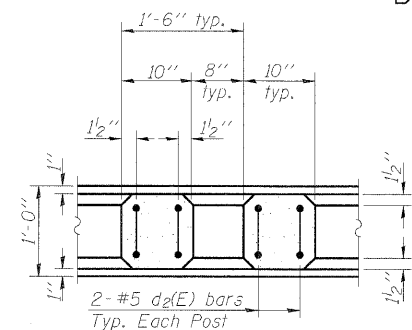
STATE OF ILLINOIS
DEPARTMENT OF TRANSPORTATION

ROUTE NO.	SECTION	COUNTY	TOTAL SHEETS	SHEET NO.
F.A.P. 698	126BR	WOODFORD	56	27
FED. ROAD DIST. NO. 7	ILLINOIS	FED. AID PROJECT-		

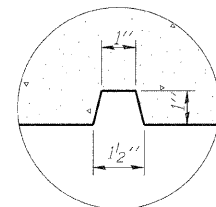
SHEET NO. 12

19 SHEETS

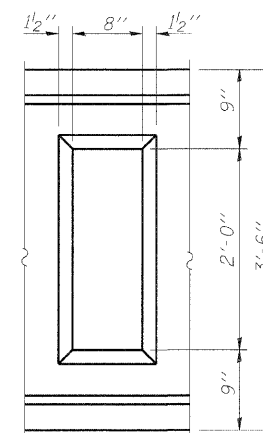
Contract # 68576



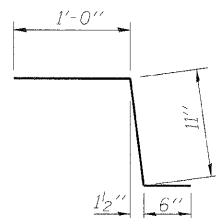
SECTION E-E



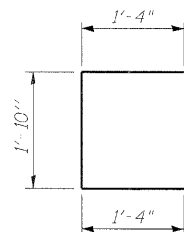
DETAIL A



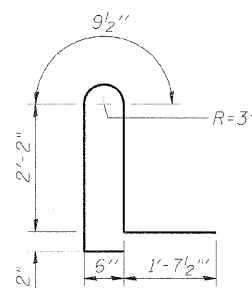
WINDOW DETAIL



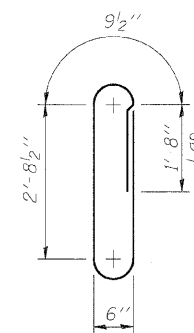
BAR c(E)



BAR d(E)



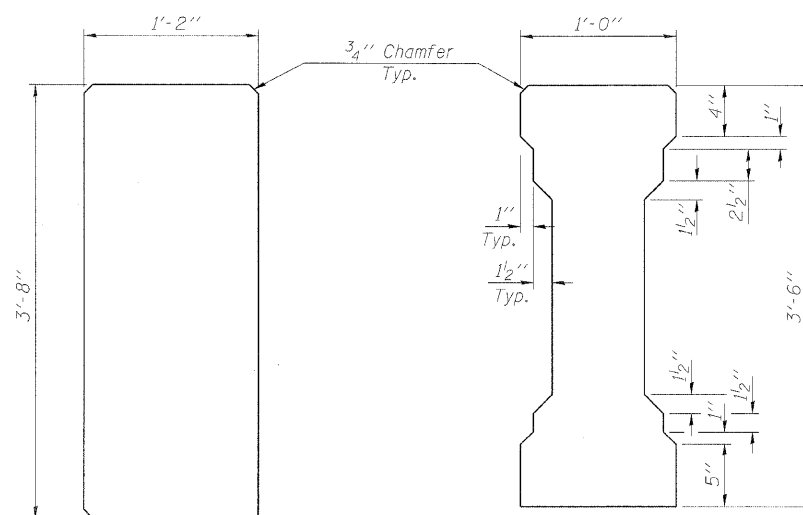
BAR d1(E)



BAR d2(E)

NOTES:

For location of Section EE & Detail A see sht. 11 of 19.



PIER PILASTER JOINT

SPAN PILASTER JOINT

ALUMINUM JOINT DETAILS

BILL OF MATERIAL

Item	Unit	Quantities
Concrete Bridge Railing, Sidewalk mounted	Foot	161

DESIGNED	KRG
CHECKED	MJK
DRAWN	GSJ
CHECKED	MJK

(Sheet 2 of 2)

CONCRETE BRIDGE RAILING,
DETAILS, SIDEWALK MOUNTED
IL. ROUTE 89 OVER SNAG CREEK
F.A.P. ROUTE 698 SEC. 126BR
WOODFORD COUNTY STATION 521+52.42
STRUCTURE NO. 102-0082

MID-AMERICA ENGINEERING SERVICES