

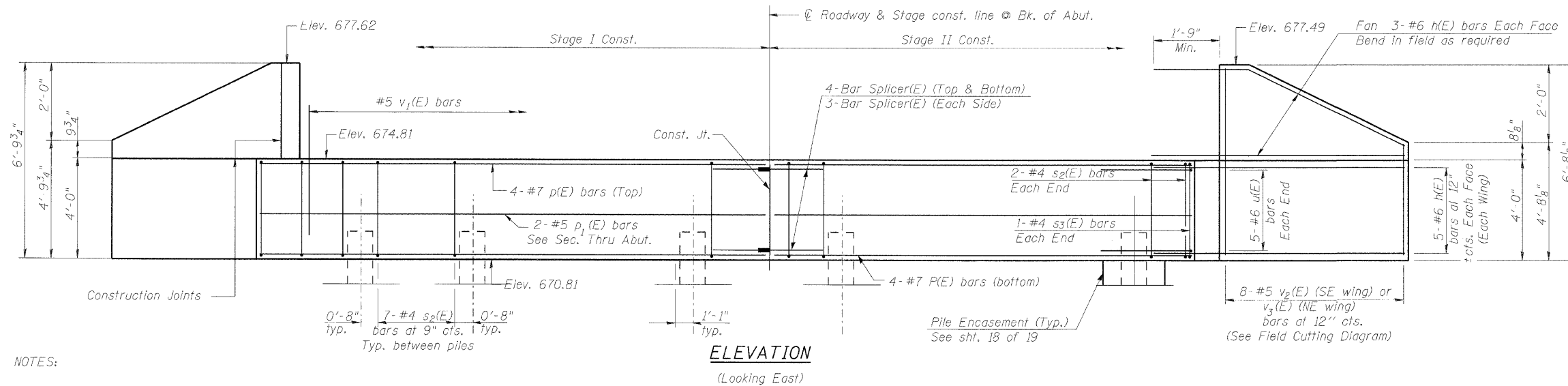
STATE OF ILLINOIS
DEPARTMENT OF TRANSPORTATION

ROUTE NO.	SECTION	COUNTY	TOTAL SHEETS	SHEET NO.
F.A.P. 698	126BR	WOODFORD	56	29
FED. ROAD DIST. NO. 7	ILLINOIS	FED. AID PROJECT		

SHEET NO. 14

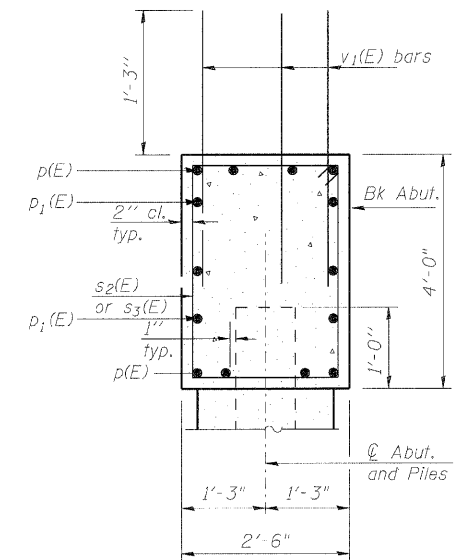
19 SHEETS

Contract # 68576

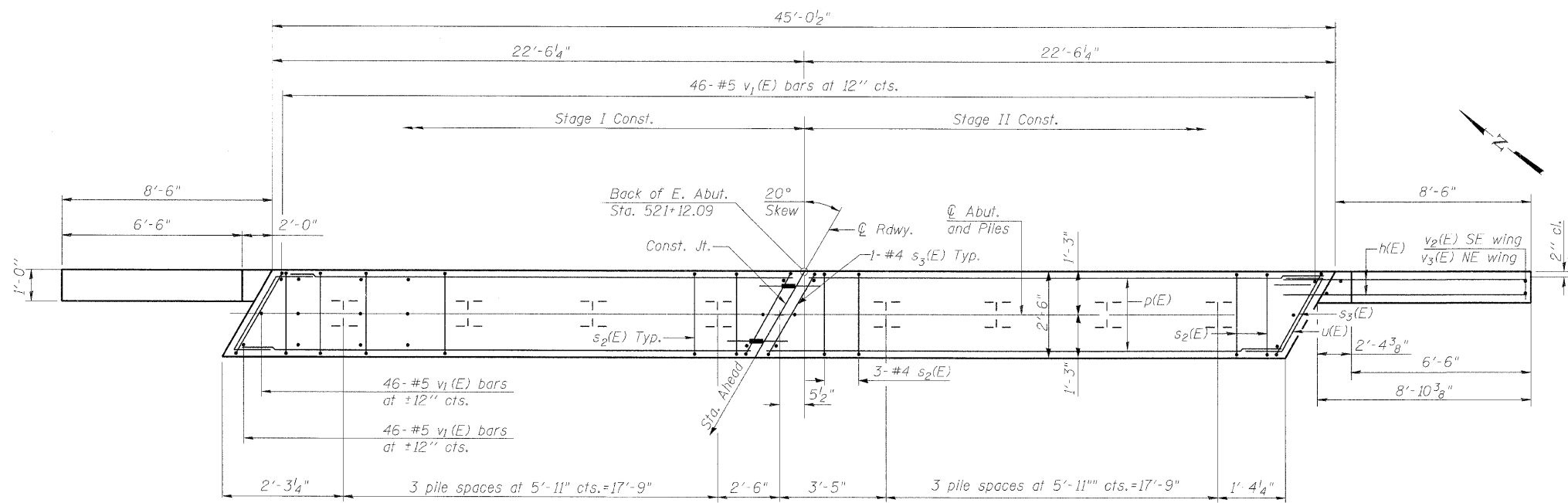


NOTES:

Cost of welded wire fabric in pile encasement is included in the item "concrete encasement"



SEC. THRU ABUT.

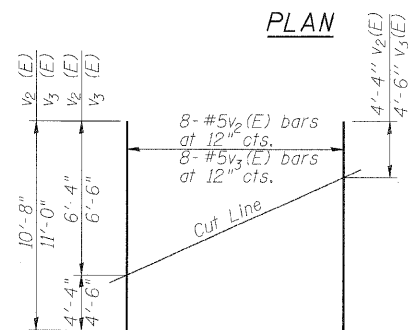


PILE DATA

Type & Size: Steel-HP 12x63
Nominal Required Bearing: 210 Kips
Allowable Resistance Available = 70 Kips
Estimated Pile length = 45'
No. of production piles = 8

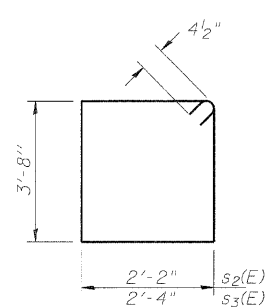
DESIGNED	KRG
CHECKED	MJK
DRAWN	GSJ
CHECKED	MJK

AI-R

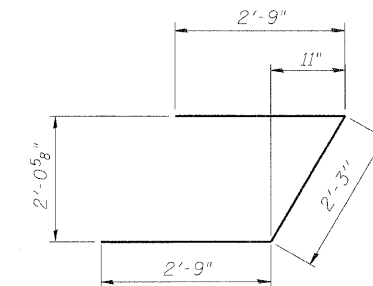


FIELD CUTTING DIAGRAM

Order v2(E) and v3(E) full length. Cut as shown and use remainder of bars in opposite face.



BARS s2(E) & s3(E)



BAR u(E)

BILL OF MATERIAL

Bar	No.	Size	Length	Shape
h(E)	32	#6	10'-6"	—
p(E)	16	#7	22'-2"	—
p1(E)	12	#5	22'-2"	—
s2(E)	50	#4	12'-5"	□
s3(E)	4	#4	12'-9"	□
u(E)	10	#6	7'-9"	┘
v1(E)	138	#5	3'-3"	—
v2(E)	8	#5	10'-8"	—
v3(E)	8	#5	11'-0"	—
Structure Excavation		Cu. Yd.	55.0	
Concrete Structures		Cu. Yd.	20.5	
Reinforcement Bars, Epoxy Coated		Pound	2730	
Furnishing Steel Piles HPI2x63		Foot	360	
Driving Piles		Foot	352	
Concrete Encasement		Cu. Yd.	2.7	

EAST ABUTMENT
IL. ROUTE 89 OVER SNAG CREEK
F.A.P. ROUTE 698 SEC. 126BR
WOODFORD COUNTY
STATION 521+52.42
STRUCTURE NO. 102-0082

MID-AMERICA ENGINEERING SERVICES