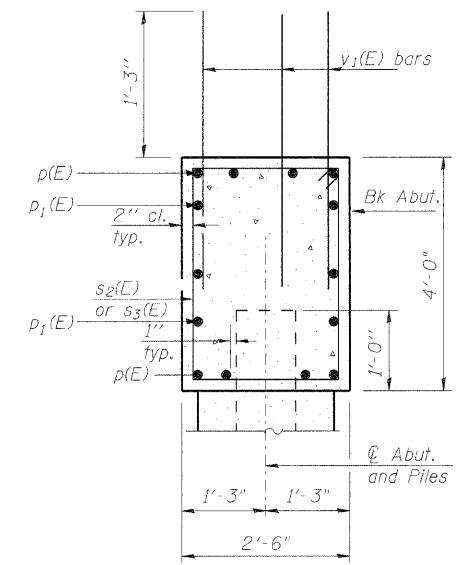
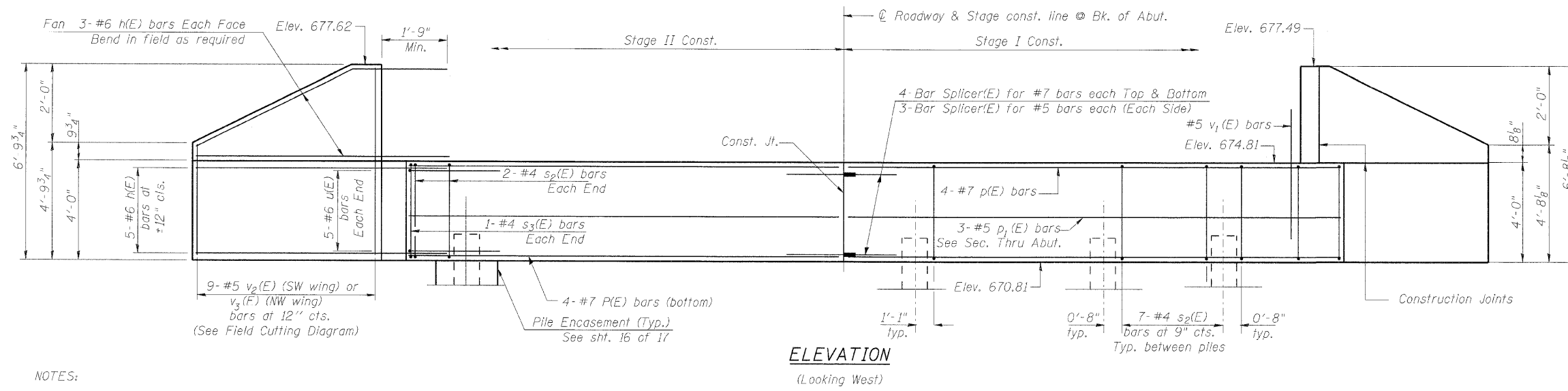


STATE OF ILLINOIS
DEPARTMENT OF TRANSPORTATION

ROUTE NO.	SECTION	COUNTY	TOTAL SHEETS	SHEET NO.
F.A.P. 698	126BR	WOODFORD	56	30
FED. ROAD DIST. NO. 7	ILLINOIS	FED. AID PROJECT		

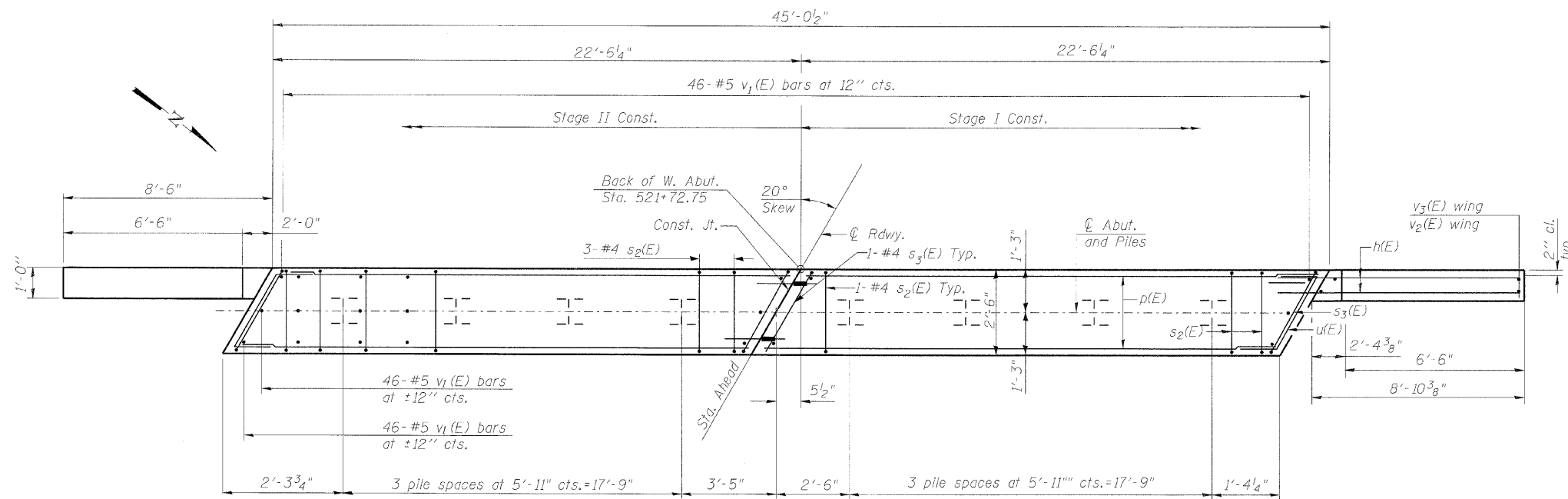
SHEET NO. 15
19 SHEETS

Contract # 68576



NOTES:

Cost of welded wire fabric in pile encasement is included in the item "concrete encasement"



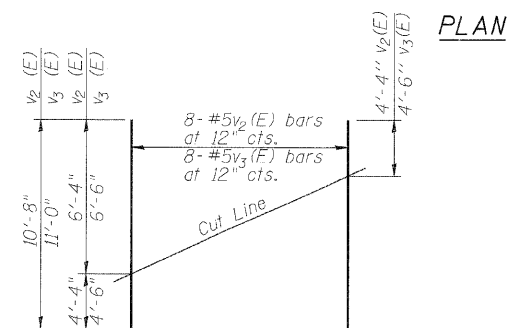
BILL OF MATERIAL

Bar	No.	Size	Length	Shape
h(E)	32	#6	10'-6"	—
p(E)	16	#7	22'-2"	—
v1(E)	12	#5	22'-2"	—
s2(E)	50	#4	12'-5"	□
s3(E)	4	#4	12'-9"	□
u(E)	10	#6	7'-9"	┘
v2(E)	8	#5	10'-8"	—
v3(E)	8	#5	11'-0"	—
Structure Excavation	Cu. Yd.	55.0		
Concrete Structures	Cu. Yd.	20.5		
Reinforcement Bars, Epoxy Coated	Pound	2730		
Furnishing Steel Piles HP12x63	Foot	315		
Driving Piles	Foot	308		
Test Pile, HP12x63	Each	1		
Concrete Encasement	Cu. Yd.	2.7		

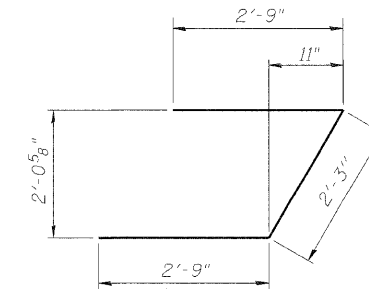
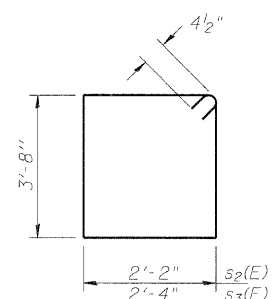
PILE DATA

Type & Size: Steel HP 12x63
Nominal Required Bearing: 210 Kips
Allowable Resistance Available = 70 Kips
Estimated Pile length = 45'
No. of production piles = 7
No. of Test Piles = 1

DESIGNED	KRG
CHECKED	MJK
DRAWN	GSJ
CHECKED	MJK



Order v2(E) and v3(E) full length. Cut as shown and use remainder of bars in opposite face.



MID-AMERICA ENGINEERING SERVICES

WEST ABUTMENT
IL. ROUTE 89 OVER
SNAG CREEK
F.A.P. ROUTE 698 SEC. 126BR
WOODFORD COUNTY
STATION 521+52.42
STRUCTURE NO. 102-0082