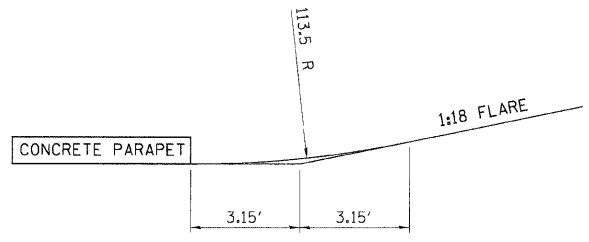
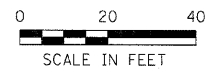
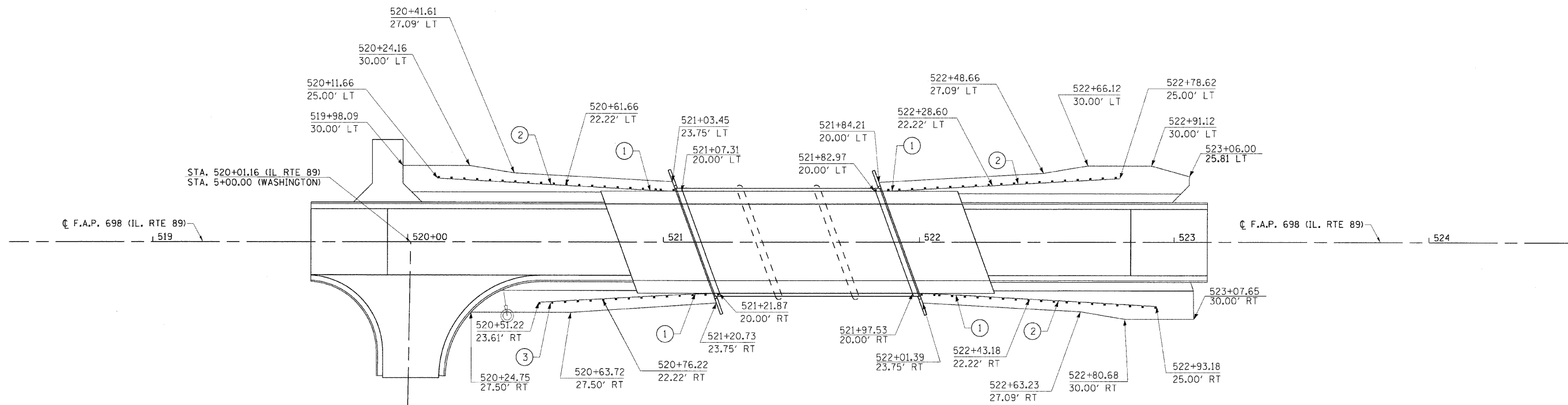


F.A.P. RTE.	SECTION	COUNTY	TOTAL SHEETS	SHEET NO.
698	126BR	WOODFORD	56	37
STA. 519+62.00		TO STA. 523+13.00		
FED. ROAD DIST. NO. 4 ILLINOIS FED. AID PROJECT				



TRAFFIC BARRIER TERMINAL TYPE 6 (SPECIAL)
RADIUS DETAIL



PROPOSED LEGEND

- ① TRAFFIC BARRIER TERMINAL TYPE 6 (SPECIAL) 1:18 FLARE, WITH 6.3' LONG-113.5' RADIUS AT ABUTMENT
- ② TRAFFIC BARRIER TERMINAL TYPE 1 SPECIAL (FLARED), 1:18 FLARE
- ③ TRAFFIC BARRIER TERMINAL TYPE 1 SPECIAL (FLARED) MODIFIED, 25' LONG, 1:18 FLARE

PLOT DATE : #DATE#
FILE NAME : #FILE#
PLOT SCALE : #SCALE#
USER NAME : #USER#

REVISIONS	
NAME	DATE

ILLINOIS DEPARTMENT OF TRANSPORTATION
GUARDRAIL DETAIL
F.A.P. 698
SECTION 126BR
WOODFORD COUNTY
SCALE: VERT.
HORIZ.
DATE : 10/31/07
DRAWN BY : GSJ
CHECKED BY : KRG