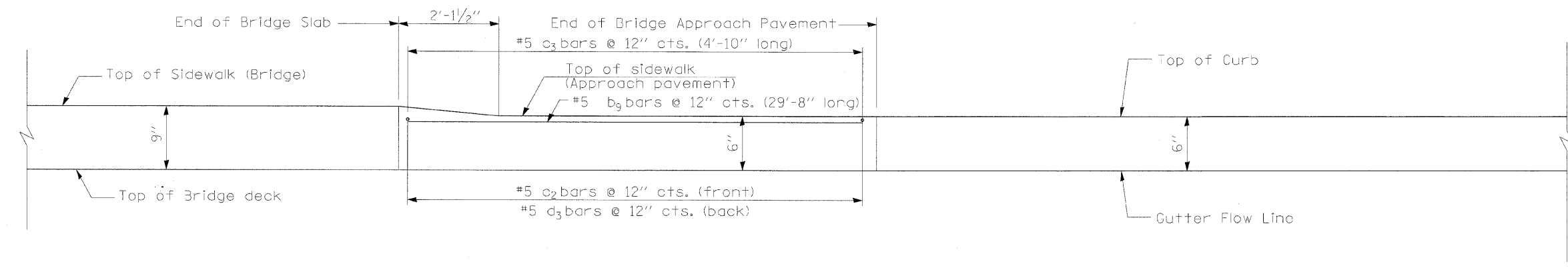
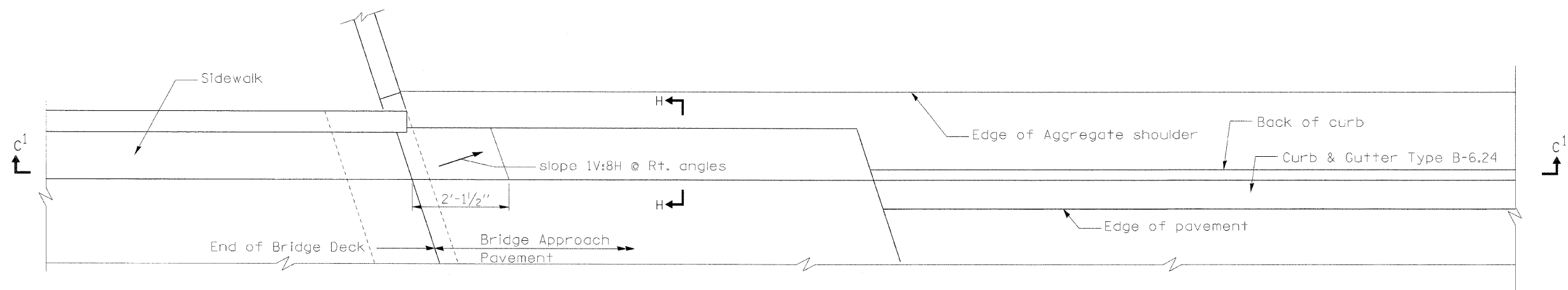


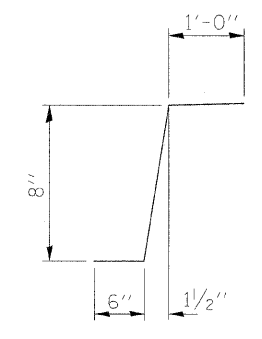
F.A.P. RTE.	SECTION	COUNTY	TOTAL SHEETS	SHEET NO.
698	126BR	WOODFORD	56	38
STA. 519+62.00		TO STA. 523+13.00		
FED. ROAD DIST. NO. 4 ILLINOIS FED. AID PROJECT				



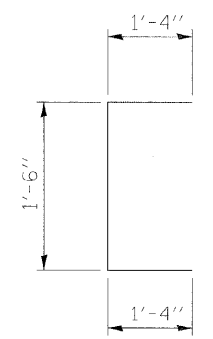
SECTION C¹ - C¹



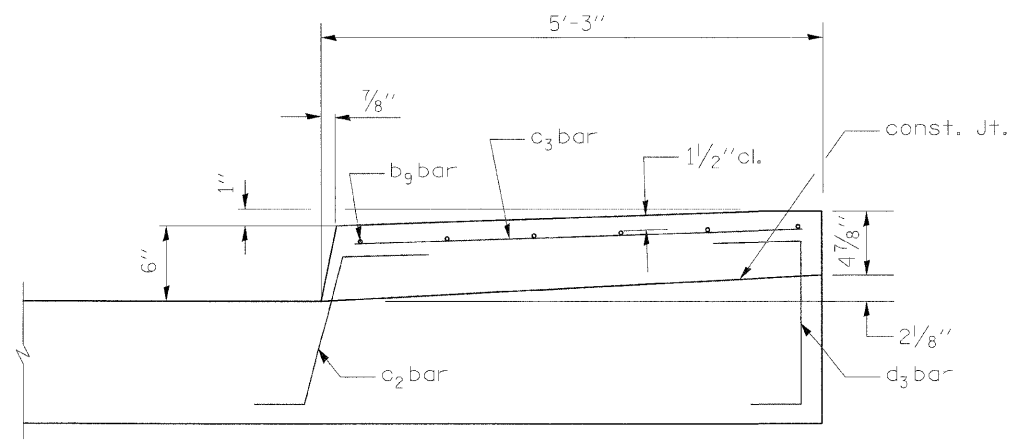
PLAN
SIDEWALK AT APPROACH PAVEMENT



BAR - c₂



BAR - d₃



SECTION H - H

NOTE:
SEE HIGHWAY STANDARD 420401-6 FOR ALL OTHER DETAILS OF BRIDGE APPROACH PAVEMENT.
THE REINFORCEMENT BARS AND CONCRETE IN SIDEWALK IS INCLUDED IN THE PAY ITEM "BRIDGE APPROACH PAVEMENT (SPECIAL)".

REVISIONS	
NAME	DATE

ILLINOIS DEPARTMENT OF TRANSPORTATION
BRIDGE APPROACH PAVEMENT (SPECIAL)
F.A.P. 698
SECTION 126BR
WOODFORD COUNTY

SCALE: VERT. HORIZ. DATE: 10/31/07
DRAWN BY: GSJ
CHECKED BY: KRG

PLOT DATE = #DATE#
FILE NAME = #FILE#
PLOT SCALE = #SCALE#
USER NAME = #USER#