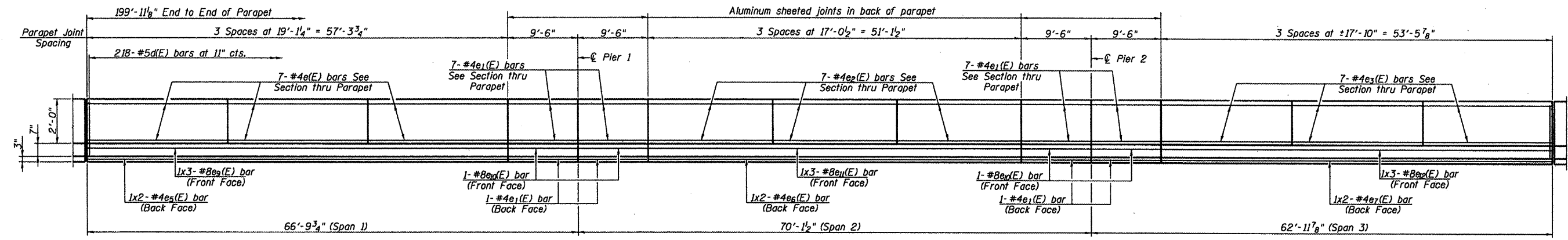
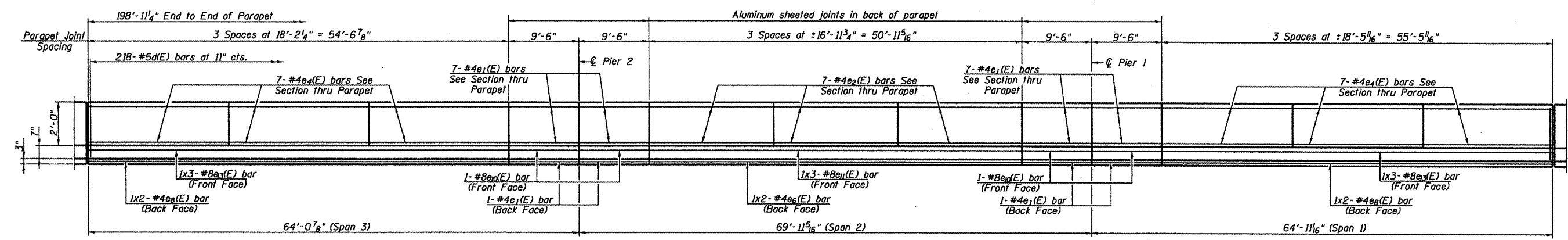


ROUTE NO.	SECTION	COUNTY	DATE	SHEET	SHEET NO. 12 31 SHEETS
F.A.S. 2370 (L. 26)	I-BR	PUTNAM	65	29	
FED. ROAD DIST. NO. 7	ILLINOIS	FED. AID PROJECT			

Contract # 68577



INSIDE ELEVATION OF EAST PARAPET
(Looking East)
(Longitudinal dimensions are along outside face of parapet)



INSIDE ELEVATION OF WEST PARAPET
(Looking West)
(Longitudinal dimensions are along outside face of parapet)

MIN. BAR LAPS
#4 bar = 1'-4"
#8 bar = 3'-5"

Notes:
Bars indicated thus 1 x 2-#4 etc. indicates 1 line of bars with 2 lengths per line.
See Sheet 13 of 31 for Parapet Joint Details.

SUPERSTRUCTURE DETAILS
ILLINOIS ROUTE 26 OVER
COFFEE CREEK
F.A.S. ROUTE 2370
SECTION I-BR
PUTNAM COUNTY
STA. 96+59.00
STRUCTURE NO. 078-0046