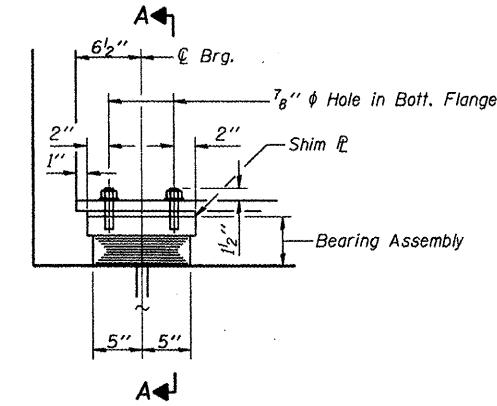
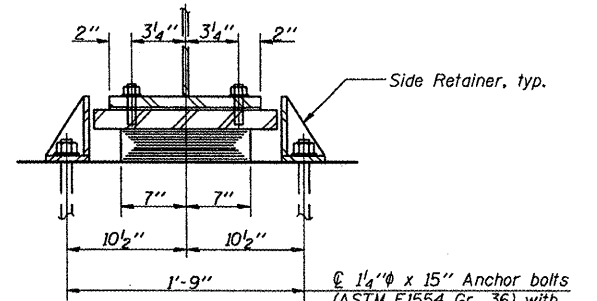


ROUTE NO.	SECTION	COUNTY	TOTAL SHEETS	SHEET NO.	SHEET NO. 18
F.A.S. 2370 (IL. 26)	1-BR	PUTNAM	65	35	31 SHEETS
FED. ROAD DIST. NO. 7	ILLINOIS	FED. AID PROJECT			

Contract # 68577

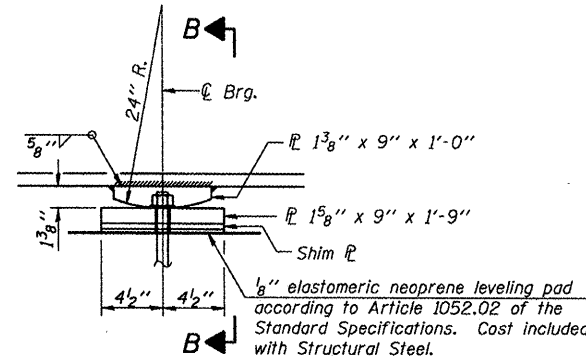


ELEVATION AT ABUT.

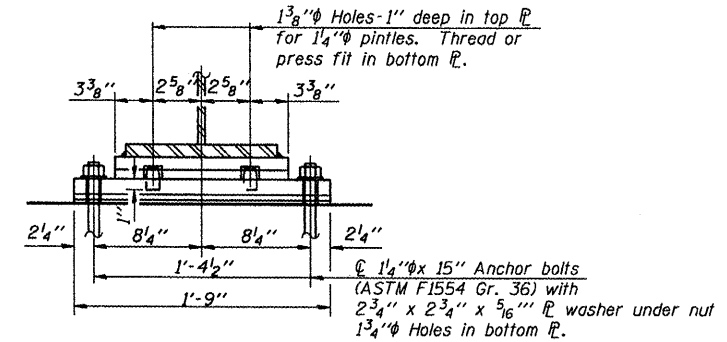


SECTION A-A

1/4" x 15" Anchor bolts (ASTM F1554 Gr. 36) with 2 3/4" x 2 3/4" x 5/16" washer under nut



ELEVATION AT PIER

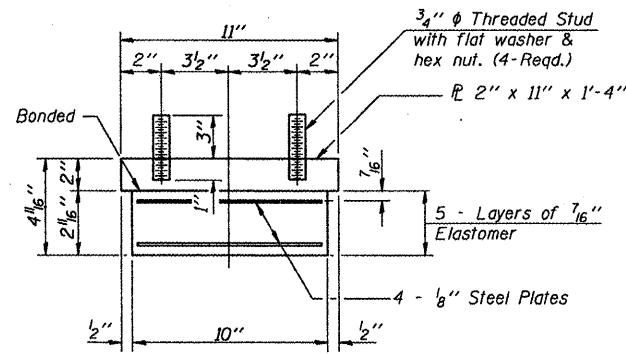


SECTION B-B

1/4" x 15" Anchor bolts (ASTM F1554 Gr. 36) with 2 3/4" x 2 3/4" x 5/16" washer under nut 1 3/4" diameter holes in bottom plate.

TYPE I ELASTOMERIC EXP. BRG.

FIXED BEARING



BEARING ASSEMBLY

Note: Shim plates shall not be placed under Bearing Assembly.

Notes:
Anchor bolts shall be ASTM F1554 all-thread (or an Engineer-approved alternate material) of the grade(s) and diameter(s) specified. ASTM A307 Grade C anchor bolts may be used in lieu of ASTM F1554 Grade 36 (Fy=36ksi). The corresponding specified grade of AASHTO M314 anchor bolts may be used in lieu of ASTM F1554.

Anchor bolts at fixed bearings may be either cast in place or installed in holes drilled after the supported member is in place.

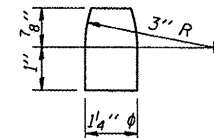
Anchor bolts for side retainers may be cast in place or installed in holes drilled before or after members are in place.

Drilled and set anchor bolts shall be installed according to Article 521.06 of the Standard Specifications.

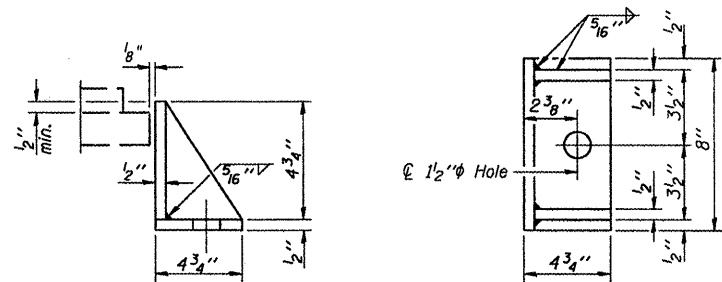
Side retainers and other steel members required for the bearing assembly shall be included in the cost of Elastomeric Bearing Assembly, Type I.

Two 1/8 inch adjusting shims shall be provided for each bearing in addition to all other plates or shims and placed as shown on bearing details.

The structural steel bearing plates of the Elastomeric Bearing Assembly and Fixed Bearing plates, including pintles shall conform to the requirements of AASHTO M 270 Grade 50.



PINTLE



SIDE RETAINER

Equivalent rolled angle with stiffeners will be allowed in lieu of welded plates.

BILL OF MATERIAL

Item	Unit	Total
Elastomeric Bearing Assembly, Type I	Each	14
Anchor Bolts, 1/4"	Each	56

BEARING DETAILS
ILLINOIS ROUTE 26 OVER
COFFEE CREEK
F.A.S. ROUTE 2370
SECTION 1-BR
PUTNAM COUNTY
STA. 96+59.00
STRUCTURE NO. 078-0046

I-2-E1

11-1-06