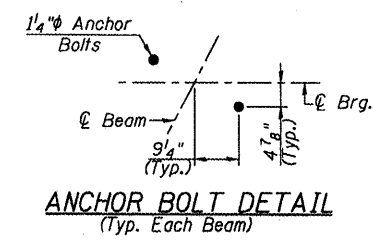
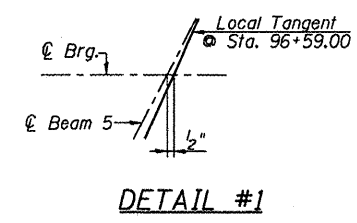
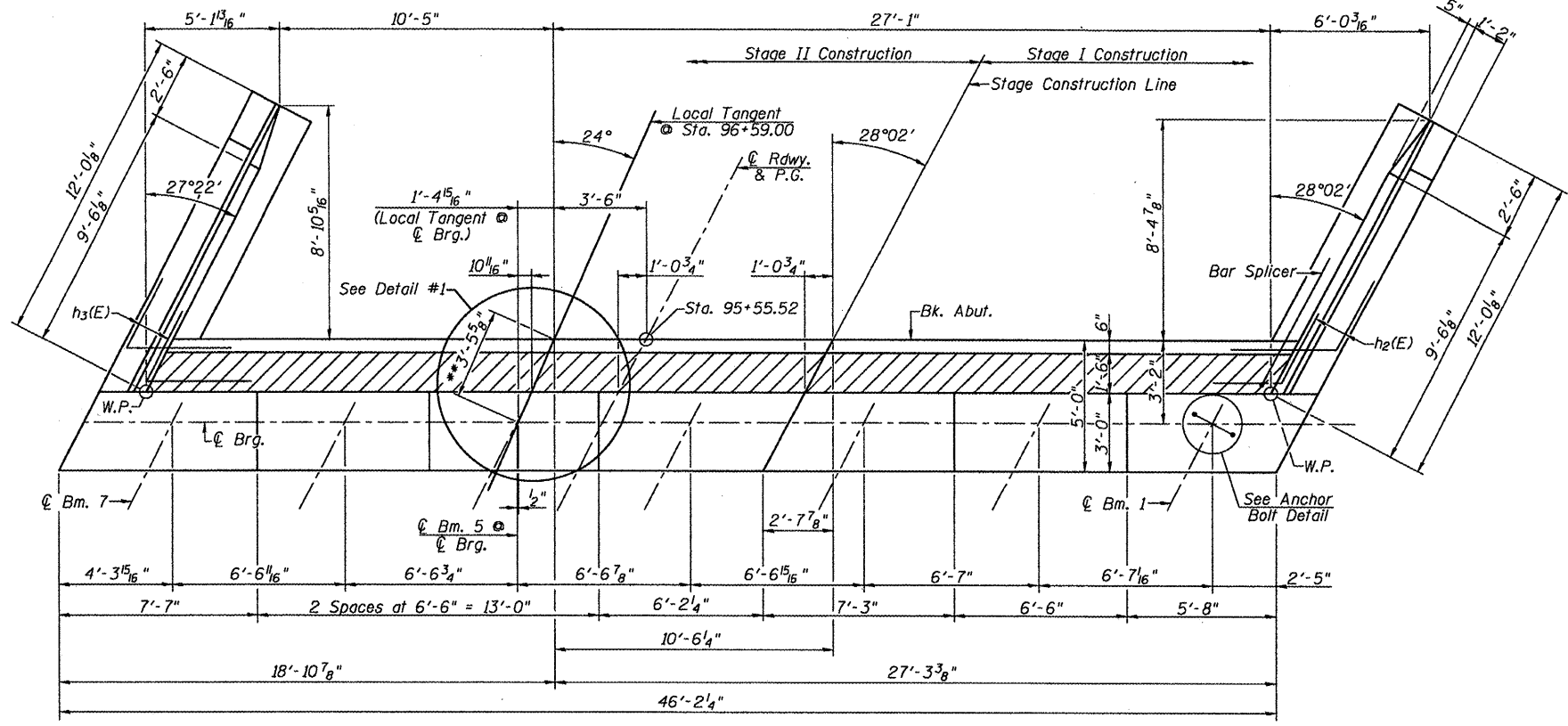
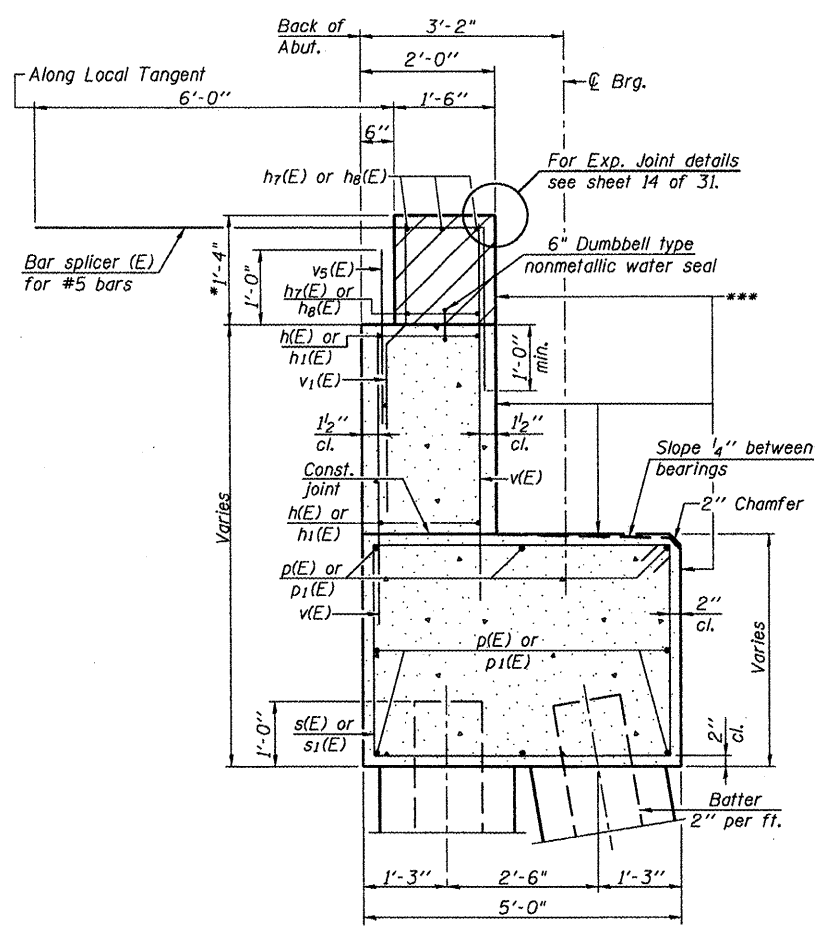
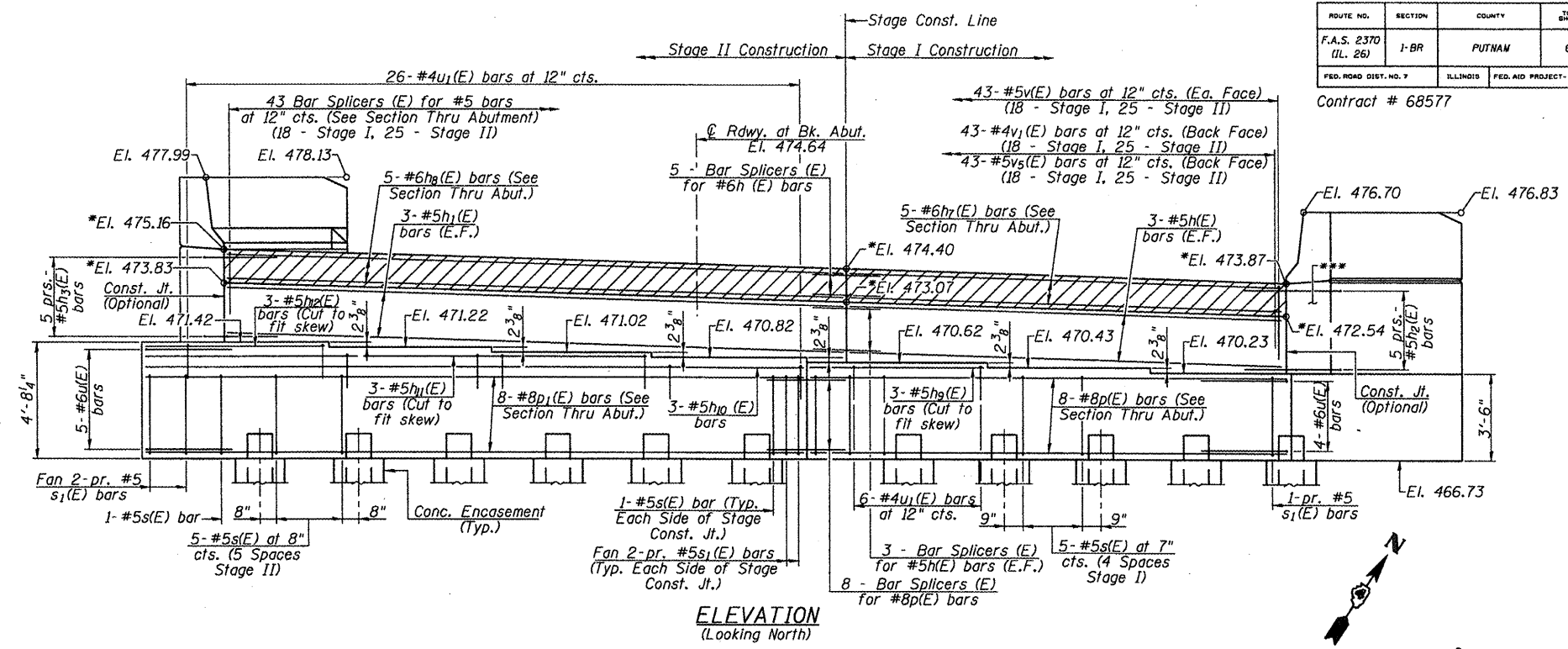


ROUTE NO.	SECTION	COUNTY	SHEETS	SHEET	SHEET NO. 19 31 SHEETS
F.A.S. 2370 (IL. 26)	1-BR	PUTNAM	65	36	
FED. ROAD DIST. NO. 7	ILLINOIS	FED. AID PROJECT-			

Contract # 68577

Notes:
 Hatched area to be poured after superstructure false work has been removed. Quantity of concrete included with Concrete Superstructure. Space reinforcement in cap to miss anchor bolts. Pour steps monolithically with cap. Quantity of concrete in end post included with Concrete Superstructure on sheet 13 of 31. For details of Bar Splicers, see sheet 27 of 31. For details of piles and Concrete Encasement, see sheet 28 of 31.

- * At front face of hatch block
- ** Back of abutment to \varnothing Brg. along Local Tangent
- *** The following areas shall be treated with concrete sealer:
 - 1.) Front face of hatch block
 - 2.) Front face of backwall
 - 3.) Top of exposed pile cap
 - 4.) Front face of pile cap
 - 5.) Front face of wingwalls



NORTH ABUTMENT
 ILLINOIS ROUTE 26 OVER
 COFFEE CREEK
 F.A.S. ROUTE 2370
 SECTION 1-BR
 PUTNAM COUNTY
 STA. 96+59.00
 STRUCTURE NO. 078-0046