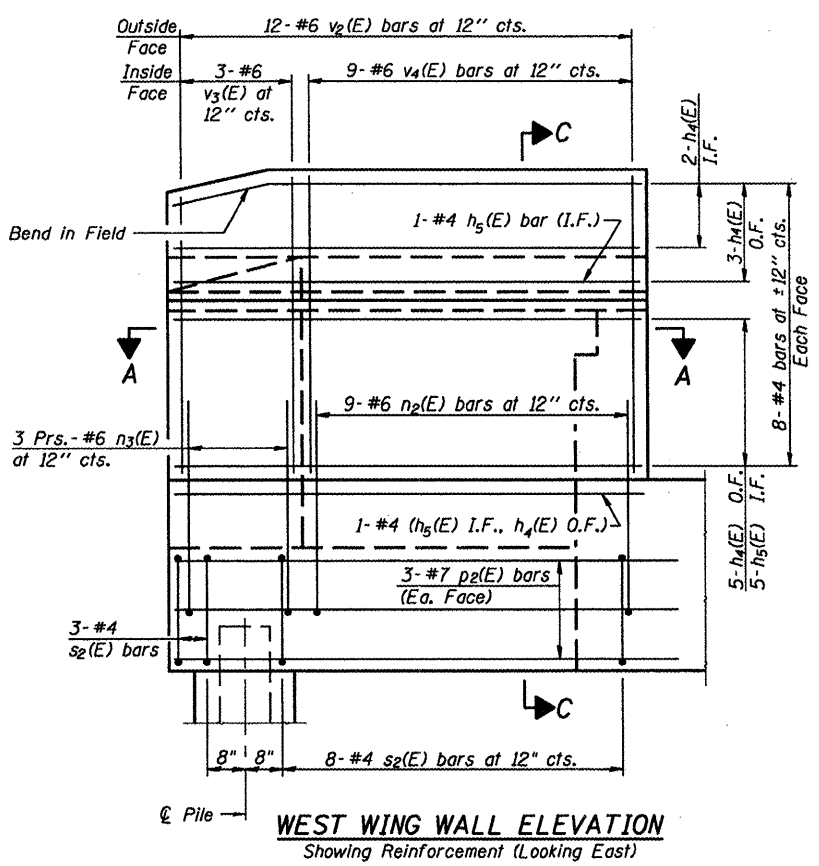
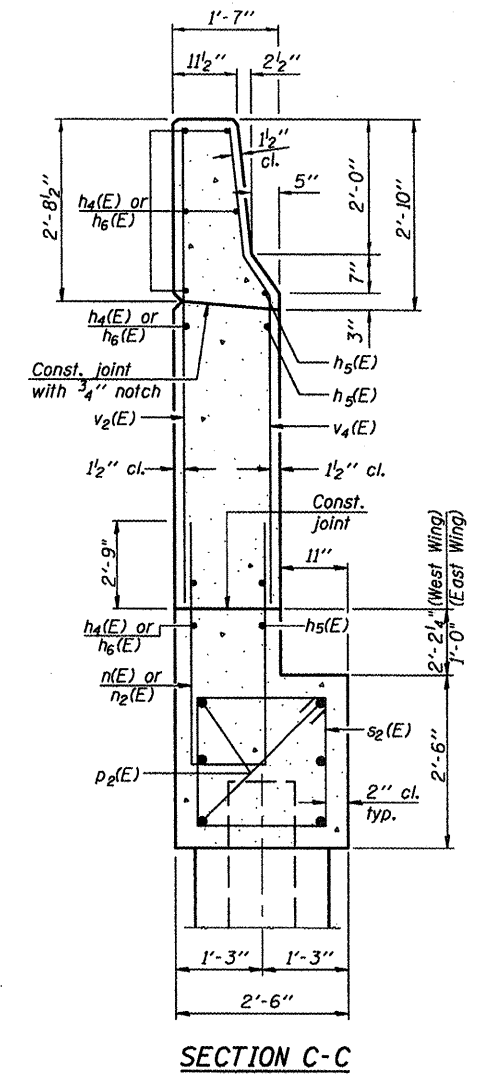
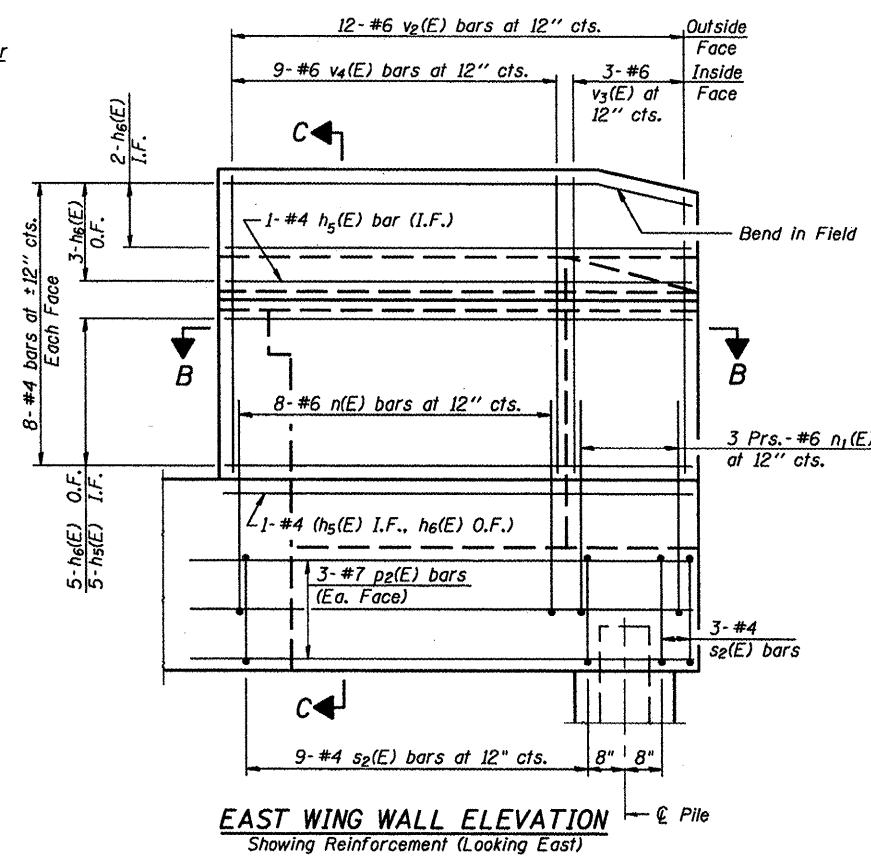
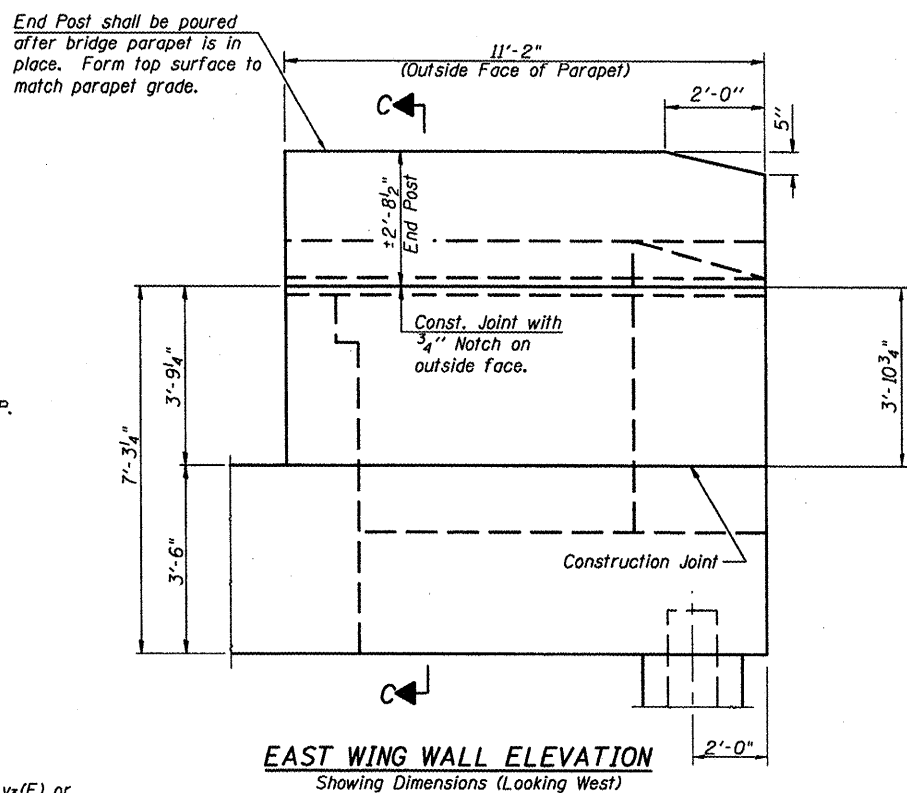
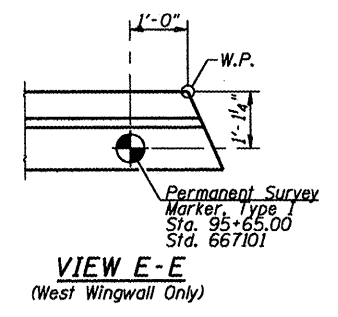
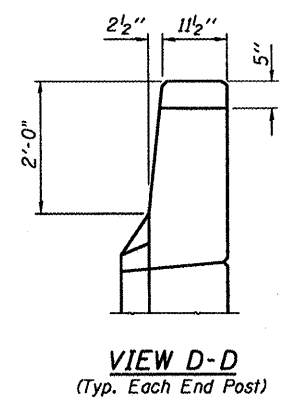
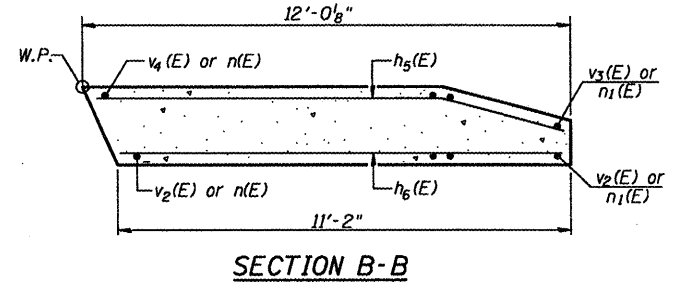
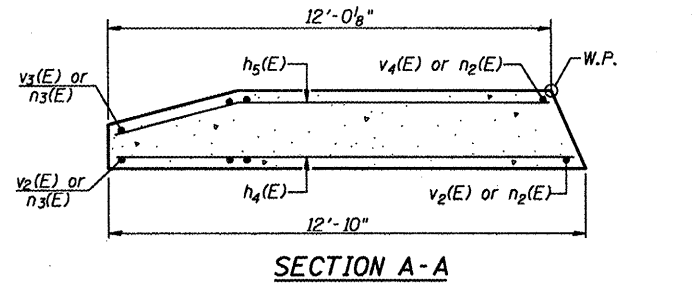
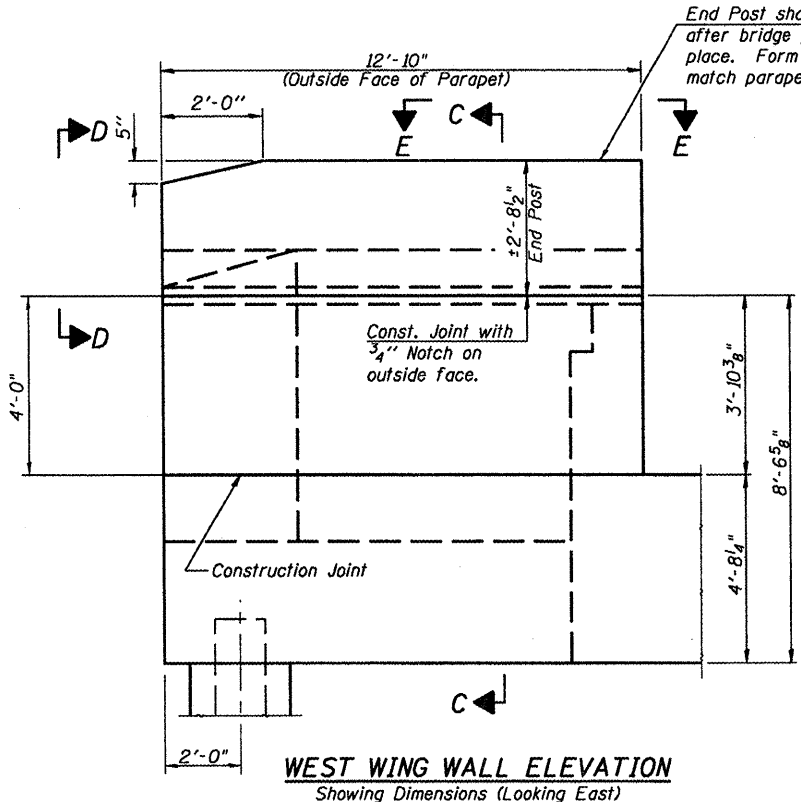


ROUTE NO.	SECTION	COUNTY	TOTAL SHEETS	SHEET NO.	SHEET NO. 21 31 SHEETS
F.A.S. 2370 (IL. 26)	I-BR	PUTNAM	65	38	
FED. ROAD DIST. NO. 7	ILLINOIS	FED. AID PROJECT-			

Contract # 68577



NORTH ABUTMENT DETAILS
ILLINOIS ROUTE 26 OVER
COFFEE CREEK
F.A.S. ROUTE 2370
SECTION I-BR
PUTNAM COUNTY
STA. 96+59.00
STRUCTURE NO. 078-0046