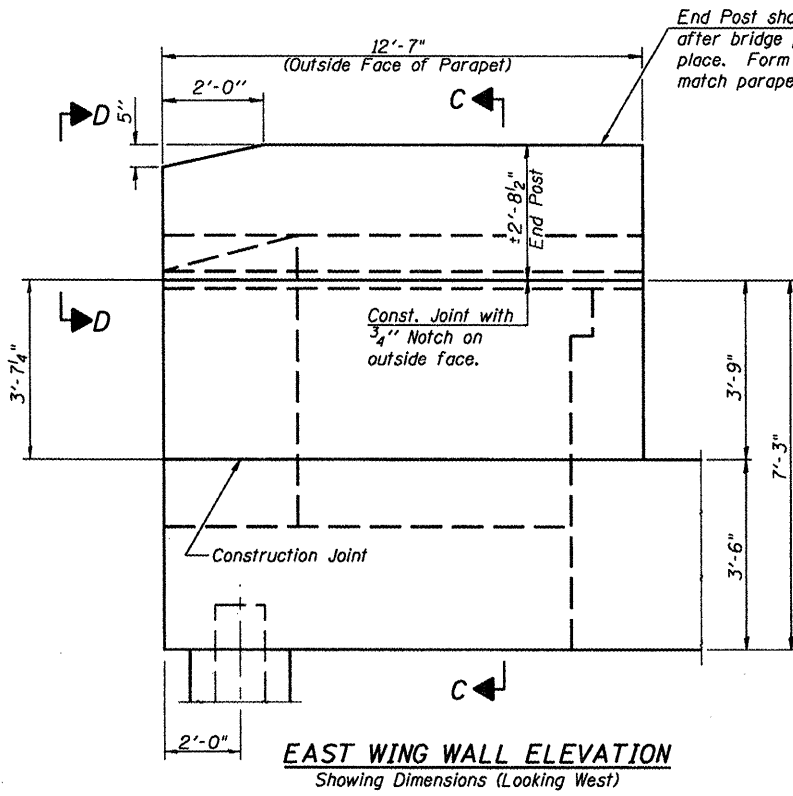
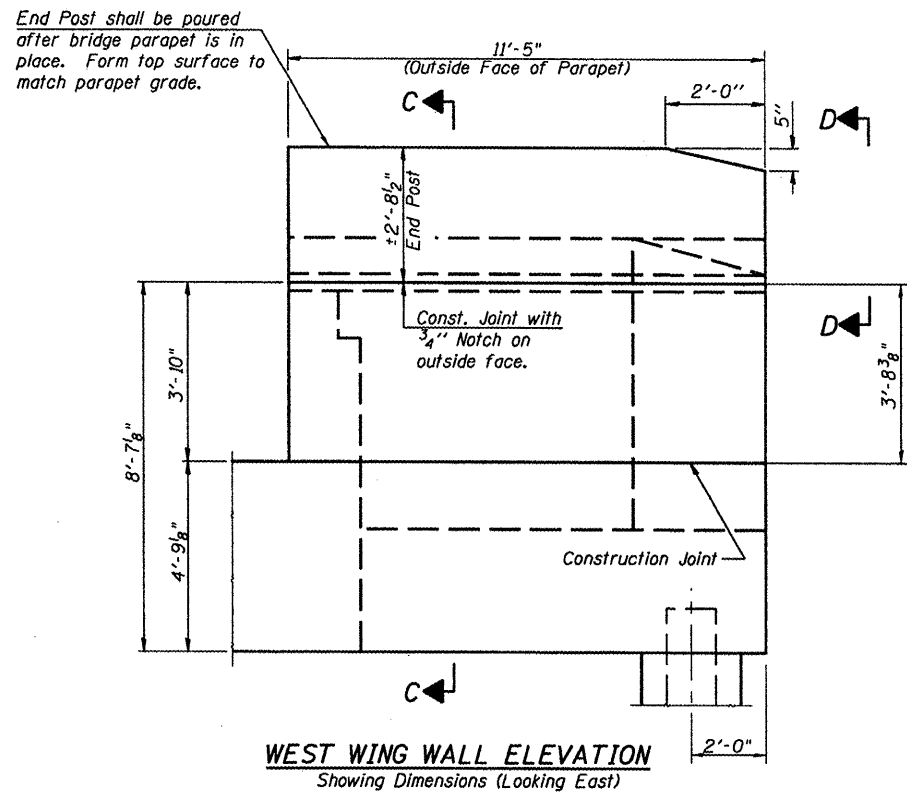


ROUTE NO.	SECTION	COUNTY	DATE SHEETS	SHEET NO.	SHEET NO. 24 31 SHEETS
F.A.S. 2370 (IL. 26)	I-BR	PUTNAM	65	41	
FED. ROAD DIST. NO. 7	ILLINOIS	FED. AID PROJECT-			

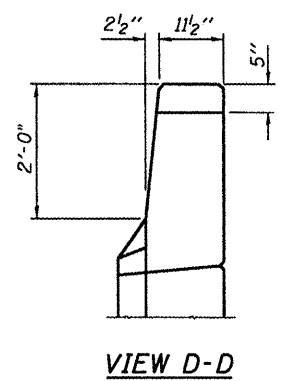
Contract # 68577



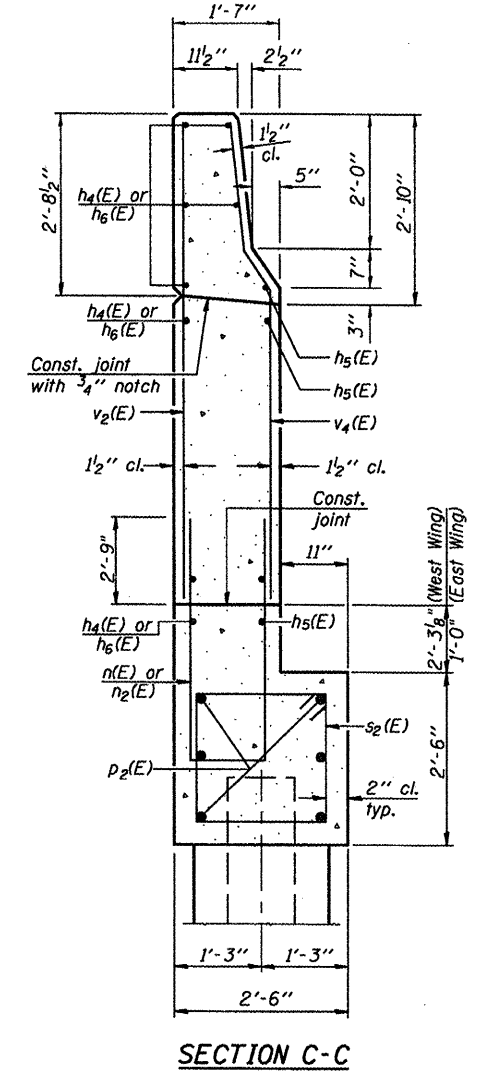
**EAST WING WALL ELEVATION**  
Showing Dimensions (Looking West)



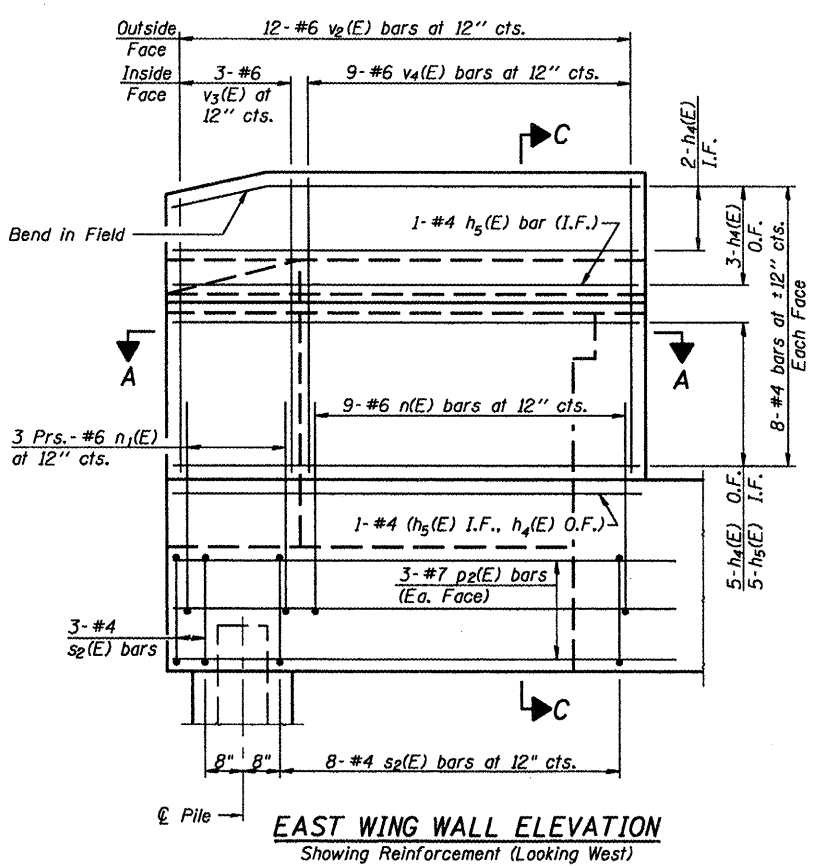
**WEST WING WALL ELEVATION**  
Showing Dimensions (Looking East)



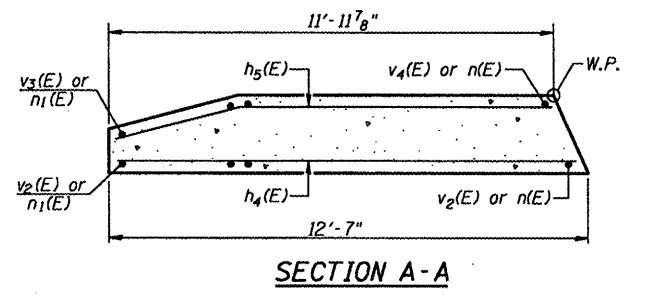
**VIEW D-D**



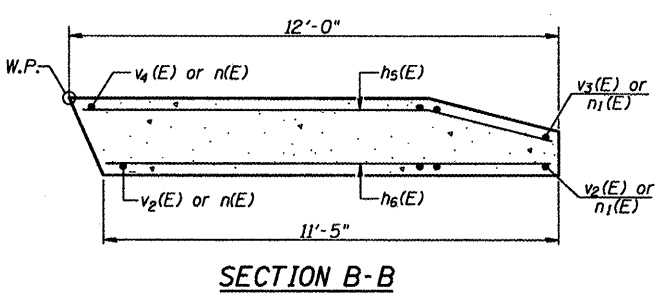
**SECTION C-C**



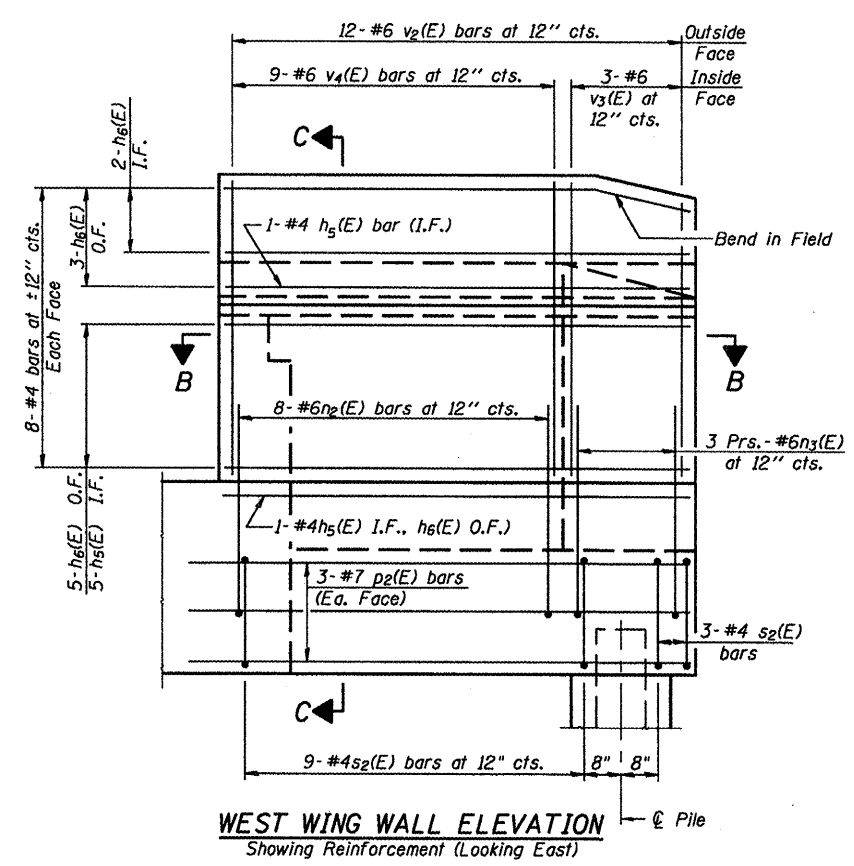
**EAST WING WALL ELEVATION**  
Showing Reinforcement (Looking West)



**SECTION A-A**



**SECTION B-B**



**WEST WING WALL ELEVATION**  
Showing Reinforcement (Looking East)

**SOUTH ABUTMENT DETAILS**  
ILLINOIS ROUTE 26 OVER  
COFFEE CREEK  
F.A.S. ROUTE 2370  
SECTION I-BR  
PUTNAM COUNTY  
STA. 96+59.00  
STRUCTURE NO. 078-0046