

Notes:
 Space reinforcement in cap to miss anchor bolts.
 Pour steps monolithically with cap.
 For details of piles, see sheet 28 of 31.
 For bars splicer details see Sheet 27 of 31.

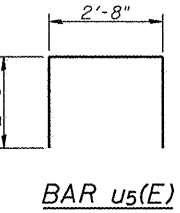
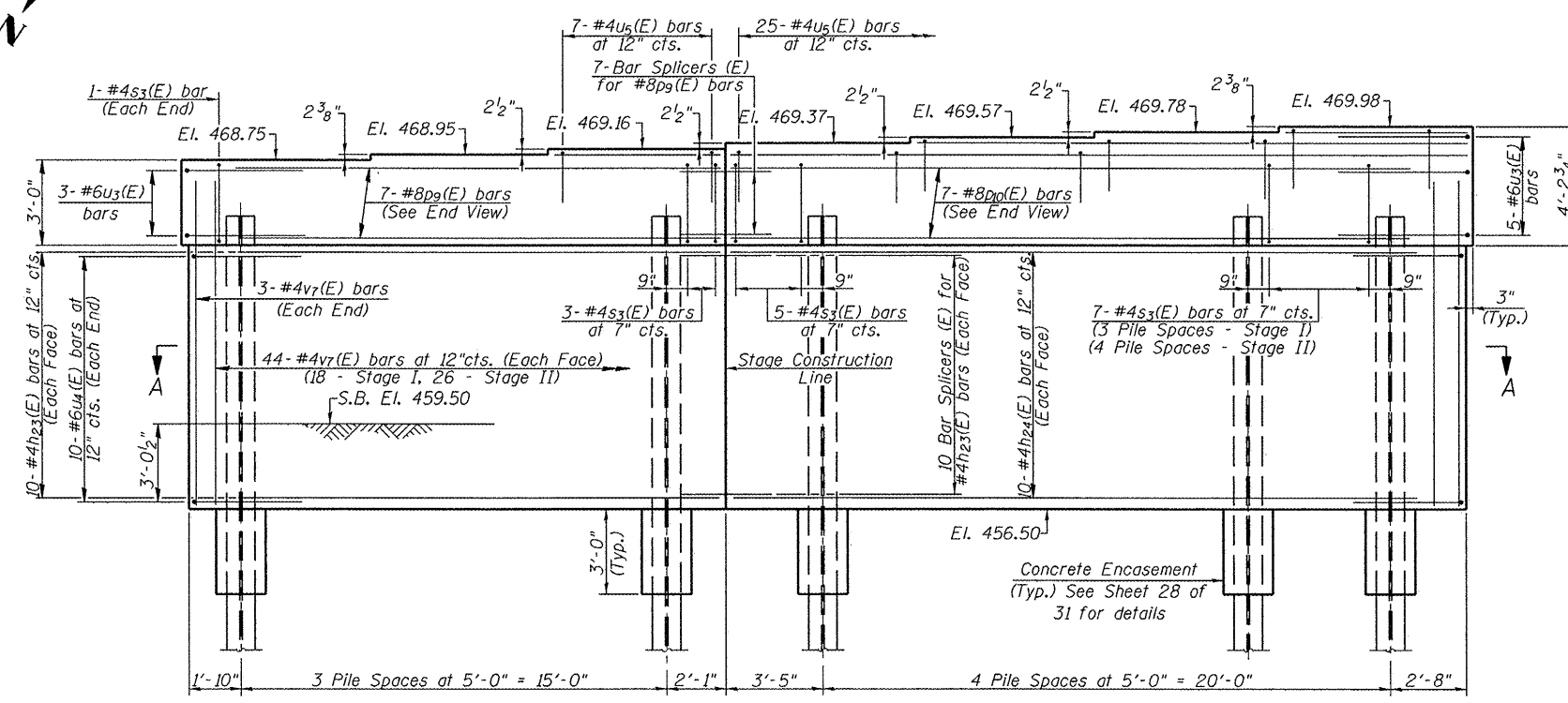
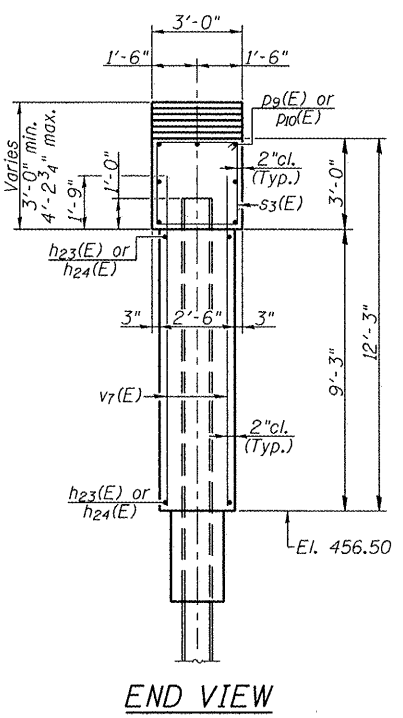
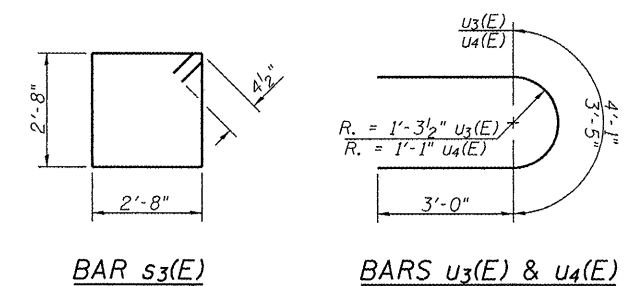
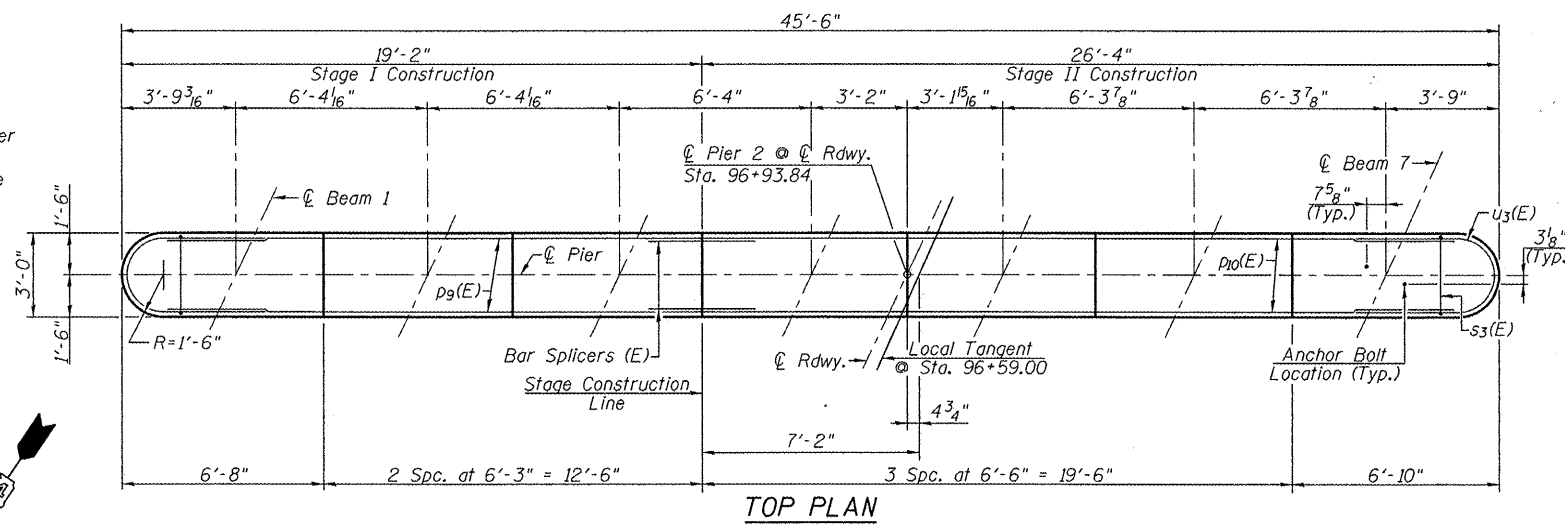
If a portion of the pier wall or concrete encasement is under water, reinforcement may be placed underwater into forms. Concrete shall be tremied according to Article 503.08 of the Standard Specifications to an elevation of 1'-0" above the water line at the time of construction.

PILE DATA

Type: HP 12x63
 Nominal Required Bearing: 497 kips
 Factored Resistance Available: 248 kips
 Est. Length: 83 ft.
 No. Production Piles: 9
 No. Test Piles: 0

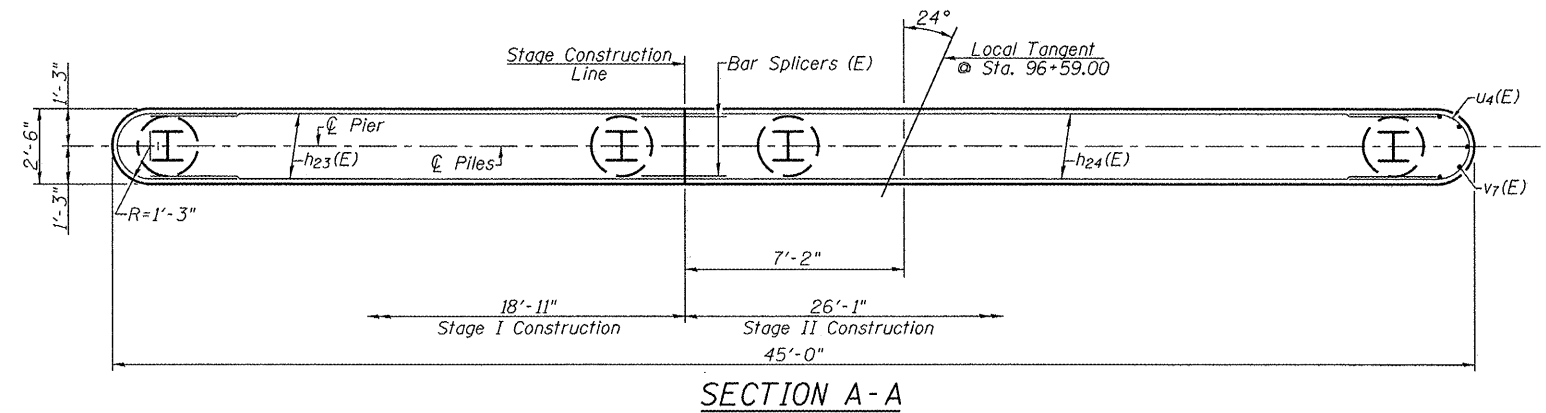
ROUTE NO.	SECTION	COUNTY	TOTAL SHEETS	SHEET NO.	SHEET NO. 26
F.A.S. 2370 (IL. 26)	1-BR	PUTNAM	65	43	31 SHEETS
FED. ROAD DIST. NO. 7	ILLINOIS	FED. AID PROJECT-			

Contract # 68577



BILL OF MATERIAL

Bar	No.	Size	Length	Shape
h23(E)	20	#4	17'-4"	—
h24(E)	20	#4	24'-6"	—
p9(E)	7	#8	17'-4"	—
p10(E)	7	#8	24'-6"	—
s3(E)	59	#4	11'-5"	□
u3(E)	8	#6	10'-1"	U
u4(E)	20	#6	9'-5"	U
u5(E)	32	#4	7'-8"	□
v7(E)	94	#4	10'-10"	—
Structure Excavation		Cu. Yd.	36	
Concrete Structures		Cu. Yd.	54.2	
Reinforcement Bars, Epoxy Coated		Pound	3040	
Furnishing Steel Piles HP 12 x 63		Foot	747	
Driving Piles		Foot	747	
Underwater Structure Excavation Protection-Location 2		Each	1	
Concrete Encasement		Cu. Yd.	3.1	



PIER 2
 ILLINOIS ROUTE 26 OVER
 COFFEE CREEK
 F.A.S. ROUTE 2370
 SECTION 1-BR
 PUTNAM COUNTY
 STA. 96+59.00
 STRUCTURE NO. 078-0046