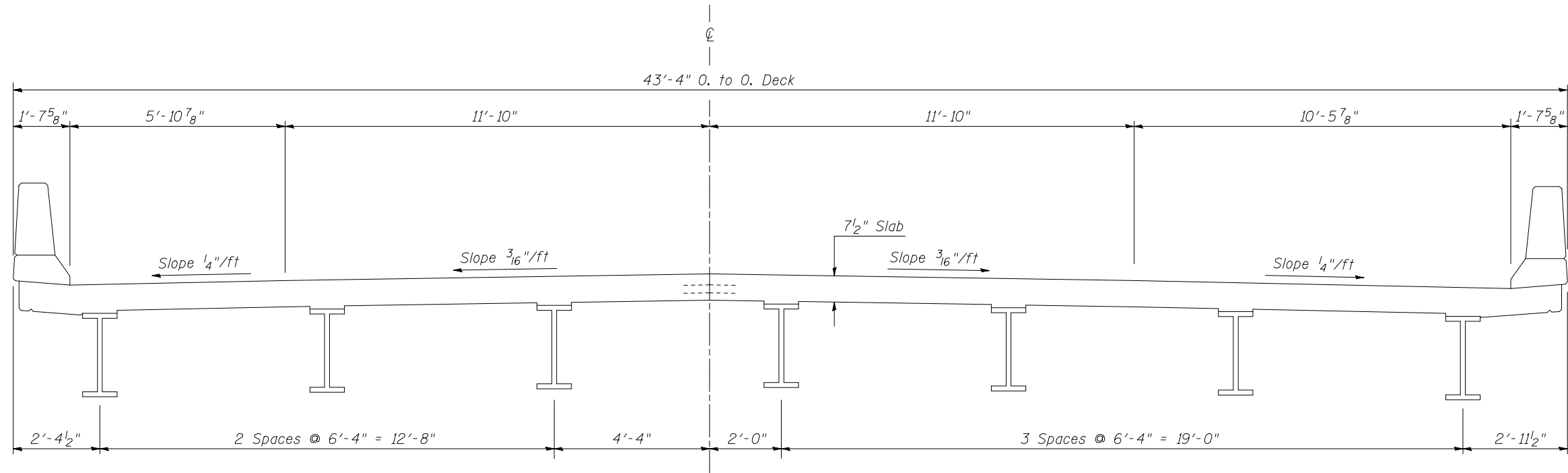


F.A.I. RTE.	SECTION	COUNTY	TOTAL SHEETS	SHEET NO.
57	*	DOUGLAS	76	48

* (15,21-25,21-26,27)RS-1

EXISTING TYPICAL SECTION
S.N. 021-0001
(N.B. LOOKING NORTH)



EXISTING

F.A.I. 57 OVER
 ABANDONED RAILROAD
 SECTION 21-26VB
 DOUGLAS COUNTY
 S.N. 021-0001 N.B.

SHEET 2 OF 5

ILLINOIS DEPARTMENT OF TRANSPORTATION
EXISTING
TYPICAL SECTION
 F.A.I. ROUTE 57
 SECTION (15,21-25,21-26,27)RS-1
 DOUGLAS COUNTY

SCALE: NOT TO SCALE DRAWN BY: J.P.
 DATE: 02/14/08 CHECKED BY: K.D.