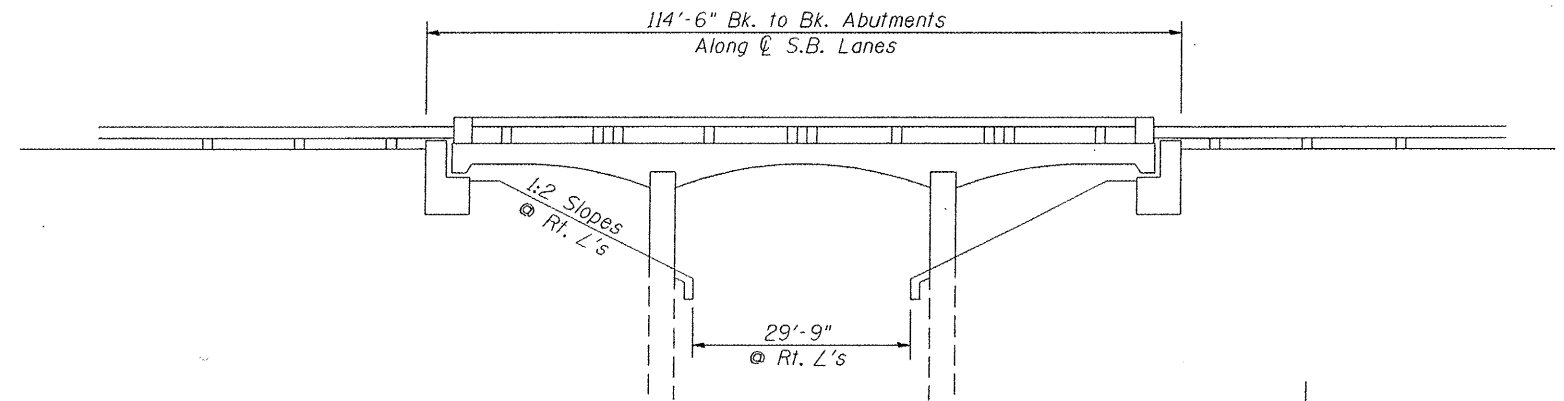


| F.A.I. RTE. | SECTION | COUNTY  | TOTAL SHEETS | SHEET NO. |
|-------------|---------|---------|--------------|-----------|
| 57          | *       | DOUGLAS | 76           | 55        |

\* (15,21-25,21-26,27)RS-1

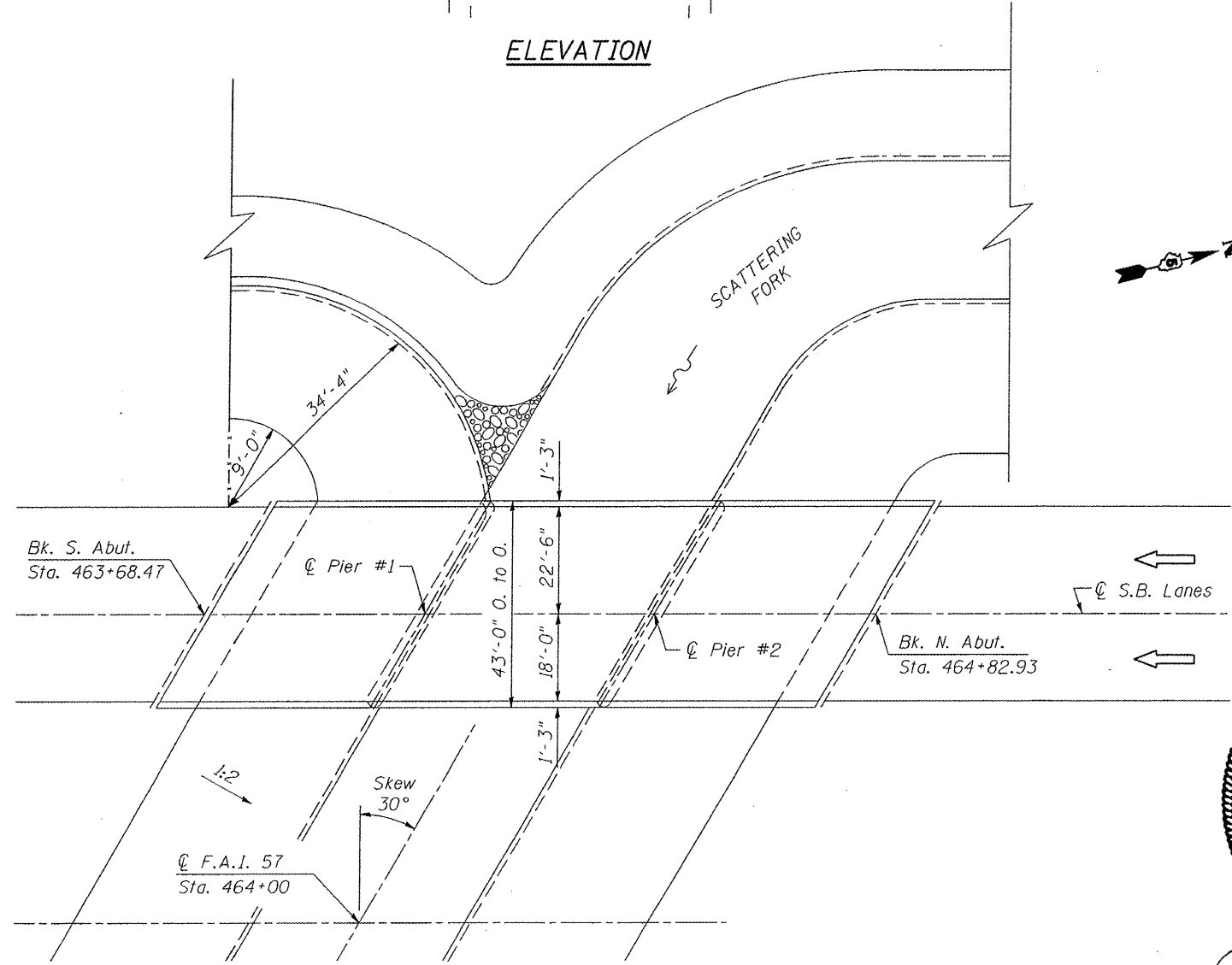
# GENERAL PLAN AND ELEVATION



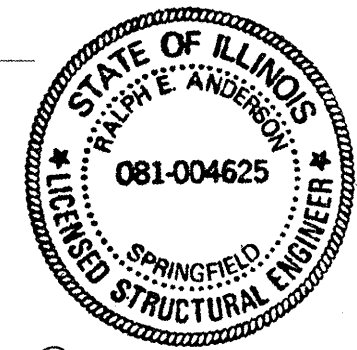
**ELEVATION**

Plan dimensions and details relative to existing plans are subject to routine variations. The Contractor shall field verify existing dimensions and details affecting new construction and make necessary approved adjustments prior to construction or ordering of materials. Such variations shall not be cause for additional compensation for a change in the scope of work, however, the Contractor will be paid for the quantity actually furnished based upon the unit price bid for the work.

| ITEM                   | UNIT  | QUANTITY |
|------------------------|-------|----------|
| Stone Riprap, Class A4 | Ton   | 265.0    |
| Slopedwall Breaking    | Sq Yd | 177.0    |
|                        |       |          |
|                        |       |          |



**PLAN**  
S.N. 021-0008 S.B.



Ralph E. Anderson  
Expires Nov. 30, 2008

F.A.I. 57 OVER SCATTERING FORK  
SECTION 21-27B-2  
DOUGLAS COUNTY  
S.N. 021-0008 S.B.

SHEET 1 OF 2

ILLINOIS DEPARTMENT OF TRANSPORTATION  
**GENERAL PLAN AND ELEVATION**  
F.A.I. ROUTE 57  
SECTION (15,21-25,21-26,27)RS-1  
DOUGLAS COUNTY  
SCALE: NOT TO SCALE  
DATE: 03/12/08  
DRAWN BY: J.P.  
CHECKED BY: K.D.

PLOT DATE = 03/12/08  
 PLOT SCALE = 1/8" = 1'-0"  
 USER NAME = shahyoun