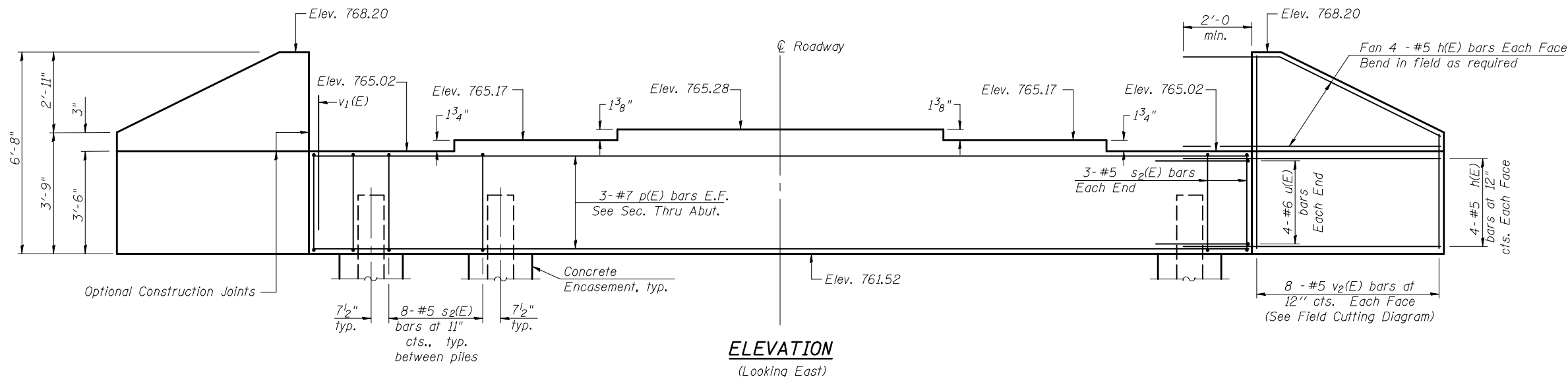
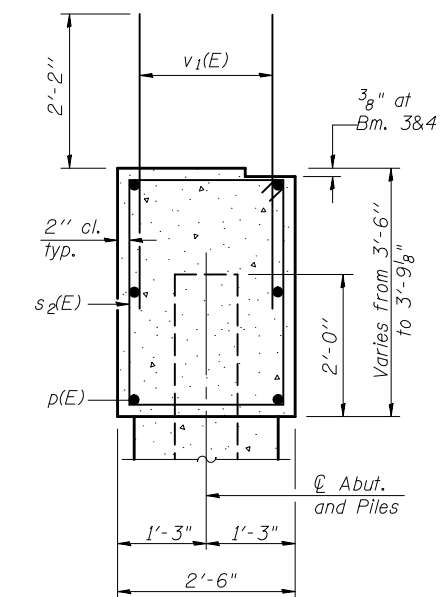


Contract #70517



ELEVATION
(Looking East)



SEC. THRU ABUT.

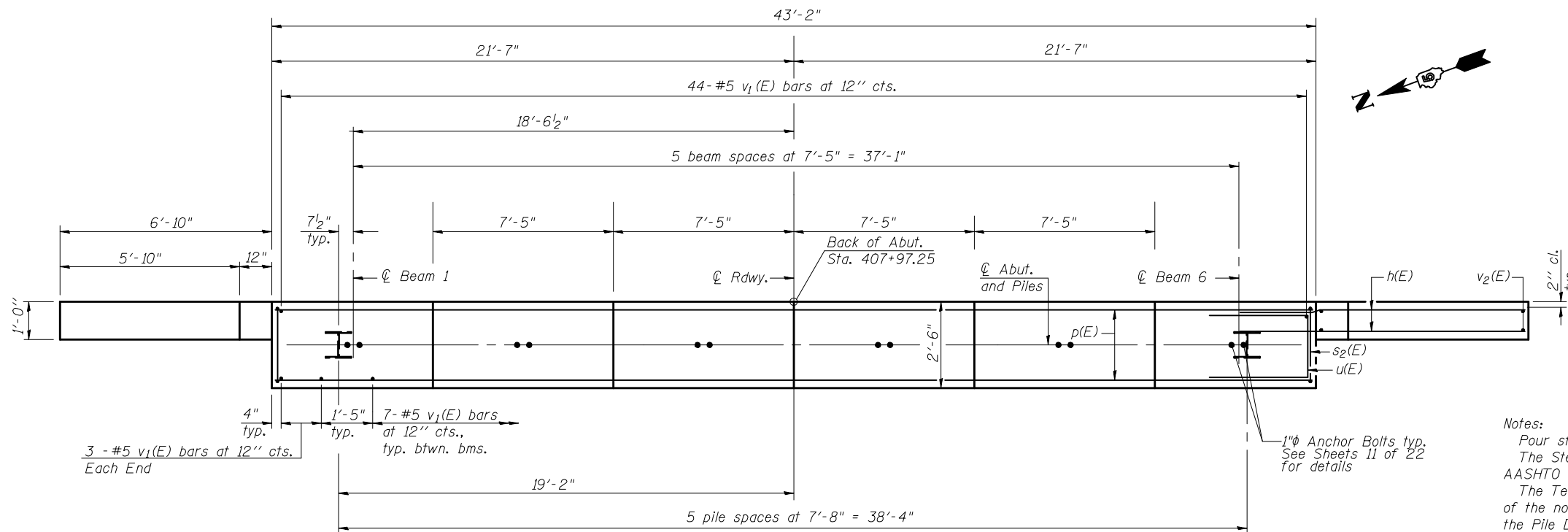
PILE DATA

Type: Steel HP 12X53
 Nominal Required Bearing: 419 kips
 Allowable Resistance Available: 140 kips
 Est. Length: 49 ft.
 No. Production Piles: 5
 No. Test Piles: 1

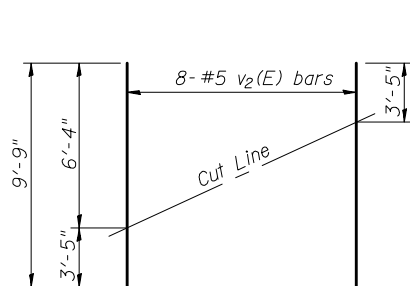
BILL OF MATERIAL

| Bar | No. | Size | Length | Shape |
|----------------------------------|-----|---------|---------|-------|
| h(E) | 32 | #5 | 8'-8" | — |
| p(E) | 6 | #7 | 42'-10" | — |
| s2(E) | 46 | #5 | 11'-7" | □ |
| u(E) | 8 | #6 | 10'-1" | — |
| v1(E) | 85 | #5 | 4'-4" | — |
| v2(E) | 16 | #5 | 9'-9" | — |
| Structure Excavation | | Cu. Yd. | 55.3 | |
| Concrete Structures | | Cu. Yd. | 17.3 | |
| Reinforcement Bars, Epoxy Coated | | Pound | 2040 | |
| Furnishing Steel Piles, 12x53 | | Foot | 245 | |
| Driving Piles | | Foot | 245 | |
| Test Pile, HP 12x53 | | Each | 1 | |
| Concrete Encasement | | Cu. Yd. | 2.1 | |

Notes:
 Pour steps monolithically with cap.
 The Steel H Piles shall be according to AASHTO M270 Grade 50.
 The Test Pile shall be driven to 110 percent of the nominal required bearing indicated in the Pile Data information.
 Space reinforcement to miss anchor bolts.
 All edges to have 3/4" chamfer except as noted.
 For details of Bar Splicers, see sheet 16 of 22.
 For details of piles and Concrete Encasement, see sheet 17 of 22.

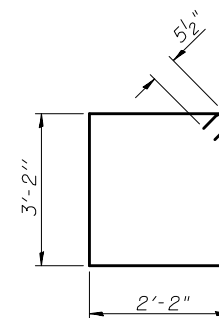


PLAN

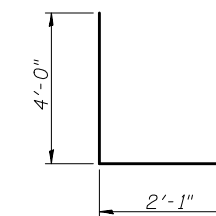


FIELD CUTTING DIAGRAM

Order v2(E) full length. Cut as shown and use remainder of bars in opposite face.



BAR s2(E)



BAR u(E)

EAST ABUTMENT
US. ROUTE 150
OVER KICKAPOO CREEK
FAU ROUTE 6406 SECTION 1(BR-2)
MCLEAN COUNTY
STATION 407+23.50
STRUCTURE NO. 057-0246