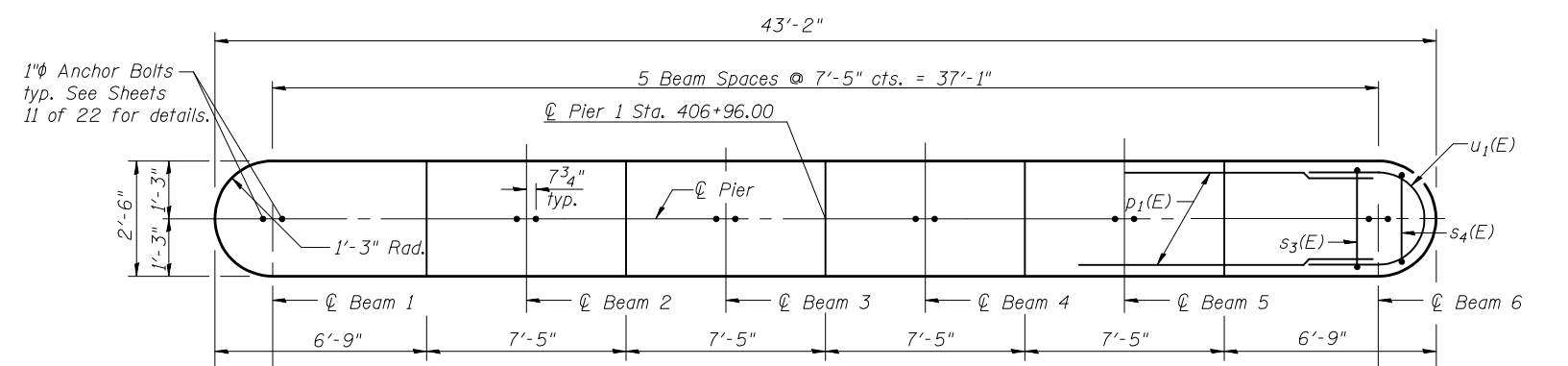
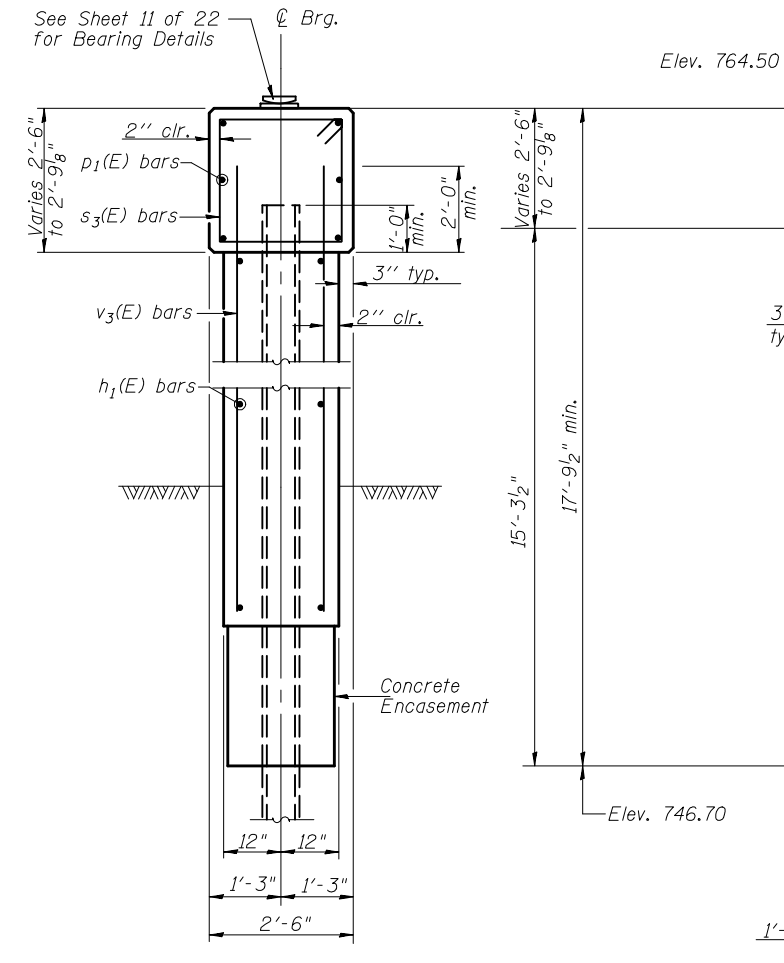


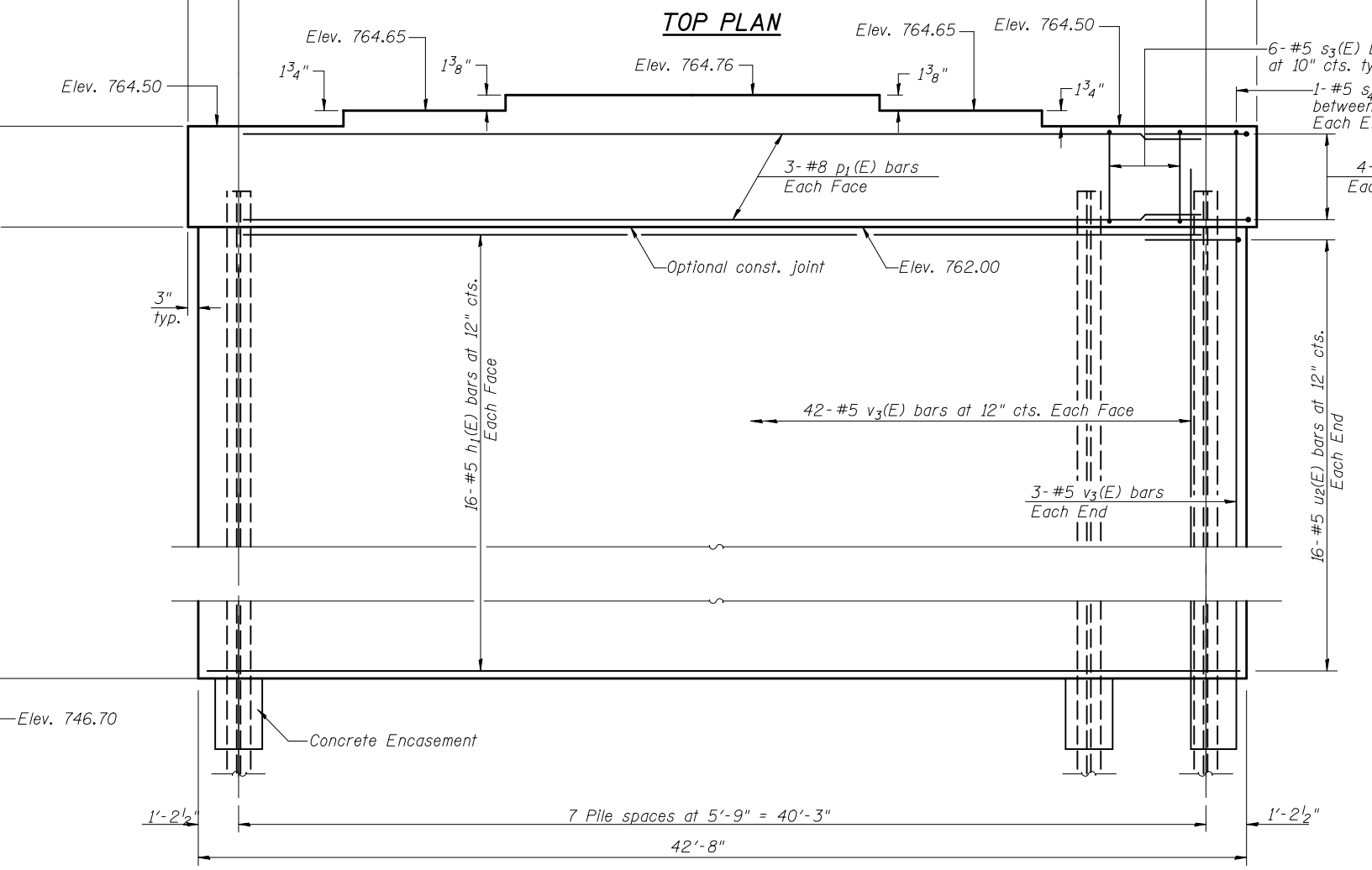
Contract #70517



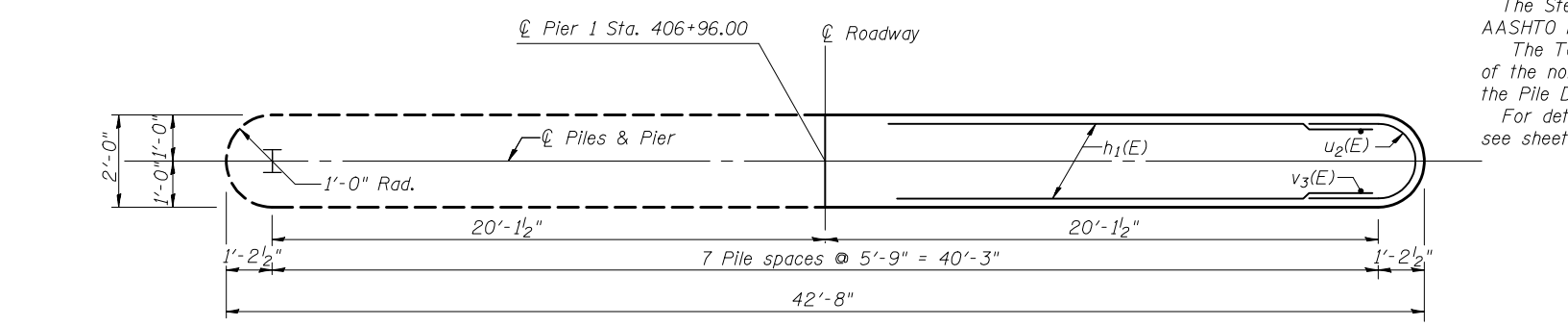
TOP PLAN



END VIEW



ELEVATION
(Looking East)

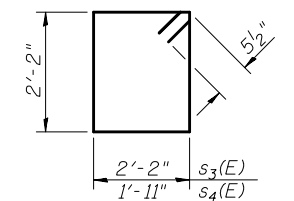


PILE LAYOUT & PIER PLAN

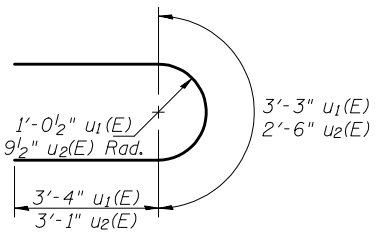
Notes:
 Space reinforcement in cap to miss anchor bolts. Pour steps monolithically with cap.
 The Steel H Piles shall be according to AASHTO M270 Grade 50.
 The Test Pile shall be driven to 110 percent of the nominal required bearing indicated in the Pile Data information.
 For details of piles and concrete encasement see sheet 17 of 22.

PILE DATA

Type: Steel HP 12x53
 Nominal Required Bearing: 419 kips
 Allowable Resistance Available: 140 kips
 Est. Length: 69 ft.
 No. Production Piles: 7
 No. Test Piles: 1



BAR s₃(E) & s₄(E)



BARS u₁(E) & u₂(E)

BILL OF MATERIAL

Bar	No.	Size	Length	Shape
h ₁ (E)	32	#5	40'-8"	—
p ₁ (E)	6	#8	40'-8"	—
s ₃ (E)	42	#5	9'-7"	□
s ₄ (E)	2	#5	9'-1"	□
u ₁ (E)	8	#6	9'-11"	U
u ₂ (E)	32	#5	8'-8"	U
v ₃ (E)	90	#5	17'-2"	—
Structure Excavation		Cu. Yd.	81.9	
Concrete Structures		Cu. Yd.	58.3	
Reinforcement Bars, Epoxy Coated		Pound	4470	
Furnishing Steel Piles, 12x53		Foot	483	
Driving Piles		Foot	483	
Test Pile, HP 12x53		Each	1	
Concrete Encasement		Cu. Yd.	2.8	
Underwater Structure Excavation Protection, Location 2		Each	1	

PIER 1
US. ROUTE 150
OVER KICKAPOO CREEK
FAU ROUTE 6406 SECTION (BR-2)
MCLEAN COUNTY
STATION 407+23.50
STRUCTURE NO. 057-0246