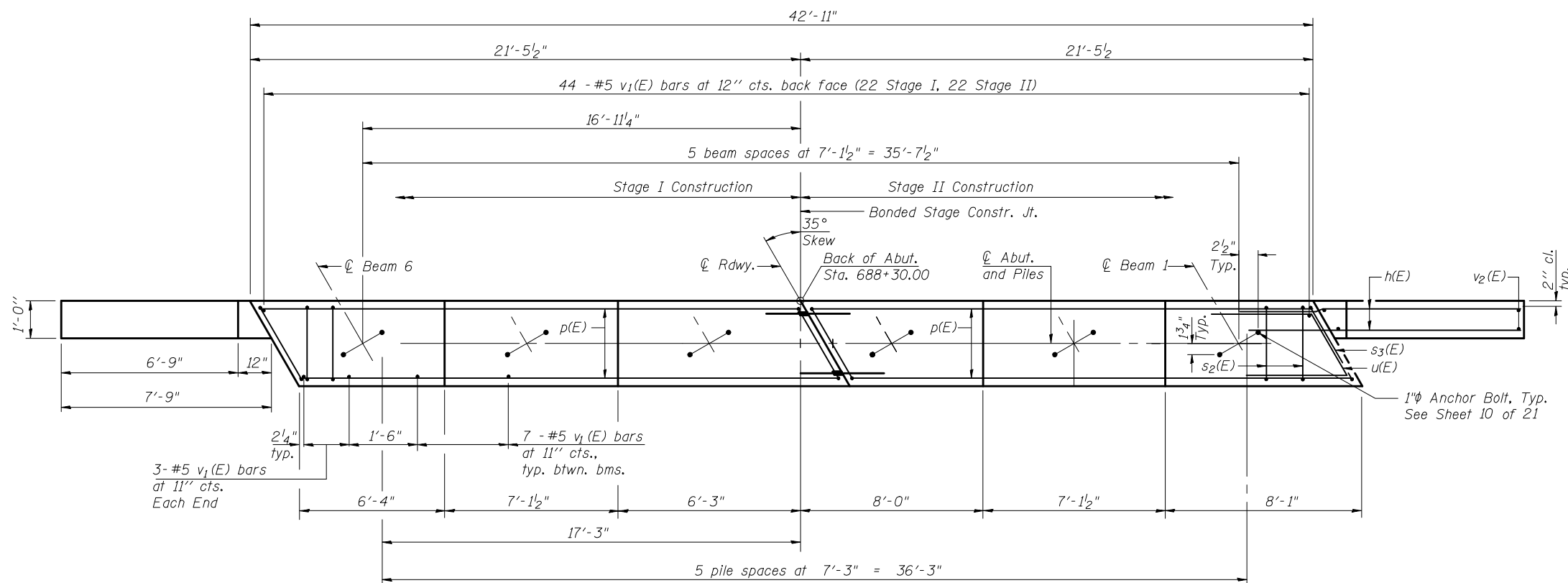
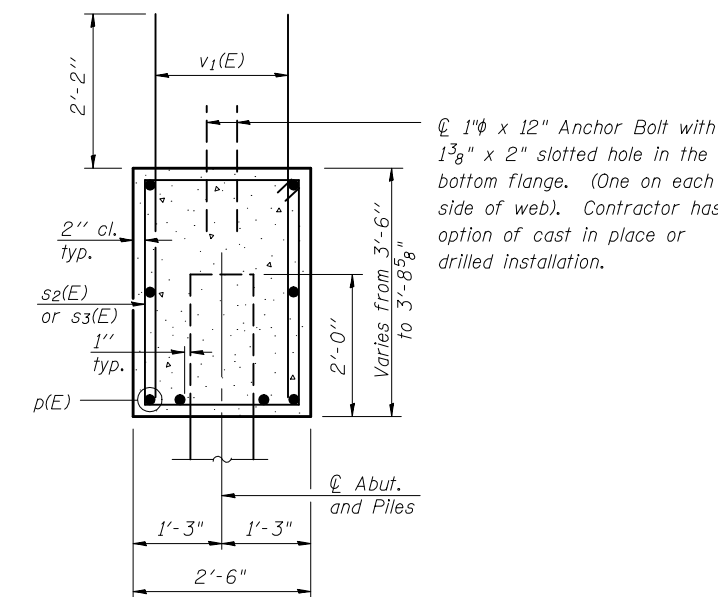
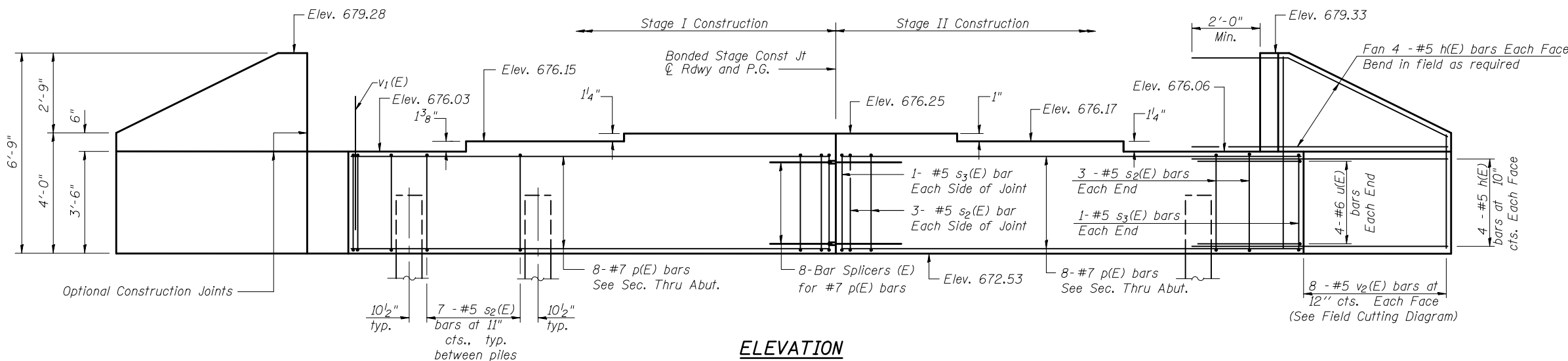


ROUTE NO.	SECTION	COUNTY	TOTAL SHEETS	SHEET NO.
FAP 836	118 BR-2	Champaign	45	24
FED. ROAD DIST. NO. 5		ILLINOIS	FED. AID PROJECT-	

SHEET NO. 13
21 SHEETS



BILL OF MATERIAL

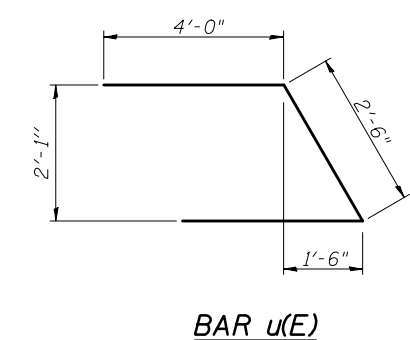
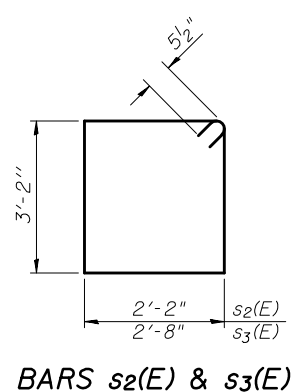
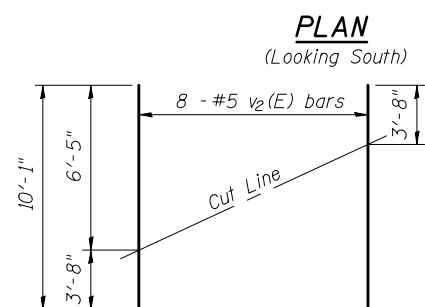
Bar	No.	Size	Length	Shape
h(E)	32	#5	10'-0"	—
p(E)	16	#7	21'-0"	—
s ₂ (E)	40	#5	11'-7"	□
s ₃ (E)	4	#5	12'-7"	□
u(E)	8	#6	10'-6"	┘
v ₁ (E)	85	#5	4'-4"	—
v ₂ (E)	16	#5	10'-1"	—
Concrete Structures		Cu. Yd.	17.3	
Reinforcement Bars, Epoxy Coated		Pound	2235	
Structure Excavation		Cu. Yd.	114	
Furnishing Metal Shell Piles 14"x0.250"		Ft	162	
Driving Piles		Ft	162	

For details of Bar Splicers, see sheet 16 of 21.
For details of piles, see sheet 18 of 21.

All edges to have 3/4" chamfer except as noted.
Pour steps monolithically with cap.
Space reinforcement to miss anchor bolts.

PILE DATA

Type: Metal Shell Pile, 14" x 0.250"
Nominal Required Bearing: 240 kips
Factored Resistance Available: 120 kips
Est. Length: 27 ft.
No. Production Piles: 6



REVISIONS	
NAME	DATE

ILLINOIS DEPARTMENT OF TRANSPORTATION
SOUTH ABUTMENT DETAILS
IL RTE. 49 OVER LITTLE VERMILION RIVER
FAP 836 SECTION 118BR-2
CHAMPAIGN COUNTY
STA. 688+85 STR. NO. 010-0284

SCALE: VERT. HORIZ.
DATE MAY 2008

DRAWN BY RMH
CHECKED BY MJS

TUC PROJ. # 3107012-01
PLOT DATE = 8/19/2008 3:59:56 PM
FILE NAME = ...bridge\11r-abut.dgn