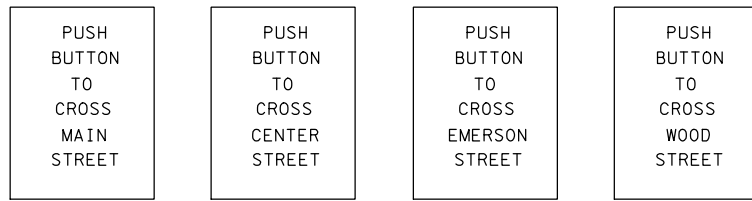
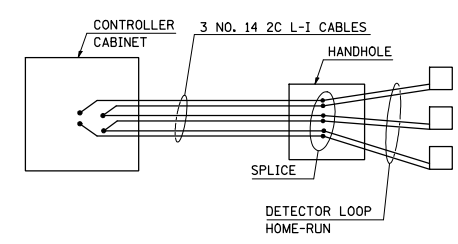


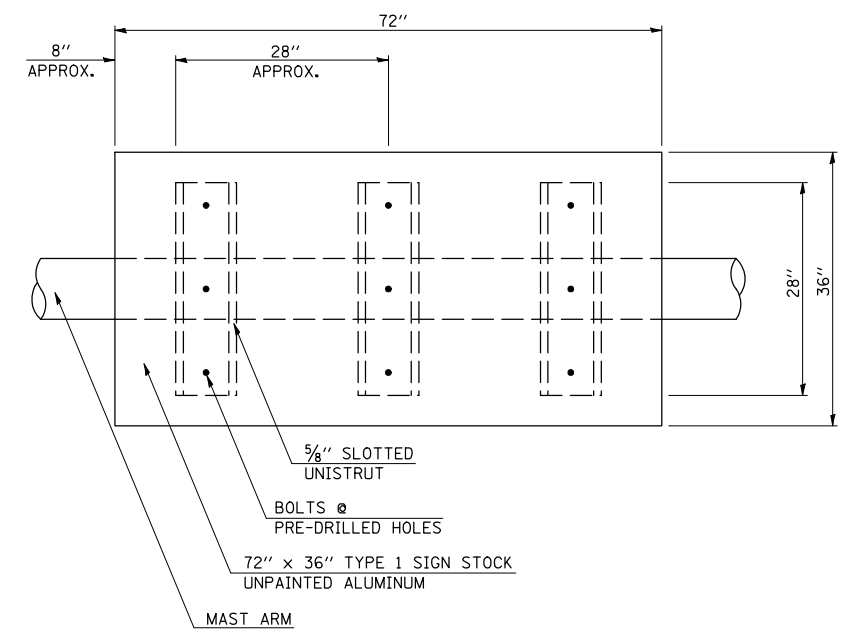
**DETAIL OF MAST ARM FOUNDATION
BOLT PATTERN**

**DETAIL OF DETECTOR LOOP WIRING
WIRED IN SERIES WITH MULTI-PAIR CABLE**

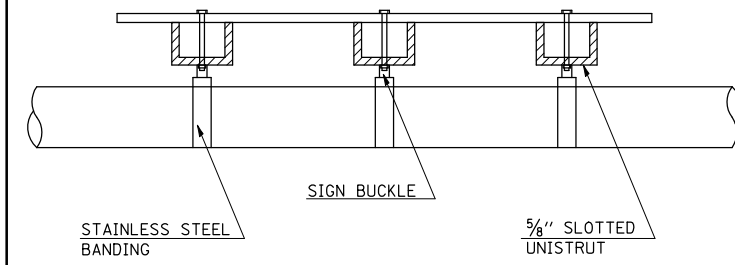


PEDESTRIAN PUSH-BUTTON SIGNS

MAST ARM DAMPENING DEVICE MOUNTING DETAIL

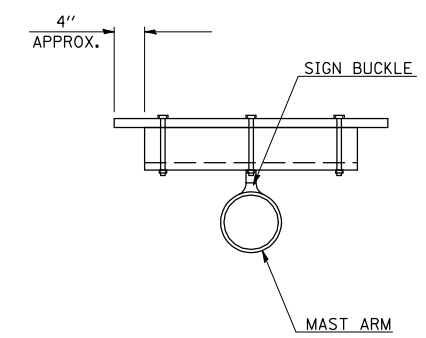


PLAN VIEW



ELEVATION

NOTE: PAINT ENDS OF UNISTRUT WITH SPRAY ON GALVANIZED PAINT



CROSS SECTION

FILE NAME = c:\projects\d570730\emerson_street.dgn	USER NAME = biggsrd	DESIGNED - RDB	REVISED -
		DRAWN - RDB	REVISED -
	PLOT SCALE = 40.0000' / IN.	CHECKED -	REVISED -
	PLOT DATE = 8/22/2008	DATE -	REVISED -

**STATE OF ILLINOIS
DEPARTMENT OF TRANSPORTATION**

SCALE:	SHEET NO.	OF	SHEETS	STA.	TO	STA.
--------	-----------	----	--------	------	----	------

F.A. RTE.	SECTION	COUNTY	TOTAL SHEETS	SHEET NO.
730	(8CS)TS+(62Z)TS+(62Z-2)TS	MCLEAN	14	14
FED. ROAD DIST. NO. ILLINOIS FED. AID PROJECT			CONTRACT NO. 70730	