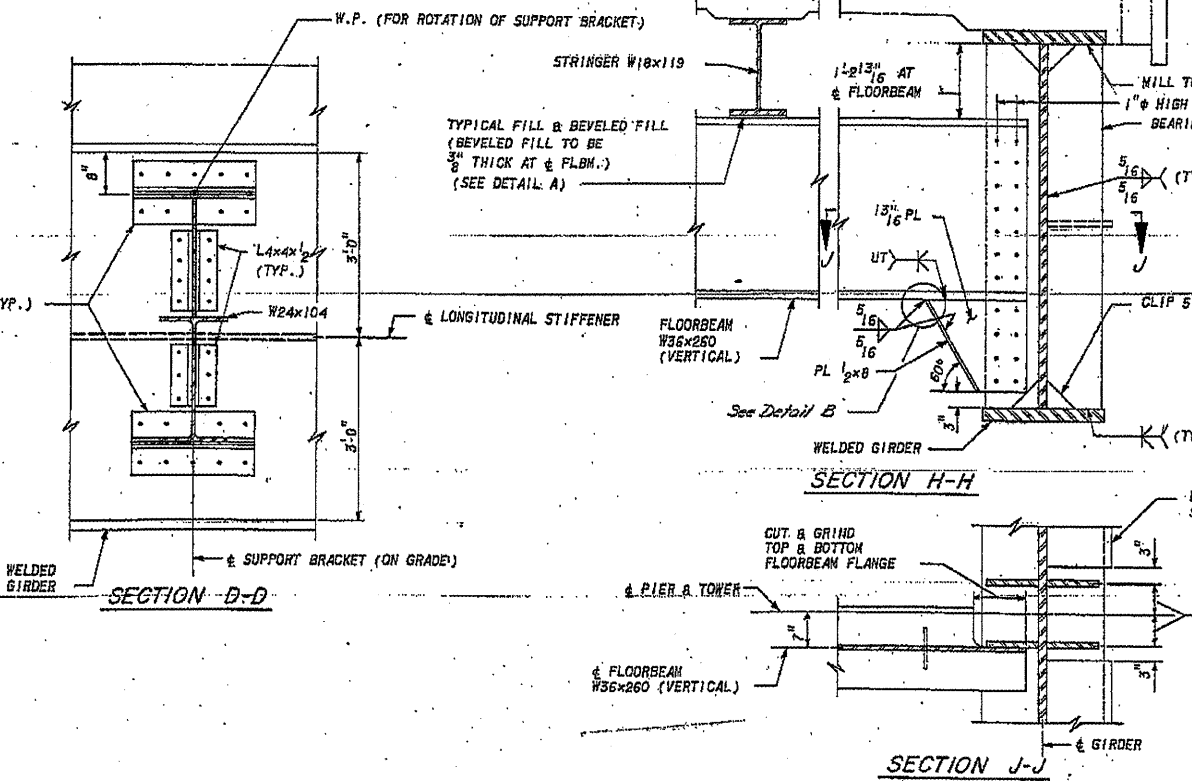
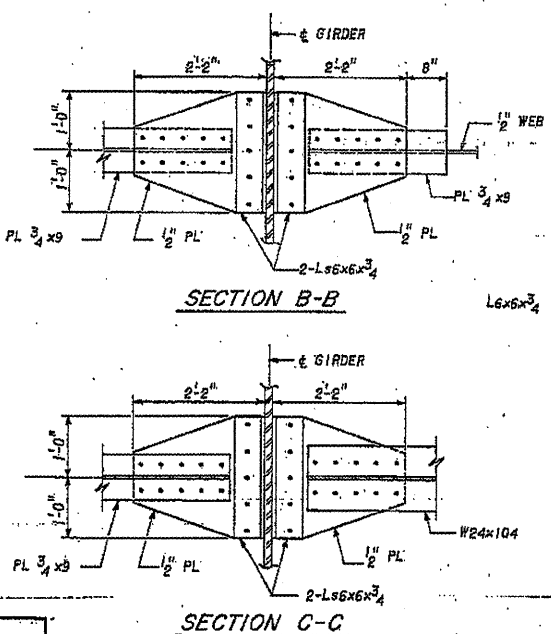
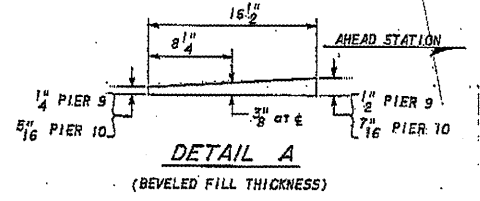
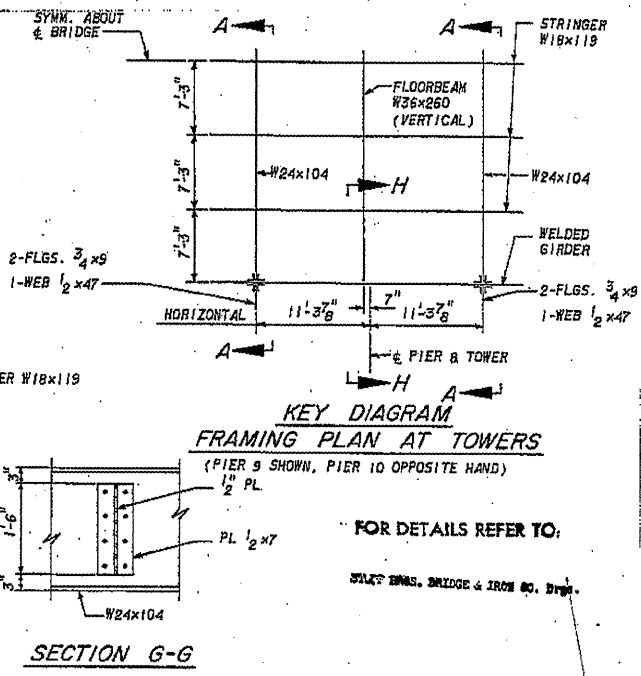
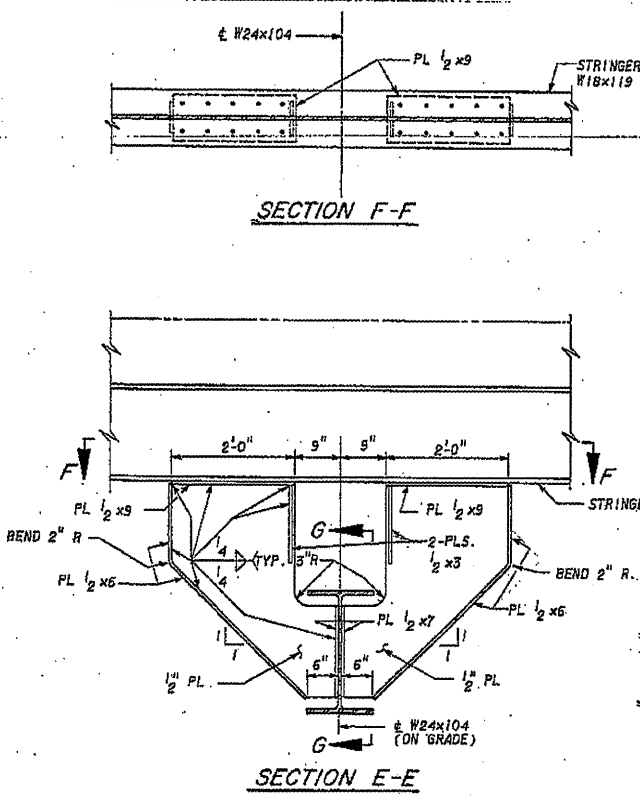
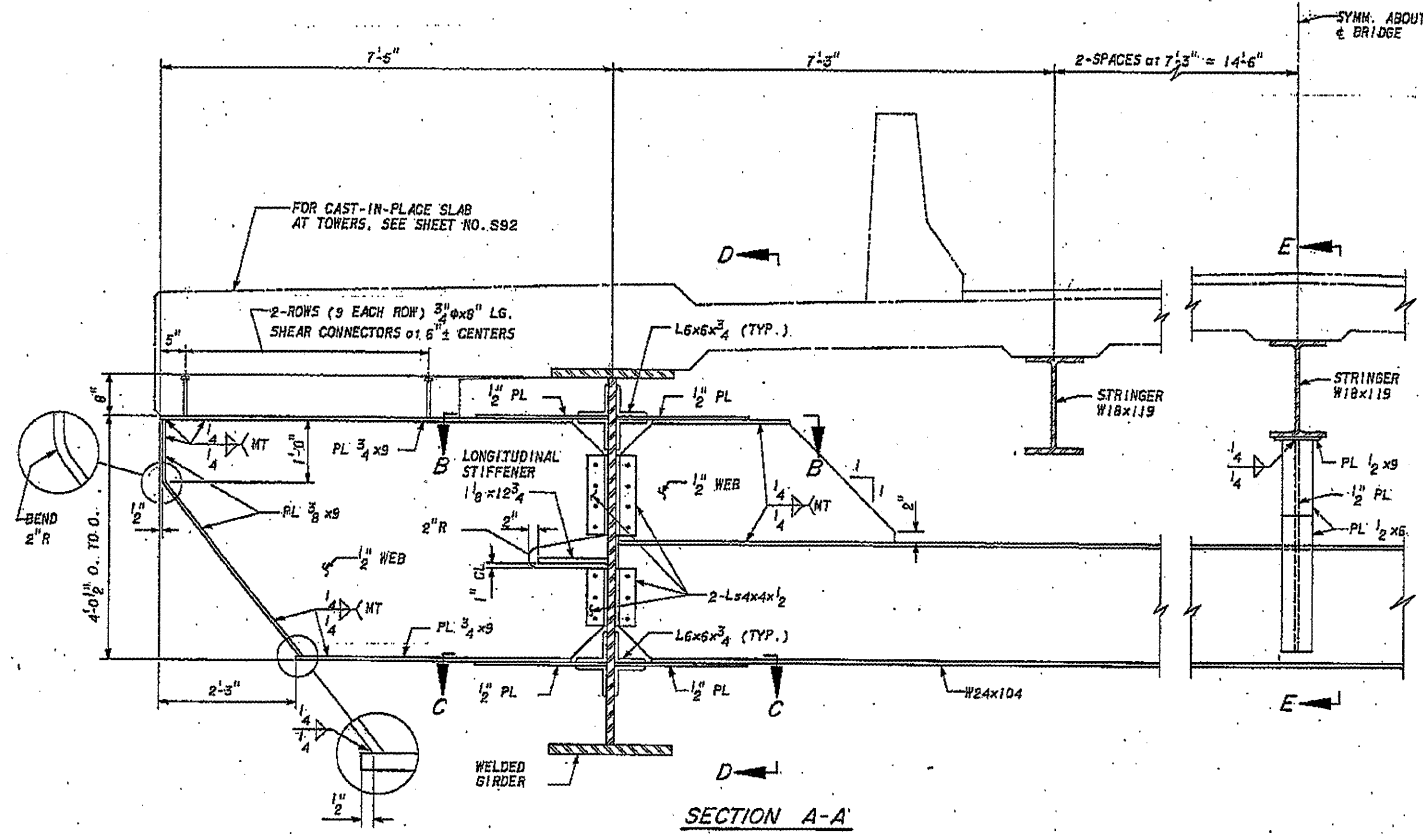
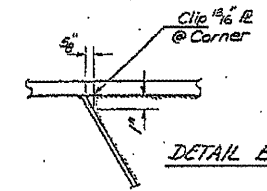


ROUTE NO.	SECTION	COUNTY	TOTAL SHEETS	SHEET NO.	SHEET NO. 569
S.A. 63	1-2B-1-2(2)	ADAMS	339	263	SHEETS 125
FED. ROAD DIST. NO. 7	ILLINOIS	FED. AID PROJECT	BR-F-63(1)		



NOTES:
ALL FASTENERS SHOWN ON THIS SHEET SHALL BE 7/8" AASHTO M164, UNLESS NOTED.



STEEL ALTERNATIVE

REV. NO.	DRAWN	CHKD.	APPD.	DESCRIPTION	DATE
	HE			CONSTRUCTED IN ESSENTIAL COMPLIANCE 7/87	
	F A ROUTE 63 (U.S. ROUTE 24) OVER MISSISSIPPI RIVER QUINCY, ILLINOIS				
	SUPPORT BRACKET AT PIERS 9 & 10				

PREPARED BY
MODJESKI AND MASTERS
CONSULTING ENGINEERS
FOR
Booker
Engineers Architects Planners
1138 Olive Street, St. Louis, Missouri 63101

DRAWN: SLH
CHKD.: CWH
APPD.: HEW
DATE: MAY 1983

EXISTING STEEL PLANS FOR INFORMATION ONLY