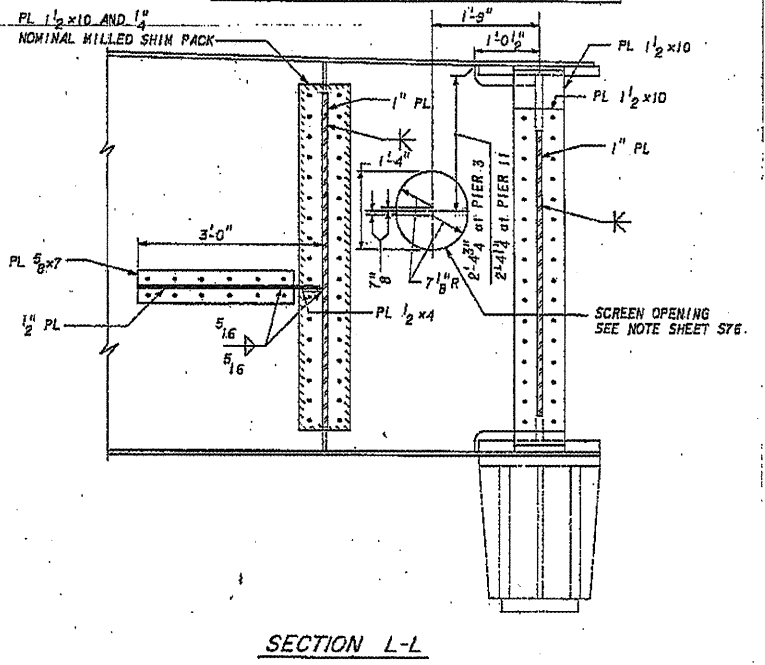
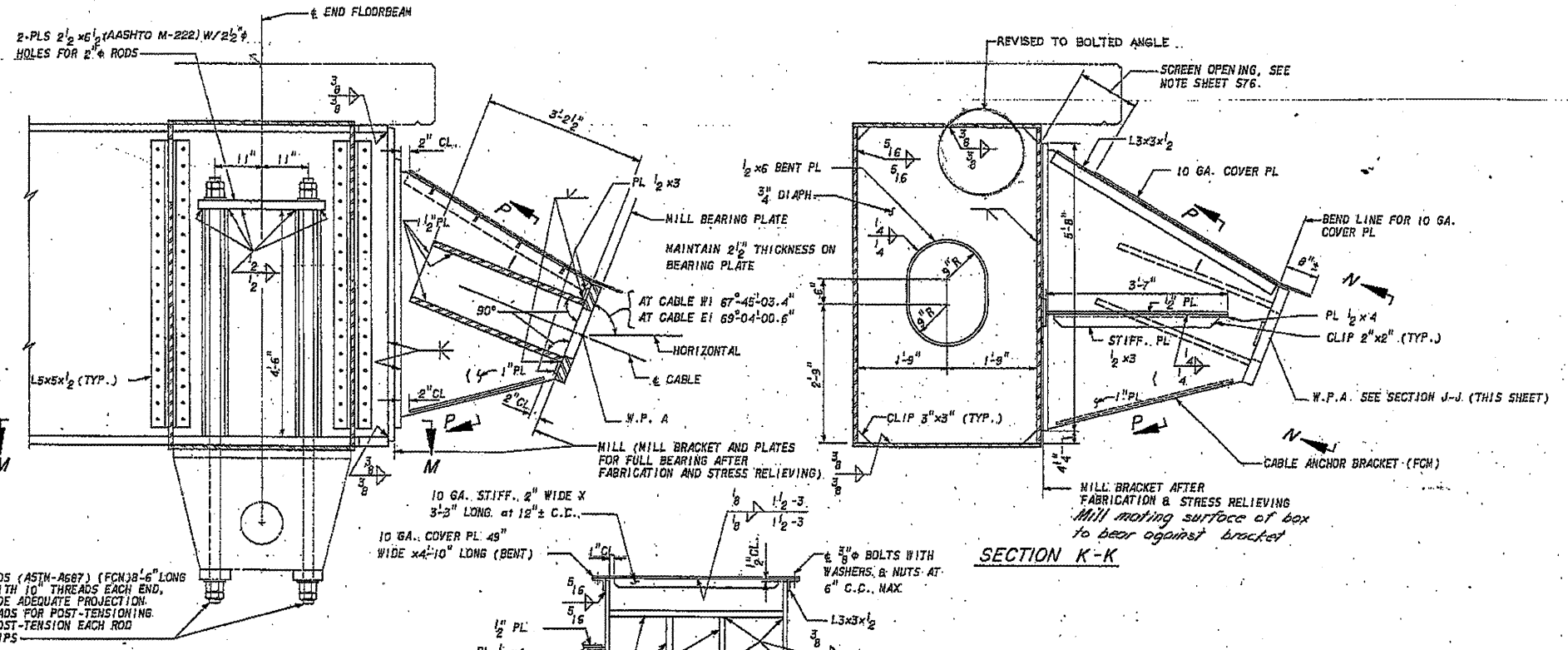


ROUTE NO.	SECTION	COUNTY	TOTAL SHEETS	SHEET NO.	SHEET NO. 577
S.B. 63	1-2B-1-2(2)	ADAMS	339	271	SHEETS 125
F.A. DIST. NO. 7	ILLINOIS	FED. AID PROJECT BR-F-63(1)			



FOR DETAILS REFER TO:
STIFF BRGS. BRIDGE & IRON CO. DRG.

NOTES:
FOR LOCATIONS OF SECTIONS J-J, K-K & L-L, SEE SHEET NO. 576.
ALL FASTENERS SHALL BE 1" A.H.S., BOLTS UNLESS NOTED.
ALL FABRICATED STRUCTURAL STEEL SHALL BE AASHTO M-223 GRADE 50, UNLESS NOTED.
FOR STATION AND ELEVATION OF W.P.A., SEE SHEET NO. S20.

PREPARED BY
MODJESKI AND MASTERS
CONSULTING ENGINEERS
FOR
Booker
Engineers Architects Planners
1139 Olive Street, St. Louis, Missouri 63101

DRAWN: SLH
CHKD: CWH
APPD: HEW
DATE: MAY 1983

STEEL ALTERNATIVE			
REV. NO.	DRAWN	CHKD.	APPD.
	HEE		
CONSTRUCTED IN ESSENTIAL COMPLIANCE			9-87
DESCRIPTION			DATE
F A ROUTE 63 (U.S. ROUTE 24) OVER MISSISSIPPI RIVER QUINCY, ILLINOIS			
END FLOORBEAM AND TIE DOWN DETAILS - 3			

EXISTING STEEL PLANS
FOR INFORMATION ONLY