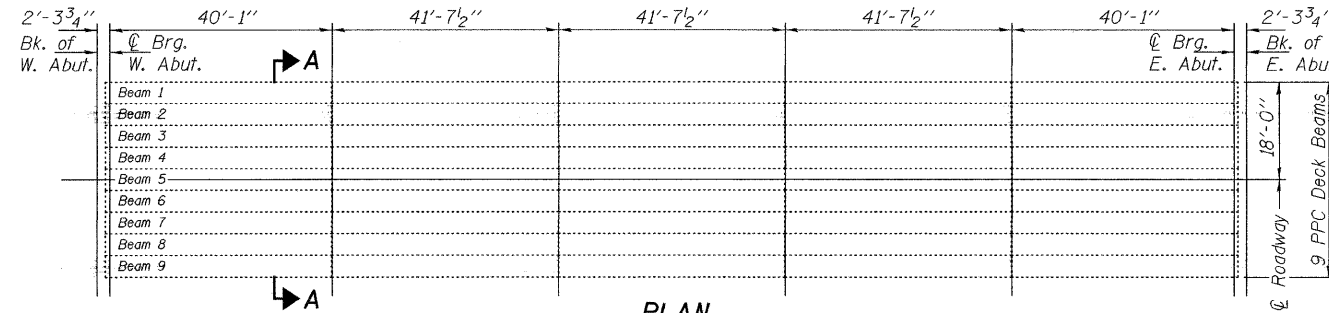
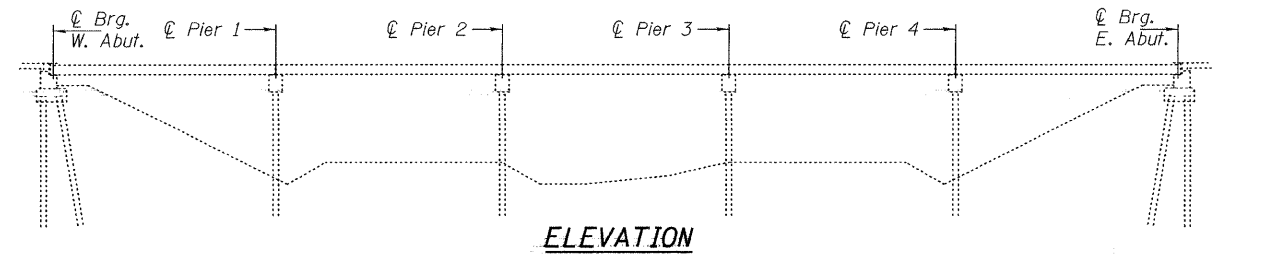


STATE OF ILLINOIS
DEPARTMENT OF TRANSPORTATION

* DT Bridge Repair 2009-1

ROUTE NO.	SECTION	COUNTY	TOTAL SHEETS	SHEET NO.	SHEET NO. 1 1 SHEETS
FAP 327	*	Lawrence	6	6	
FED. ROAD DIST. NO. 7	ILLINOIS	FED. AID PROJECT-			

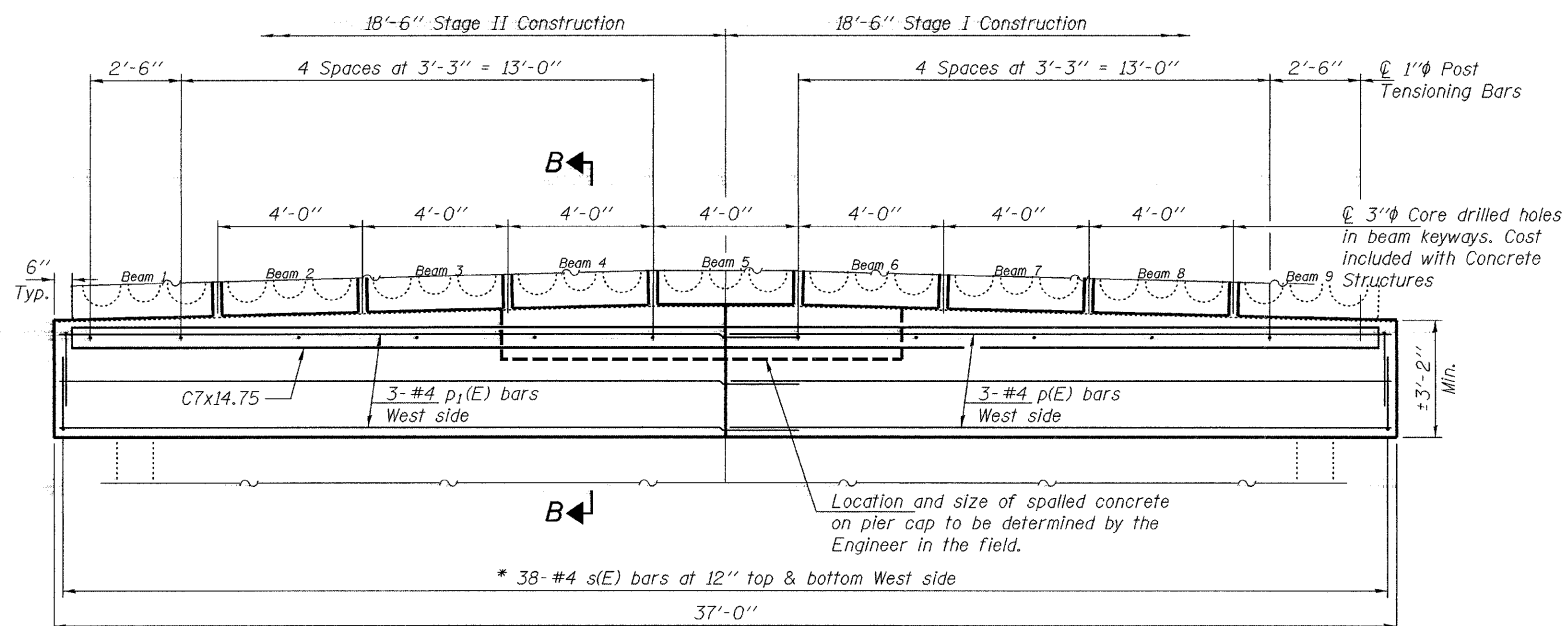
Contract Number: 74347



PLAN
(SN 051-0028 shown, SN 51-0029 similar)

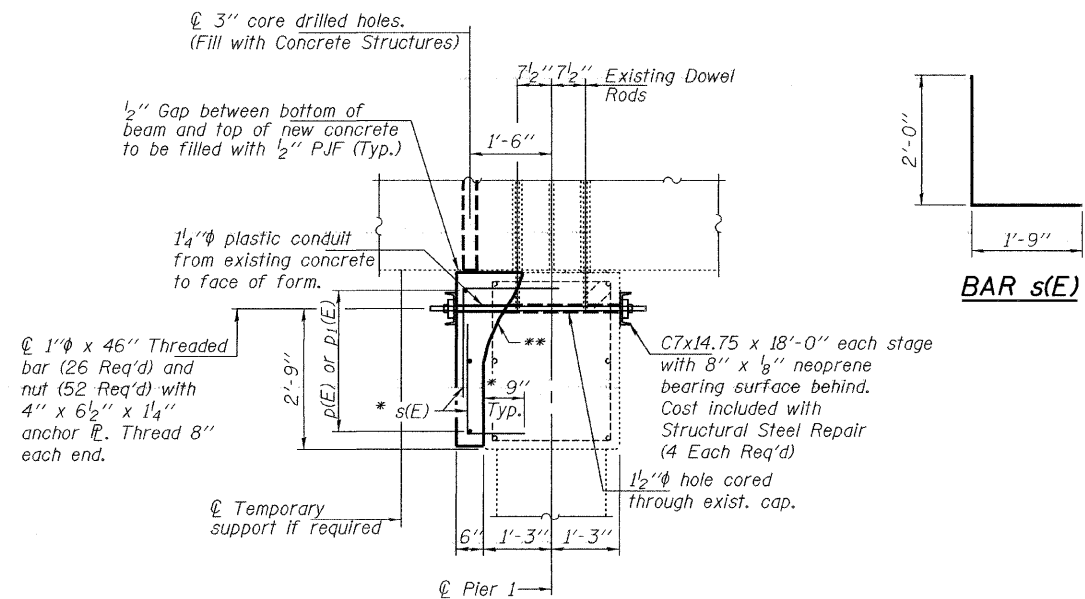
GENERAL NOTES

The Contractor shall use extreme care during concrete removal so as not to damage the PPC Deck beams.
Existing exposed reinforcement shall be cleaned, straightened and incorporated into the new construction.
Any reinforcement bars that are damaged during concrete removal shall be replaced with an approved bar splicer or anchorage system. Cost shall be included with Concrete Structures.
Plan dimensions and details relative to existing plans are subject to routine variations. The Contractor shall field verify existing dimensions and details affecting new construction and make necessary approved adjustments prior to construction or ordering of materials. Such variations shall not be cause for additional compensation for a change in scope of the work, however, the Contractor will be paid for the quantity actually furnished based upon the unit price bid for the work.
Reinforcement bars shall conform to the requirements of ASTM A 706 Gr 60 (IL Modified).
Reinforcement bars designated (E) shall be epoxy coated.
Self consolidating concrete shall be used throughout. See Special Provisions.



SECTION A-A

Stage I traffic control shall remain in place until Stage I concrete has cured.
Stage II traffic control shall remain in place until Stage II concrete has cured.



SECTION B-B

* Drill and epoxy grout 9" min. into existing cap according to Article 584 of the Standard Specifications. Trim leg to maintain minimum clearance. Cost included with Reinforcement Bars, Epoxy Coated.

TOTAL BILL OF MATERIAL

Bar	No.	Size	Length	Shape
p(E)	6	#4	20'-6"	—
p ₁ (E)	6	#4	18'-4"	—
s(E)	152	#4	3'-9"	L
Structural Steel Repair		Pound	2410	
Concrete Structures		Cu. Yd.	4.7	
Reinforcement Bars, Epoxy Coated		Pound	540	

PIER CAP REPAIR DETAILS
FAP 327 OVER ALLISON DITCH
LAWRENCE COUNTY
SN 051-0028 & 0029

DESIGNED	Victor H. Veliz
CHECKED	Ramin A. Fakhri
DRAWN	baliva
CHECKED	VHV DR

SEPTEMBER 9, 2008
EXAMINED *[Signature]*
ENGINEER OF STRUCTURAL SERVICES
PASSED *[Signature]*
ENGINEER OF BRIDGES AND STRUCTURES



** To ensure stability of the existing beams, the removal shall not go deeper than the existing dowel rods. Cost included with Concrete Structures.

Expires: November 30, 2008