

DESIGN		
INT.	DATE	REASON

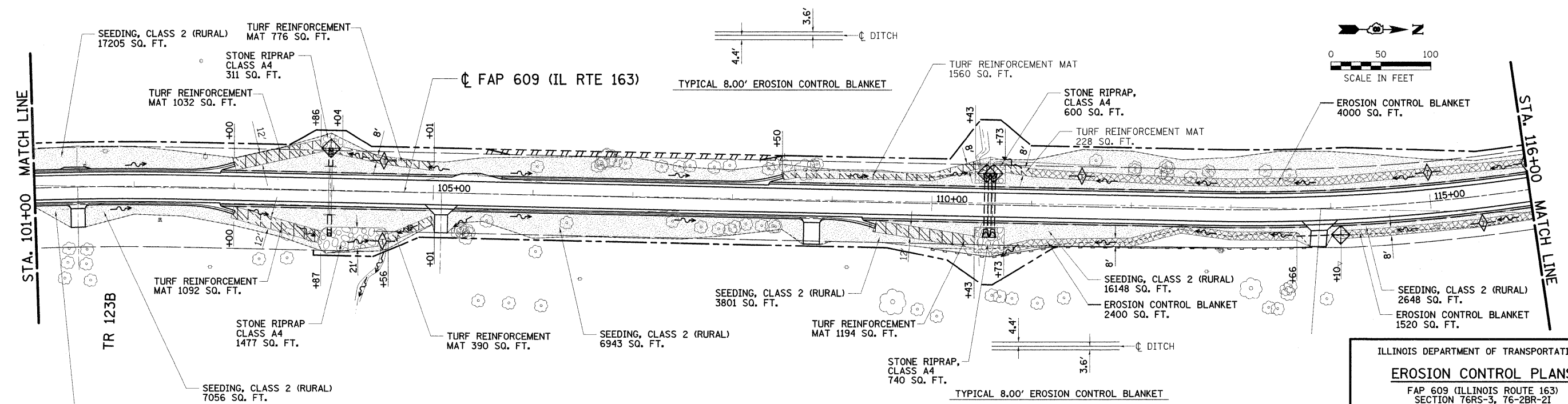
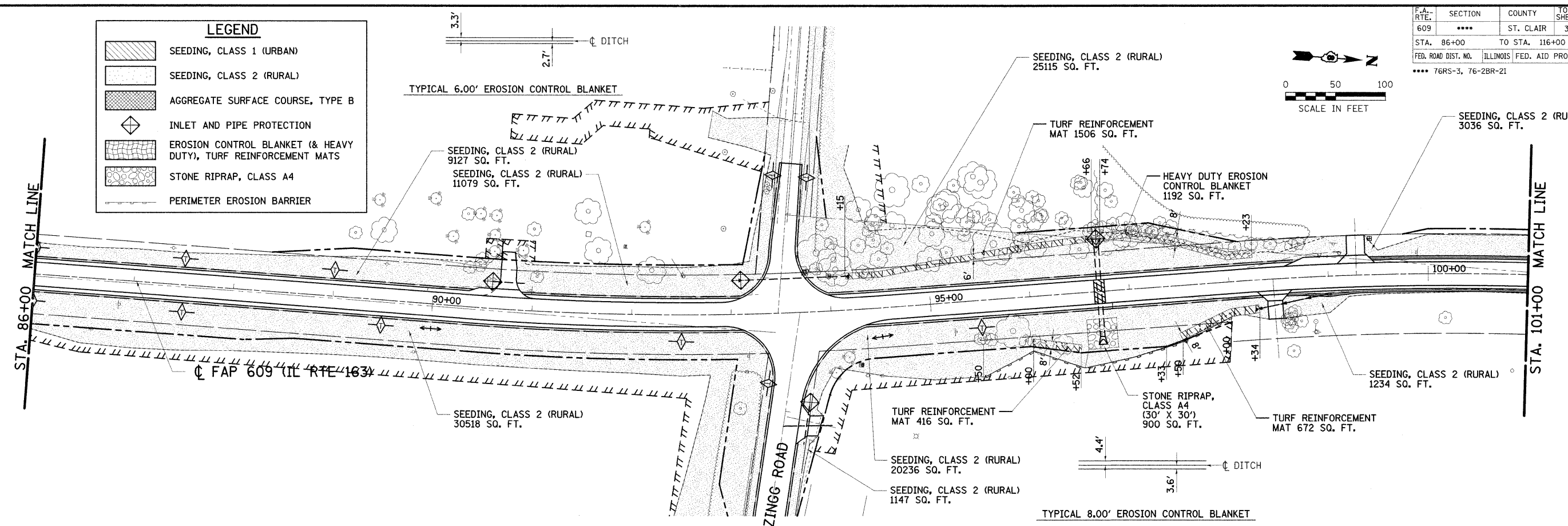
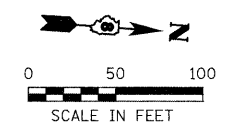
PLOTS & CHECKS		
INT.	DATE	REASON

CHECKS		
INT.	DATE	REASON

LEGEND

- SEEDING, CLASS 1 (URBAN)
- SEEDING, CLASS 2 (RURAL)
- AGGREGATE SURFACE COURSE, TYPE B
- INLET AND PIPE PROTECTION
- EROSION CONTROL BLANKET (& HEAVY DUTY), TURF REINFORCEMENT MATS
- STONE RIPRAP, CLASS A4
- PERIMETER EROSION BARRIER

F.A. SECTION COUNTY TOTAL SHEET	609 ***** ST. CLAIR 350	SHEET NO. 66
STA. 86+00 TO STA. 116+00	FED. ROAD DIST. NO. ILLINOIS FED. AID PROJECT	
***** 76RS-3, 76-2BR-21		



ILLINOIS DEPARTMENT OF TRANSPORTATION

EROSION CONTROL PLANS

FAP 609 (ILLINOIS ROUTE 163)
SECTION 76RS-3, 76-2BR-21
ST. CLAIR COUNTY

SCALE: VERT. _____
HORIZ. _____
DATE: 6/21/07

DRAWN BY: SUTHEARD
DESIGNED BY: BOTT
CHECKED BY: BOTT

COMPUTER FILE NO.
EROSION05_V8

PROJECT 02076
6/21/07-MDS

GREENE & BRADFORD, INC.
OF SPRINGFIELD
REGISTERED PROFESSIONAL ENGINEERS
ILLINOIS LICENSE NO. 042-0002
REGISTERED PROFESSIONAL LAND SURVEYORS
ILLINOIS LICENSE NO. 042-0002

REVISIONS		
NAME	DATE	
IDOT REVIEW	MAR/08	