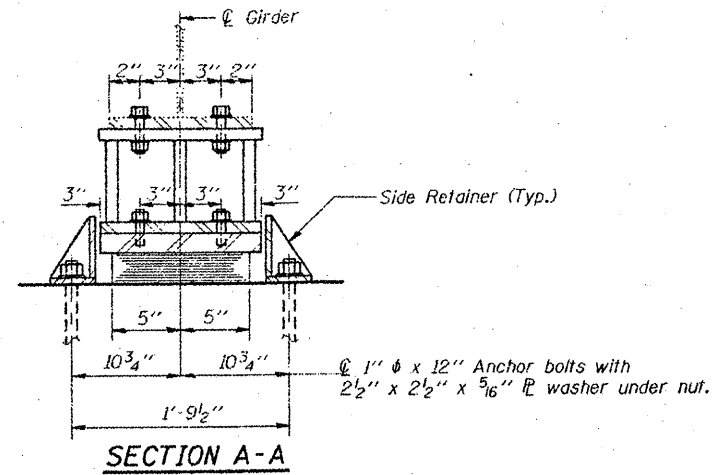
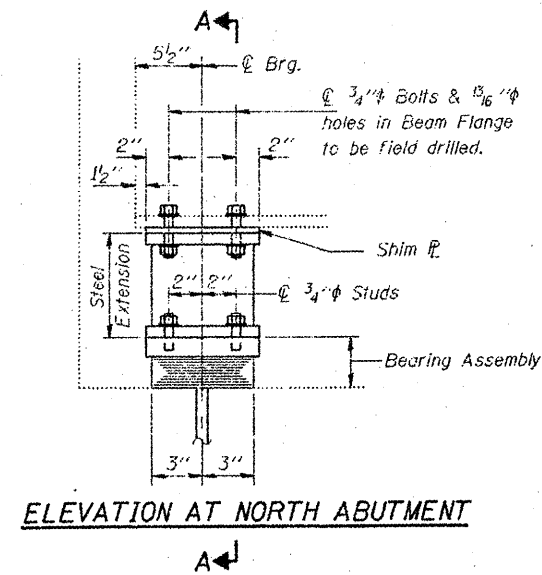


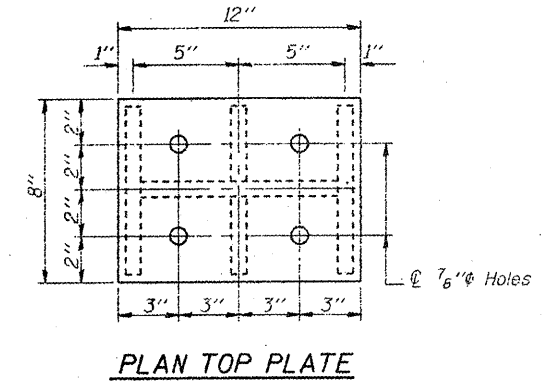
STATE OF ILLINOIS
DEPARTMENT OF TRANSPORTATION

VARIOUS ROUTES
D9 BRIDGE PAINTING FY 09-1
VARIOUS COUNTIES
CONTRACT 78093
FOR INFORMATION ONLY
SHEET 11 OF 31

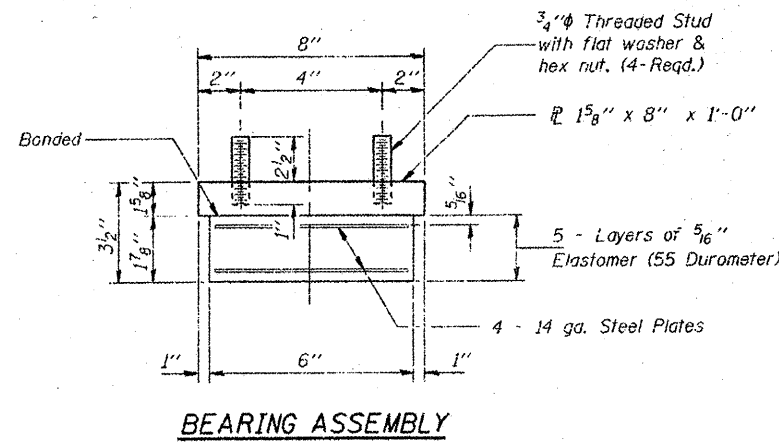


GIRDER REACTIONS

R _P	(K)	15.0
R _L	(K)	29.3
Imp.	(K)	8.8
R (Total)	(K)	53.1

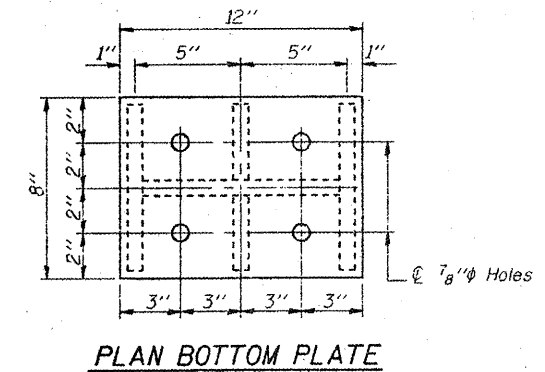
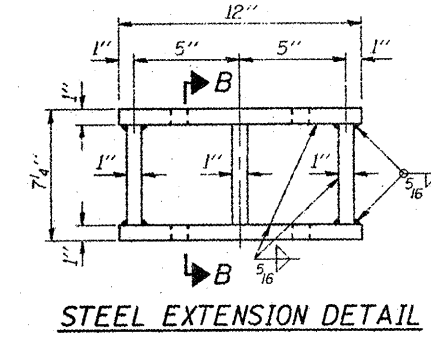
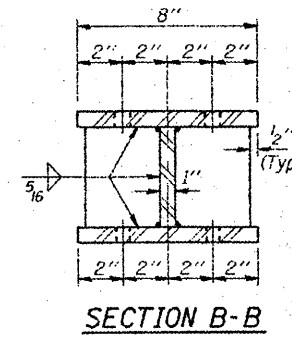


TYPE I ELASTOMERIC EXP. BRG.



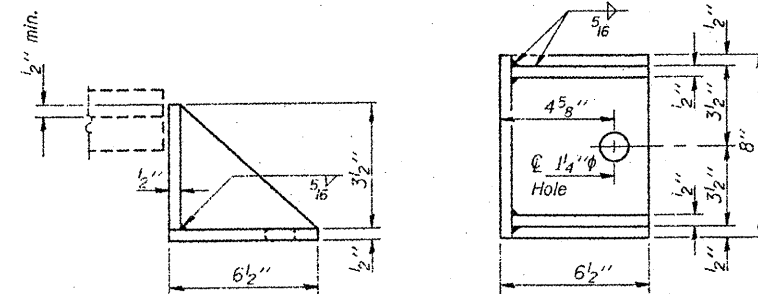
Note: Shim plates shall not be placed under Bearing Assembly.

Notes: Diaphragm removal and replacement may be required to facilitate drilling holes in bottom flange for bearing attachment. Cost is incidental to "Furnishing and Erecting Structural Steel".
New steel extensions, connection bolts and anchor bolts are included in "Furnishing and Erecting Structural Steel".
See sheet 7 for Anchor Bolt Installation.
Prior to ordering any material, the Contractor shall verify in the field all bearing height and shim thickness dimensions.



BILL OF MATERIAL

Item	Unit	Total
Elastomeric Bearing Assembly Type I	Each	6



Equivalent rolled angle with stiffeners will be allowed in lieu of welded plates.

DESIGNED	NJS	DECEMBER 8	19 94
CHECKED	KPS	EXAMINED	<i>John E. Adams</i> ENGINEER OF STRUCTURAL SERVICES
DRAWN	Dierbert	PASSED	
CHECKED	NJS KPS		ENGINEER OF BRIDGES AND STRUCTURES

BRIDGE NO. 1

NORTH ABUTMENT
TYPE I BEARING REPLACEMENT
F.A. RTE. 35 (IL 146) SEC. 11-B-1
HARDIN COUNTY
S.N. 035-0011