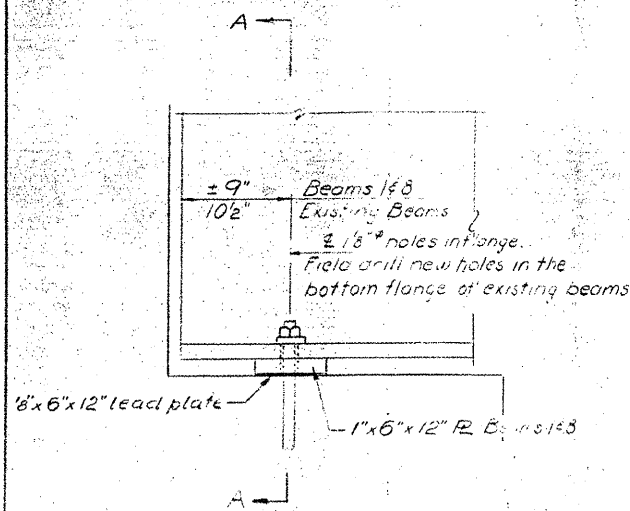
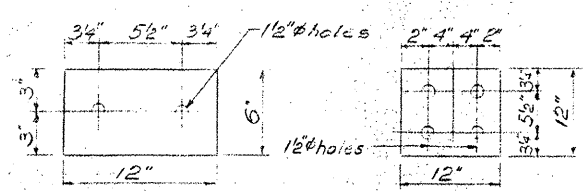


STATE OF ILLINOIS  
DEPARTMENT OF TRANSPORTATION

VARIOUS ROUTES  
D9 BRIDGE PAINTING FY 09-1  
VARIOUS COUNTIES  
CONTRACT 78093  
FOR INFORMATION ONLY  
SHEET 30 OF 31



SECTION A-A

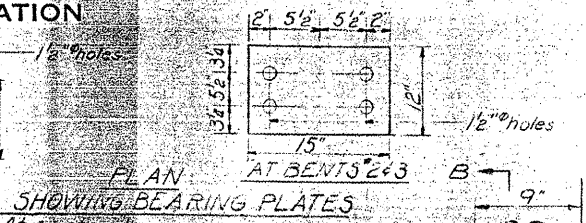


PLAN SHOWING BEARING PLATES

Lead plates 1/8" x 12" x 15" bms 2 thru 7  
1/8" x 12" x 12" bms 148

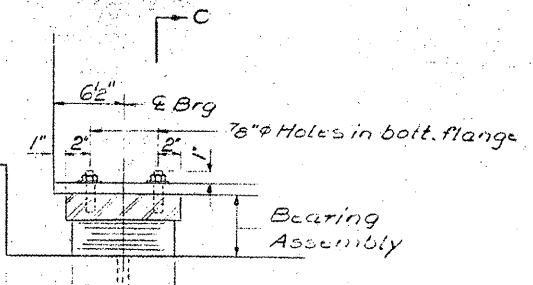
1" x 12" Anchor bolts with 3" x 3" x 5/16" plate washer under nut 1/2" holes in bearing plate & flange. Use beveled washers at existing beams.

BENTS # 2 & 3



PLAN AT BENTS 2 & 3

7/8" holes in bott. flange  
Bearing Assembly  
1/8" Lead R.  
5/2" 5/2"



BENT #4 (Looking North)

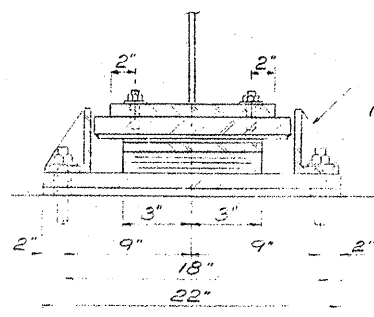
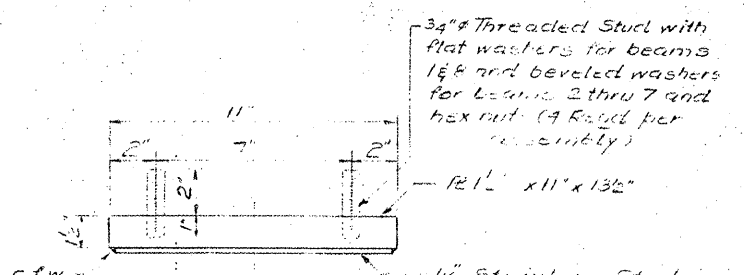
See schedule for location & size of new bearing plates under existing beams.

SCHEDULE OF BEARING PLATE REPLACEMENT UNDER EXIST. BEAMS

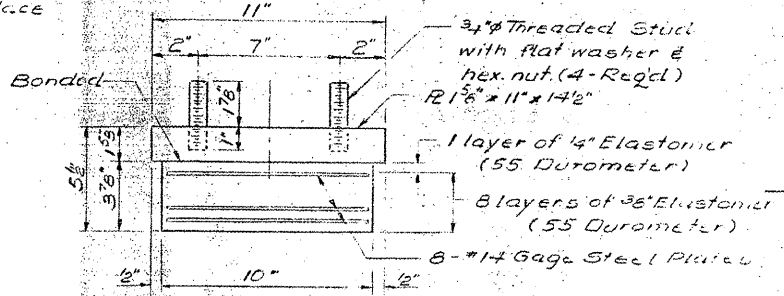
Location	Bm. 2	Bm. 3	Bm. 4	Bm. 5	Bm. 6	Bm. 7
Bent #1 (W. Abut.)			R 24 x 6 x 12			R 24 x 6 x 12
Bent #2				R 24 x 12 x 15		
Bent #3			R 24 x 12 x 15	R 24 x 12 x 15	R 24 x 12 x 15	
** Bent #4						

\*\* See special provisions for 'Jack and replace existing bearings'.

BENT #1

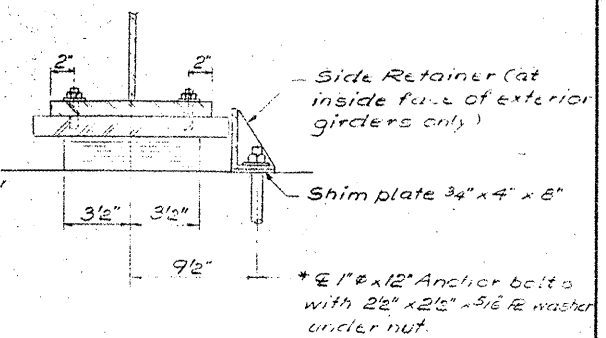


SECTION B-B



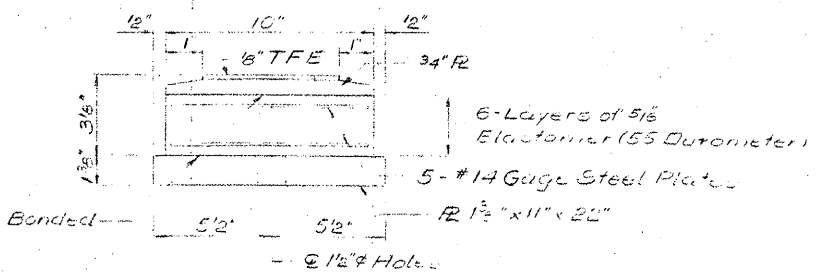
BEARING ASSEMBLY (7 - Required)

Notes: Shim plates shall not be placed under Type I Bearing Assembly



SECTION C-C

TOP BEARING ASSEMBLY



BOTTOM BEARING ASSEMBLY (8 - Required)

TYPE II TFE ELASTOMERIC EXP BRG. (WEST SIDE BENT #4)

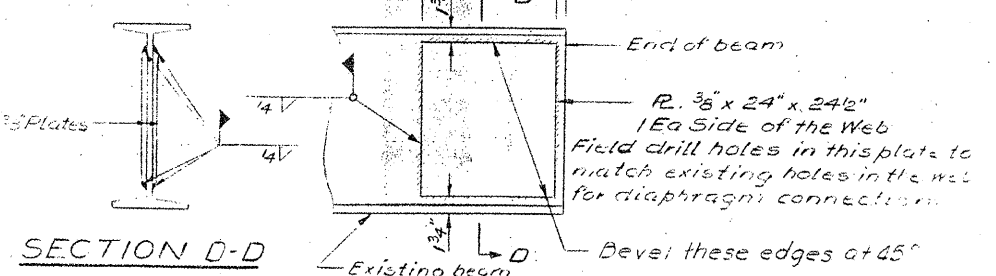
Notes: See sheet #12 for TFE Details

SCHEDULE OF WEB REPAIR

Location	Beams to be repaired
Bent #1 (W. Abut.)	Beams 2 and 7 spans 1 & 2
Bent #2	Beams 2 and 7 spans 1 & 2
Bent #3	No web repair anticipated
Bent #4	Beams 2, 3, 4, 5, 6 & 7 spans 1 & 2

See special provisions for web repair.

TYPE I ELASTOMERIC EXP BRG. (East Side Bent #4)



WEB REPAIRS OF EXISTING BEAMS (See special provisions)

BEARINGS

F.A. RTE. 857-SECTION 101 BR-2

WHITE COUNTY

STA. 268 + 25.75

BRIDGE NO. 4

DESIGNED	Jan. 13 1981
CHECKED	
DRAWN	
CHECKED	

EXAMINED	ENGINEER IN CHARGE
PASSED	
APPROVED	ENGINEER OF DESIGN
	DIRECTOR OF HIGHWAYS