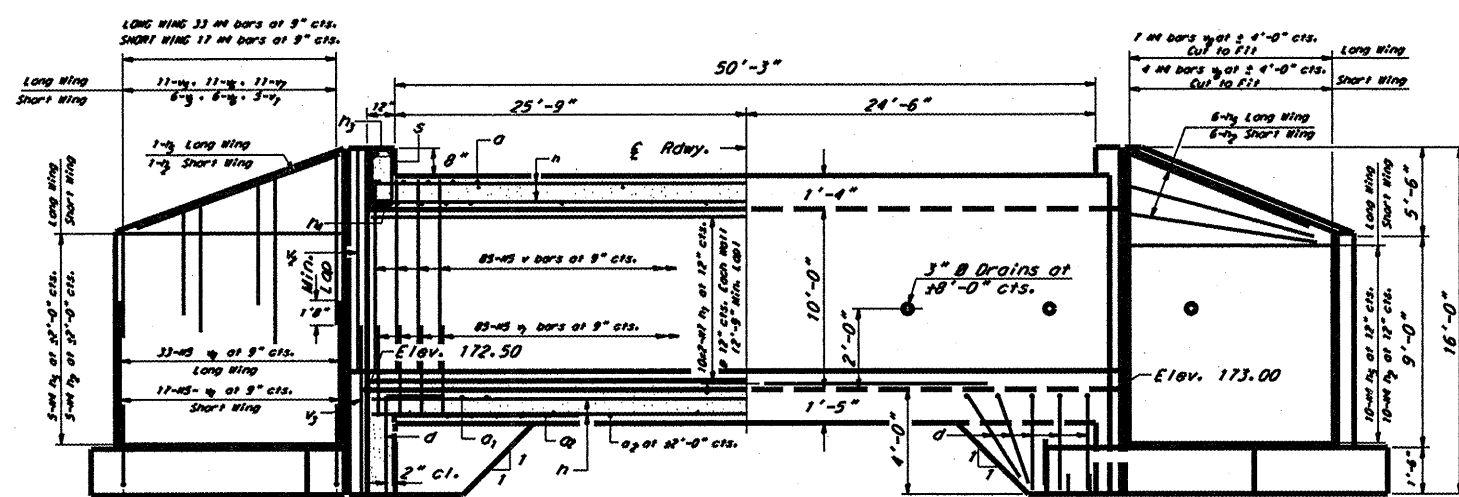
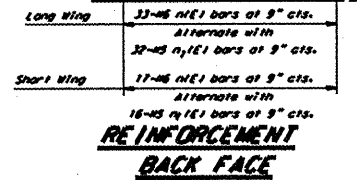


FAS RTE	SECTION	COUNTY	TOTAL SHEETS	SHEET NO.
232	06-00143-00-BR	HENRY	7	6
F.A.S. REG.		ILLINOIS PROJECT		

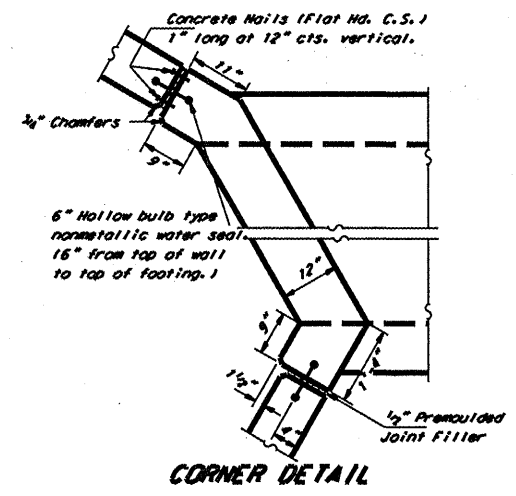
Contract 85440



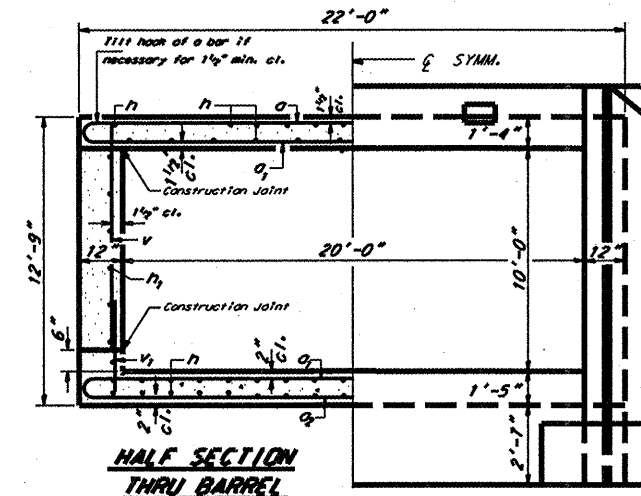
HALF LONG SECTION HALF ELEVATION
Showing Reinforcement Showing Dimensions
Dimensions are at Right Angles to C Roadway
REINFORCEMENT FRONT FACE



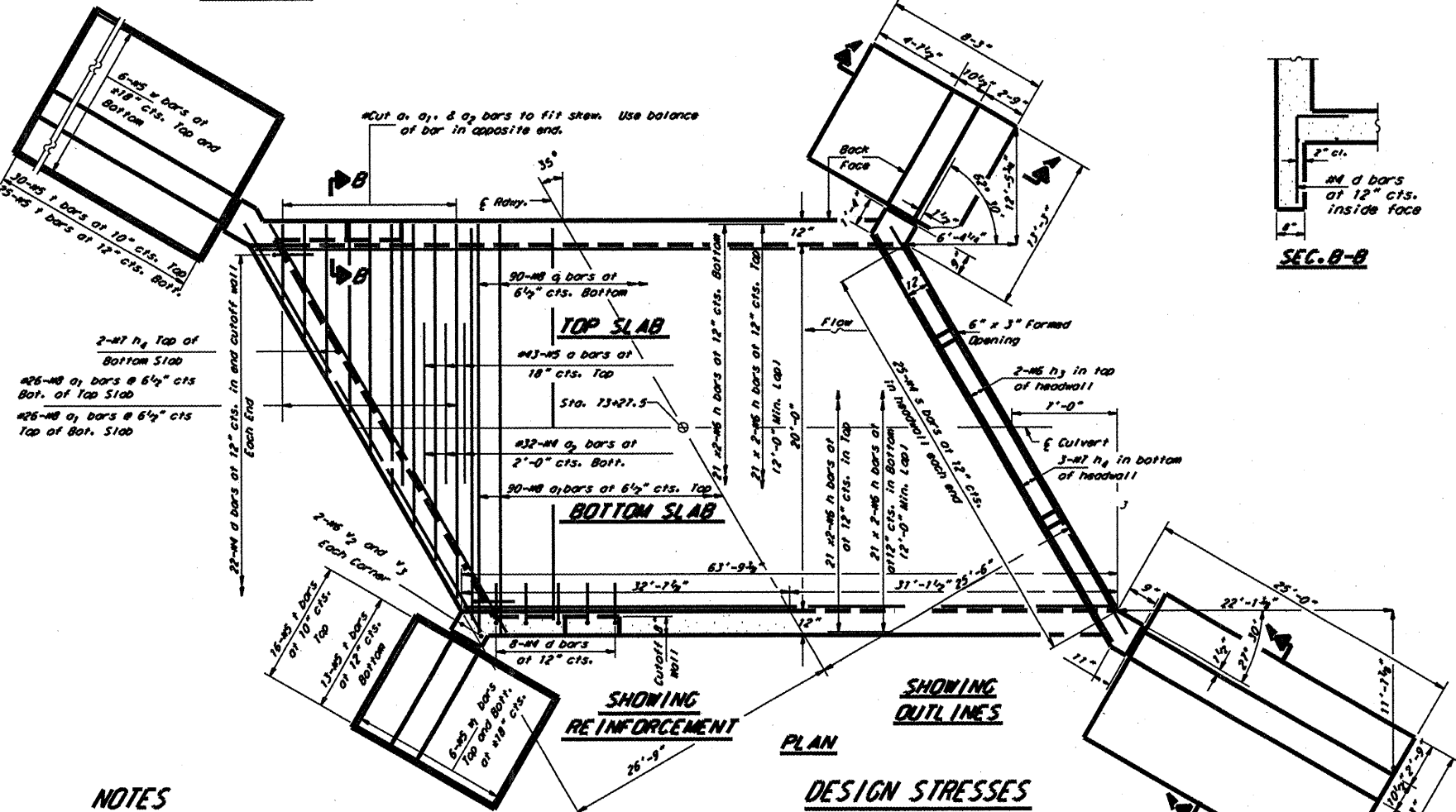
REINFORCEMENT BACK FACE



CORNER DETAIL



HALF SECTION THRU BARREL
HALF END ELEVATION



SHOWING REINFORCEMENT PLAN

SHOWING OUTLINES

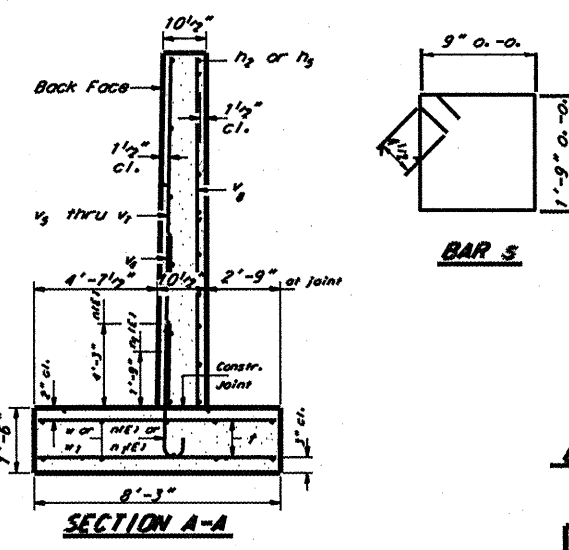
DESIGN STRESSES

$f_y = 60,000$ psi
 $f'_c = 3,500$ psi
Max. Soil Pressure = 2987 PSF

NOTES

Reinforcement bars designated (E) shall be epoxy coated.
Reinforcement bars shall conform to the requirements of AASHTO M-31, M-42 or M-53, Grade 60.
Bars indicated thus 12 x 4 - #5 etc. indicates 12 lines of bars with 4 lengths per line
All construction joints shall be banded.

LOADING HS 20-44 & ALT.



SECTION A-A

SEC. B-B

BAR S

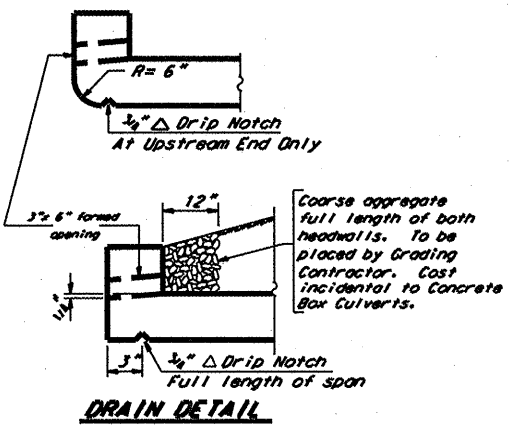
BAR O1

BAR d

BAR S (E) and O1 (E)

BILL OF MATERIAL

Bar No.	Size	Length	Shape	Bar No.	Size	Length	Shape	
O	#3	20'-6"	□	S	#5	5'-9"	□	
O1	#3	23'-6"	□					
O2	#3	20'-6"	□	T	#5	7'-11"	□	
d	#4	5'-6"	□	V	#5	10'-6"	□	
n	#6	32'-9"	□	V1	#5	4'-0"	□	
n1	#7	33'-2"	□	V2	#5	11'-2"	□	
n2	#4	12'-2"	□	V3	#5	6'-3"	□	
n3	#5	26'-4"	□	V4	#4	10'-3"	□	
n4	#7	26'-4"	□	V5	#4	8'-6"	□	
n5	#4	23'-11"	□	V6	#4	6'-9"	□	
n(E)	#5	6'-1"	□	V7	#4	14'-2"	□	
n1(E)	#5	3'-6"	□	W	#5	24'-0"	□	
				W1	#5	12'-3"	□	
Concrete Box Culverts							Qty. Yds.	259.8
Reinforcement Bars, Epoxy Coated							Pound	1260
Reinforcement Bars							Pound	35,860



DRAIN DETAIL