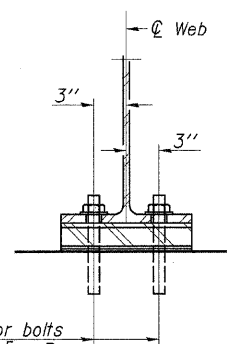


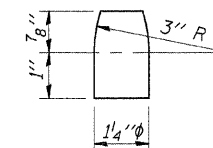
ELEVATION AT ABUTMENTS



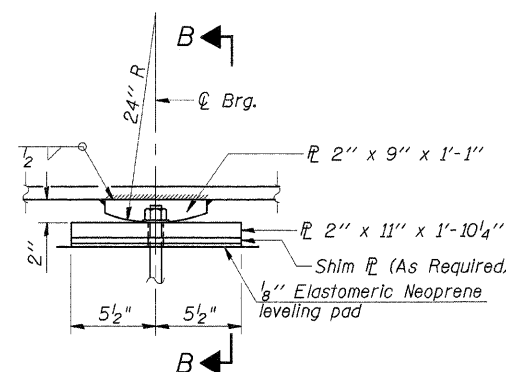
SECTION A-A

ABUTMENT BEARING

(10 Required)
Weight included with Structural Steel.



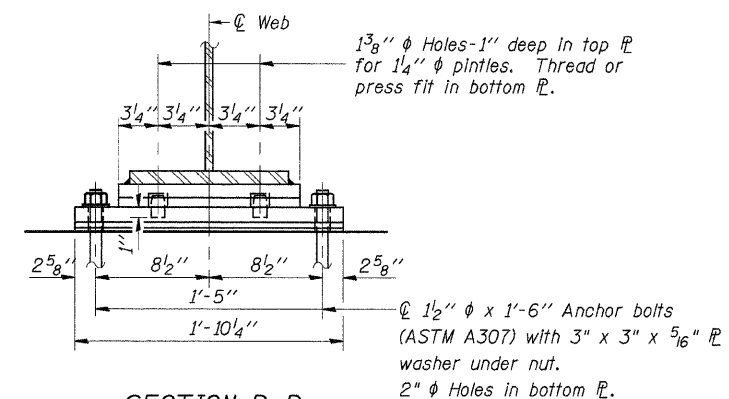
PINTLE



ELEVATION AT PIERS 1 & 2

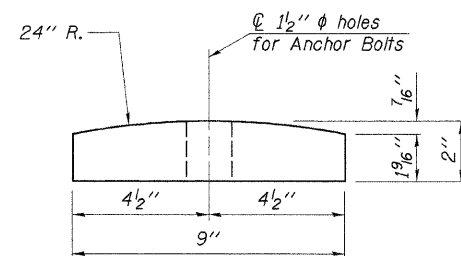
FIXED BEARING

(10 Required)
Weight included with Structural Steel.



SECTION B-B

Notes: Anchor bolts at fixed bearings may be built into the masonry.
See sheet 12 of 17 for Anchor Bolt installation.



BEARING PLATE DETAIL

DESIGNED	A.R.K.
CHECKED	F.J.S. & S.F.M.
DRAWN	S.A.P.
CHECKED	A.R.K. & F.J.S.

I-2-E2 9-1-03

Work this Sheet with Sheets 9 & 10 of 17.

BEARING DETAILS

SECTION 03-00147-01-BR
COUNTY HIGHWAY 7
STARK COUNTY
STATION 155+75

4440 ASH GROVE
SPRINGFIELD, IL 62711
(217) 793-8600
oasinc@insightbb.com

FEHR-GRAHAM & ASSOCIATES, LLC
ENGINEERING AND SCIENCE CONSULTANTS
PREPARED BY: SCARFORD, E. BOCHILLE, E. MORANDE, W. SPRINGFIELD, I.

JOB NO.: 46808
FILE: 46808BRG.DGN
DATE: 10/04/07