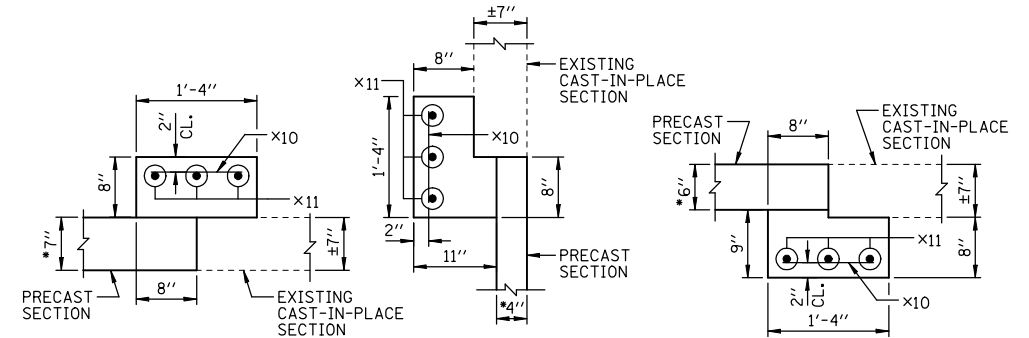
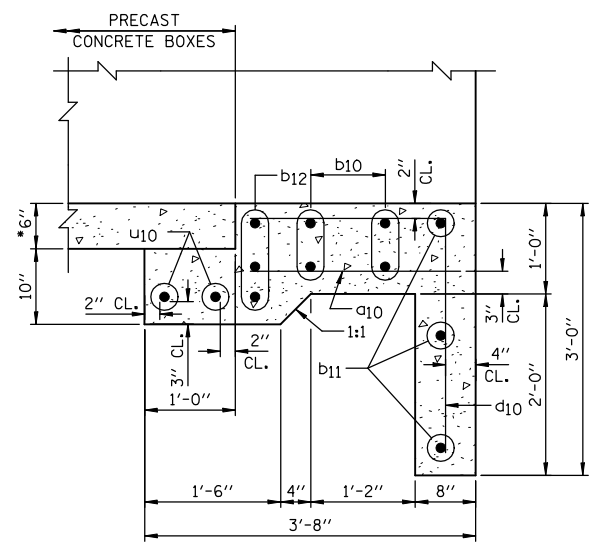
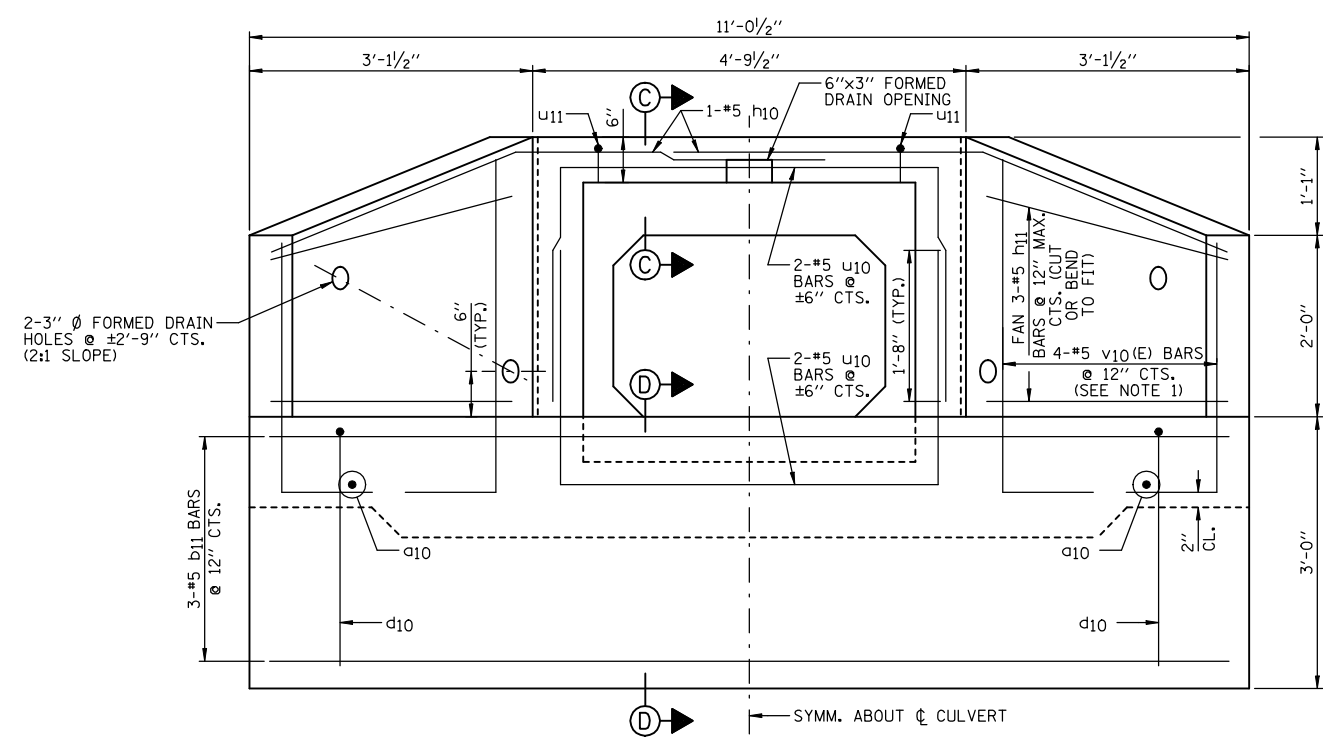
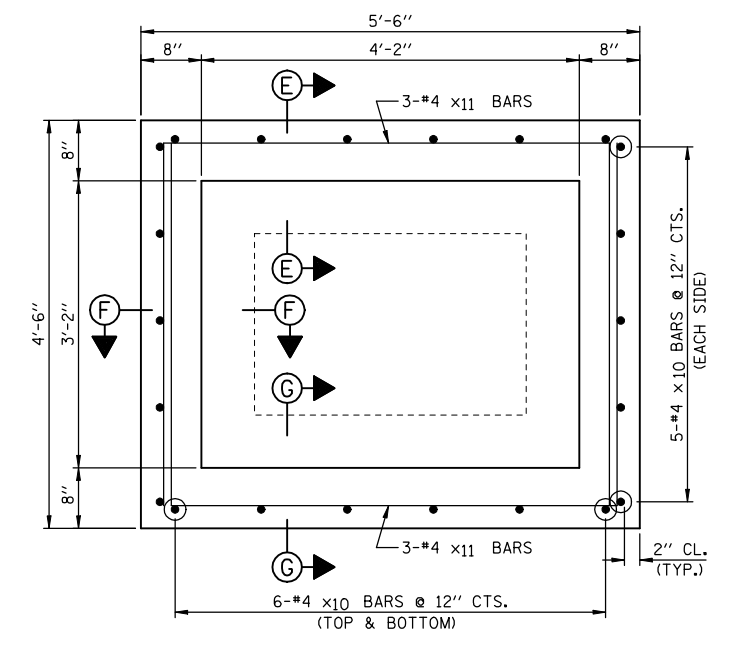
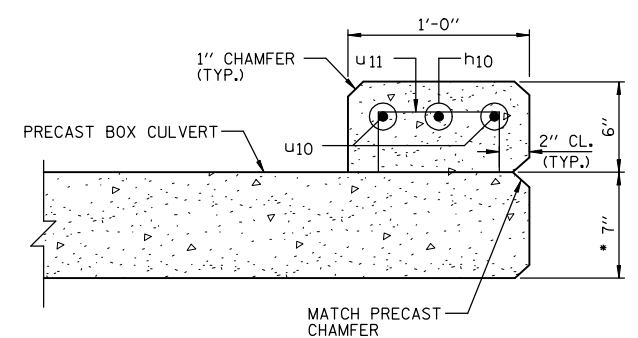
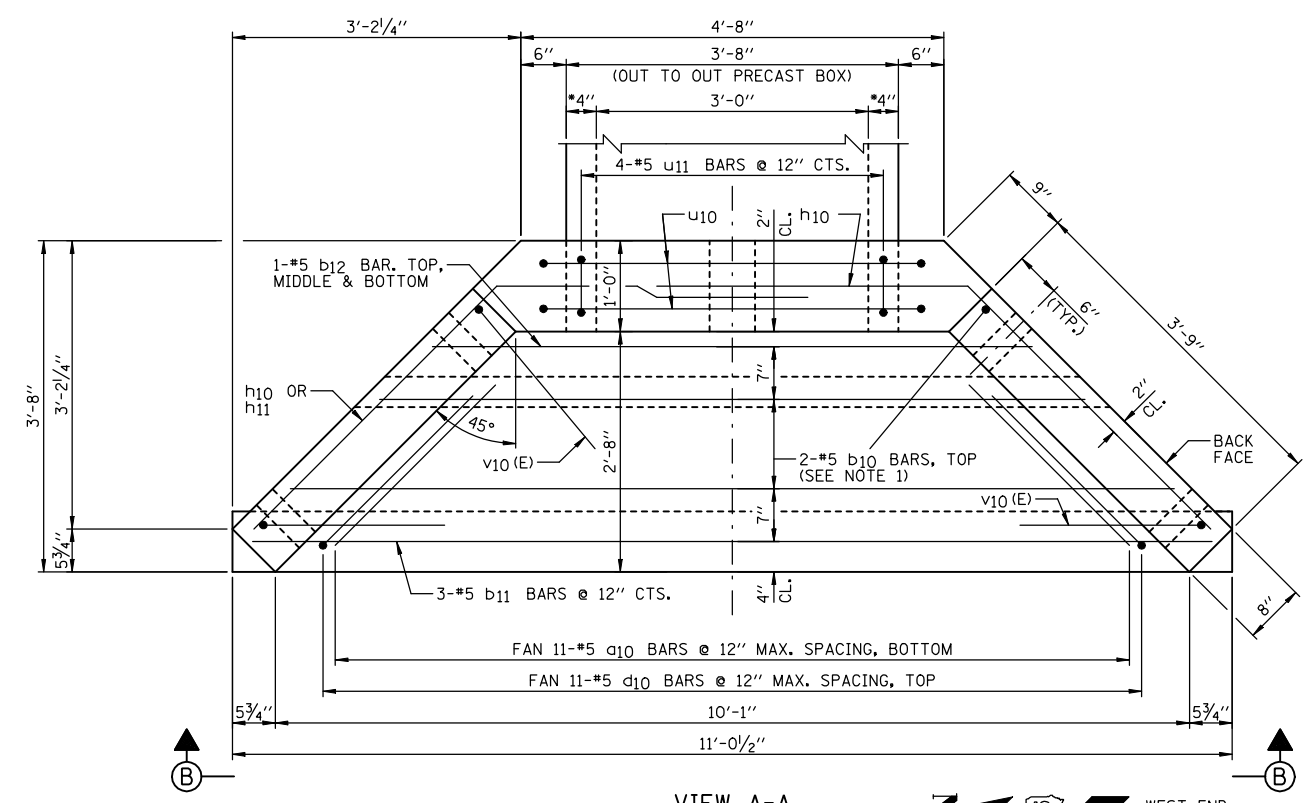


F.A.P. RTE.	SECTION	COUNTY	TOTAL SHEETS	SHEET NO.
B16	GRS-1 & (6BR)BR	DOUGLAS	176	90
STA.		TO STA.		
FED. ROAD DIST. NO.	ILLINOIS	FED. AID PROJECT		
CONTRACT NO. 90711		SHEET NO. G2		

OF 2 SHEETS



- NOTES:**
- ORDER b10 & v10(E) BARS FULL LENGTH. CUT ACCORDING TO BAR CUTTING DIAGRAM ON SHEET G1. USE REMAINDER OF b10 BARS IN BOTTOM OF SLAB & REMAINDER OF v10(E) BARS IN OPPOSITE WINGWALL.
 - MINIMUM BAR LAP: #5 = 1'-8"
 - WORK THIS SHEET WITH SHEET G1.
 - FOR LOCATION OF VIEW A-A SEE SHEET G1.
 - FOR LOCATION OF CONCRETE COLLARS SEE SHEET G1.

REVISIONS	
NAME	DATE

ILLINOIS DEPARTMENT OF TRANSPORTATION
CULVERT #7 EXTENSION
 (STA. 300+96.63)
 FAP ROUTE 816
 ATWOOD-ARTHUR RD
 SECTION 6RS-1 & (6BR)BR
 DOUGLAS COUNTY

DATE: 11/24/03
 DRAWN BY: DJM
 CHECKED BY: MSW