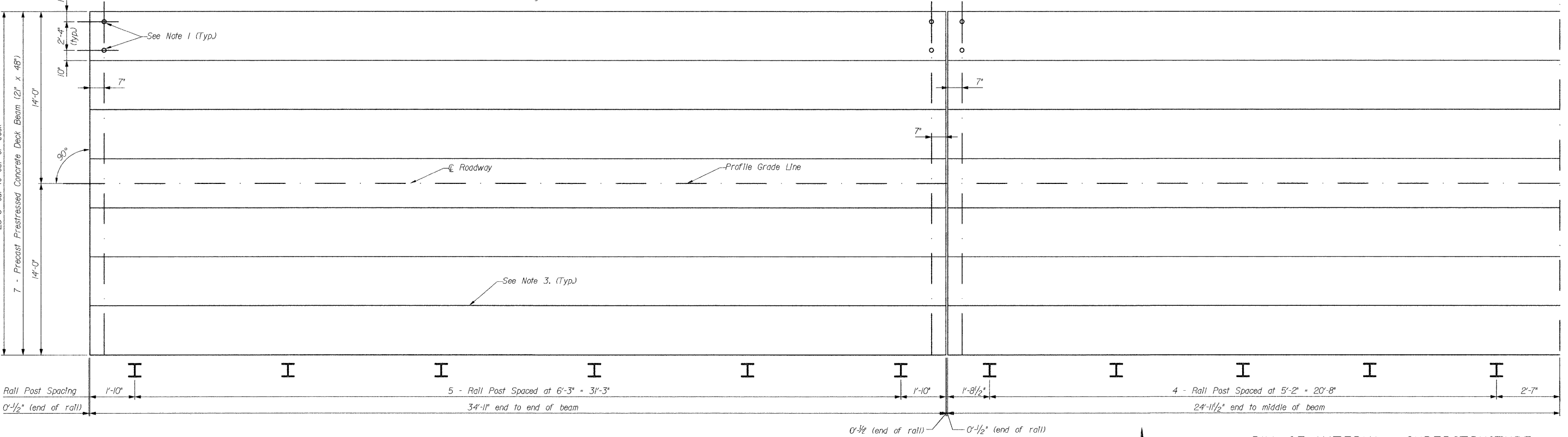
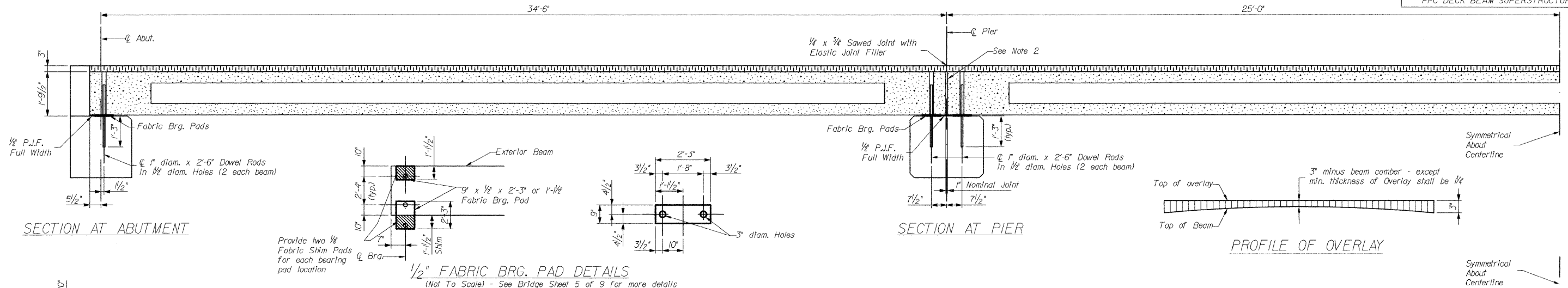
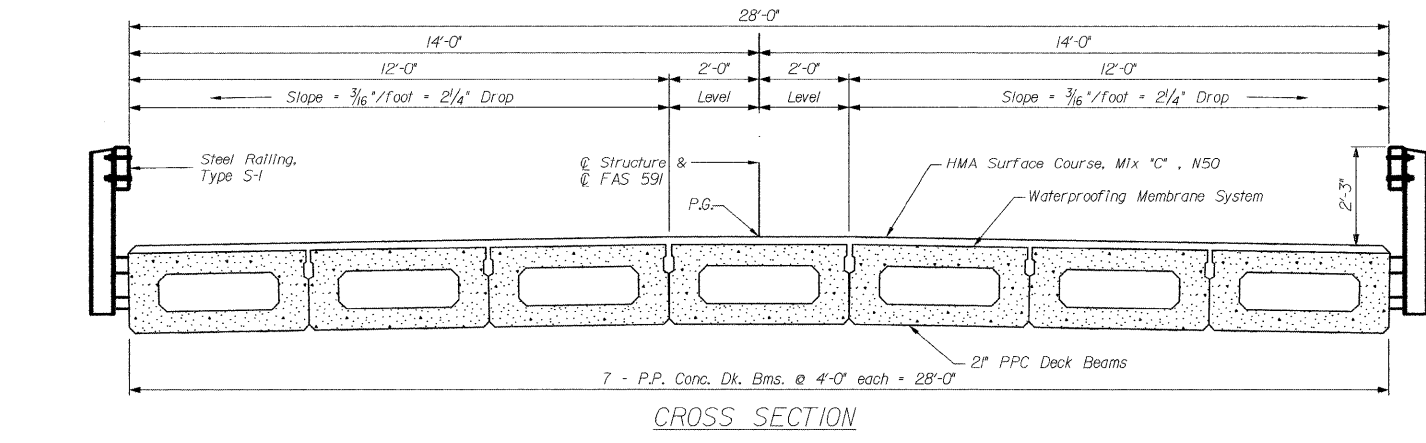


COUNTY	ROUTE	SECTION	SHEET
ADAMS	FAS 591	07-00202-00-BR	11
PROJECT NO. BRS-059(105)			
PPC DECK BEAM SUPERSTRUCTURE			



BILL OF MATERIAL - SUPERSTRUCTURE

Hot-Mix Asphalt Surface Course, Mix "C", N50	Ton	561
Precast Prestressed Concrete Deck Beam (21" Depth)	Sq. Ft.	3353
Steel Railing, Type S1	Foot	240
Waterproofing Membrane System	Sq. Yd.	373



NOTES

- After beams have been erected, holes shall be drilled into substructure and anchor dowels placed. Dowel holes shall be filled with non-shrink grout to top of beam and allowed to cure min. 24 hours prior to grouting the shear keys.
- Nominal 1" joint at @ Pier shall be filled with non-shrink grout.
- Longitudinal keys shall be grouted.

REVISIONS	
NAME	DATE

PPC DECK BEAM SUPERSTRUCTURE
 FAS 591 OVER
 TOURNEAR CREEK
 SEC 07-00202-00-BR
 ADAMS COUNTY
 STA 3+00
 STRUCTURE NUMBER 001-3337
 SCALE: VERT. N/A
 HORIZ. N/A
 DATE: APR 2008
 DRAWN BY JLS
 CHECKED BY CSB

PSBA Project No: R-08-011