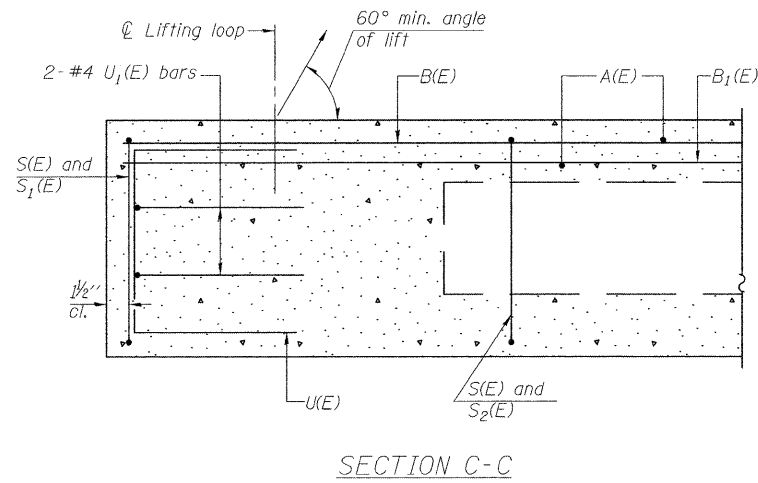
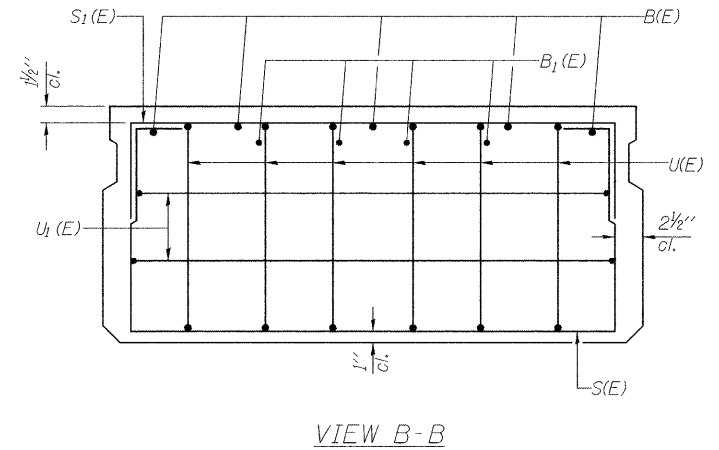
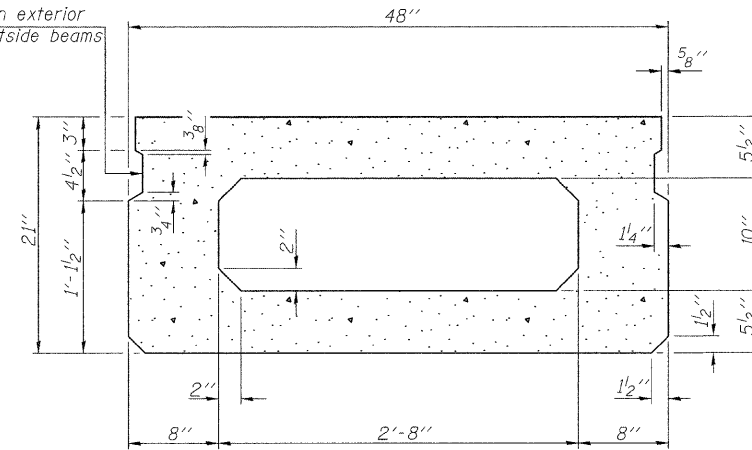


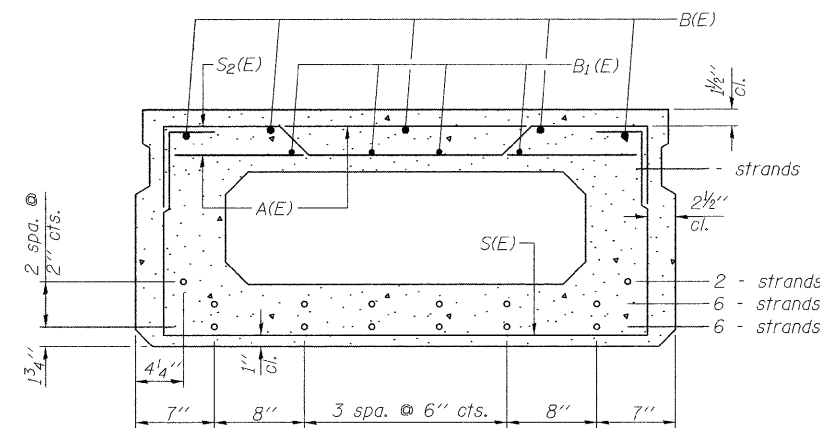
COUNTY	ROUTE	SECTION	SHEET
ADAMS	FAS 591	07-00202-00-BR	12
PROJECT NO. BRS-059(105)			
21x48 PPC DECK BEAM - 35ft SPAN			



Omit key on exterior face of outside beams



SECTION A-A  
(Showing dimensions)

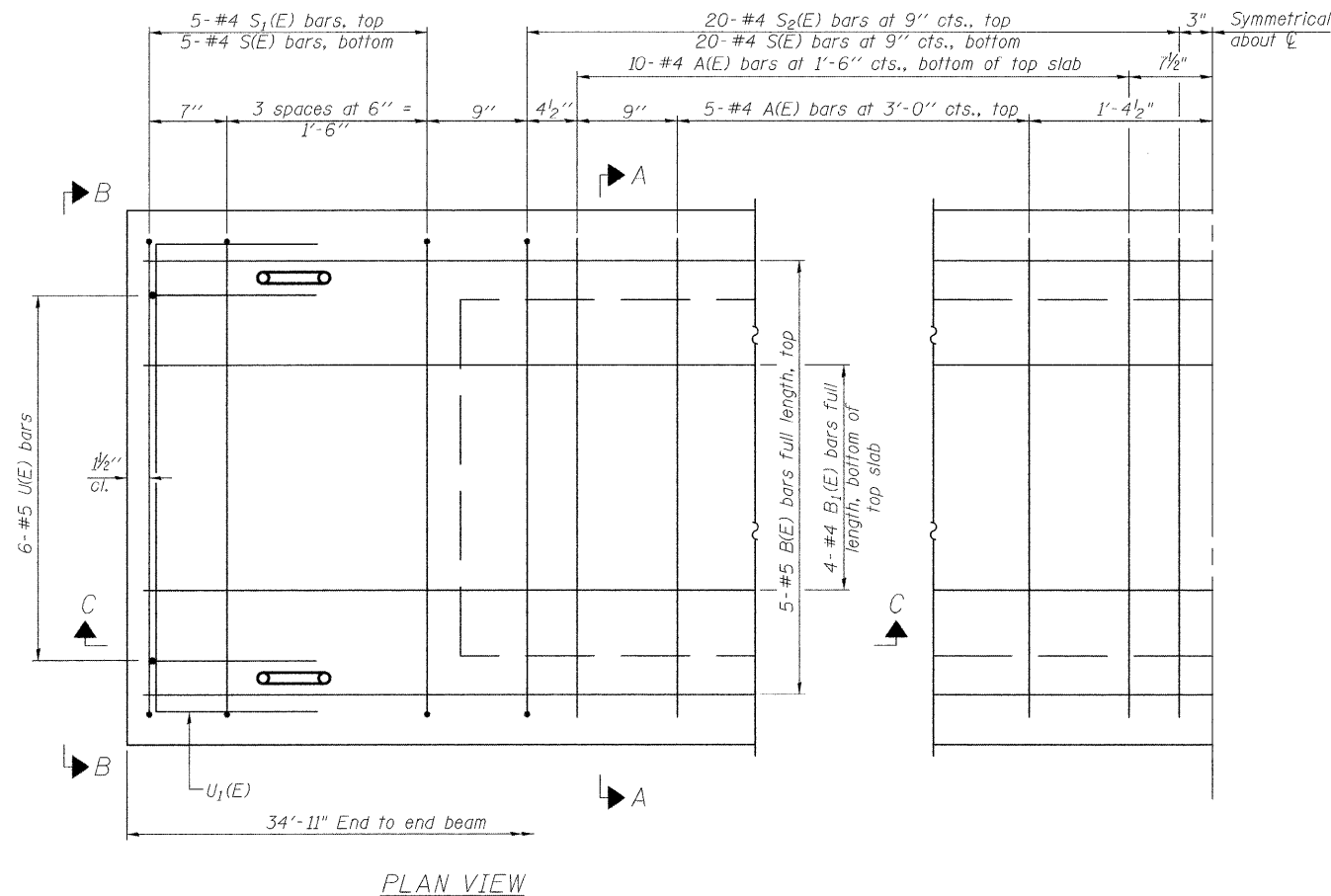


SECTION A-A  
(Showing reinforcement and permissible strand locations)  
Note: Place the number of strands specified in each row symmetrically about the centerline of beam in the permissible strand locations shown.

BAR LIST  
ONE BEAM ONLY  
(For Information Only)

Bar	No.	Size	Length	Shape
A(E)	30	#4	3'-7"	—
B(E)	5	#5	34'-6"	—
B1(E)	4	#4	34'-6"	—
S(E)	50	#4	7'-5"	□
S1(E)	10	#4	6'-7"	□
S2(E)	40	#4	6'-10"	□
U(E)	12	#5	4'-0"	□
U1(E)	4	#4	6'-0"	□

Note: See Bridge Sheet 5 of 9 for additional details and Bill of Material.



PLAN VIEW

Note: Spacing of S(E) and S2(E) bars may be adjusted up to 4" in the immediate area of the transverse tie diaphragms to miss the block outs for the transverse ties.

REVISIONS	
NAME	DATE

21x48 PPC DECK BEAM - 35ft SPAN

FAS 591 OVER  
TOURNEAR CREEK  
SEC 07-00202-00-BR  
ADAMS COUNTY  
STA 3+00

STRUCTURE NUMBER 001-3337  
SCALE: VERT. N/A  
          HORIZ. N/A  
DATE: APR 2008  
DRAWN BY JLS  
CHECKED BY CSB