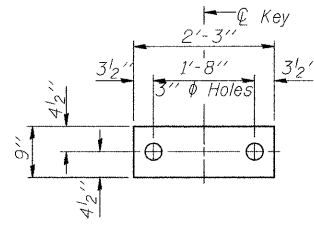
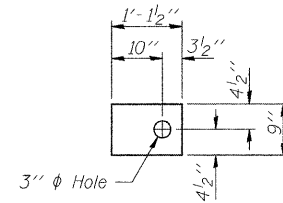


COUNTY	ROUTE	SECTION	SHEET
ADAMS	FAS 591	07-00202-00-BR	14
PROJECT NO. BRS-0591(105)			
21" x 48" PPC DECK BEAM DETAILS			

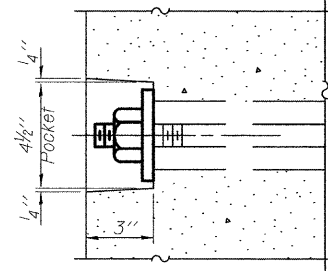


FABRIC BEARING PAD (Interior)

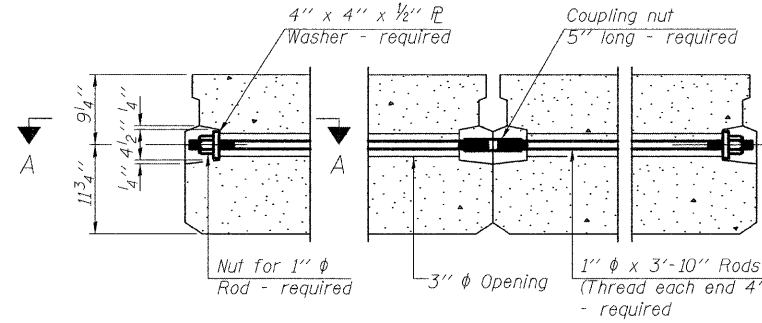


FABRIC BEARING PAD (Exterior)

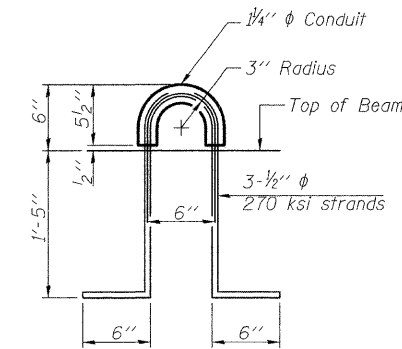
FIXED
Note: Omit holes when using expansion bearings.



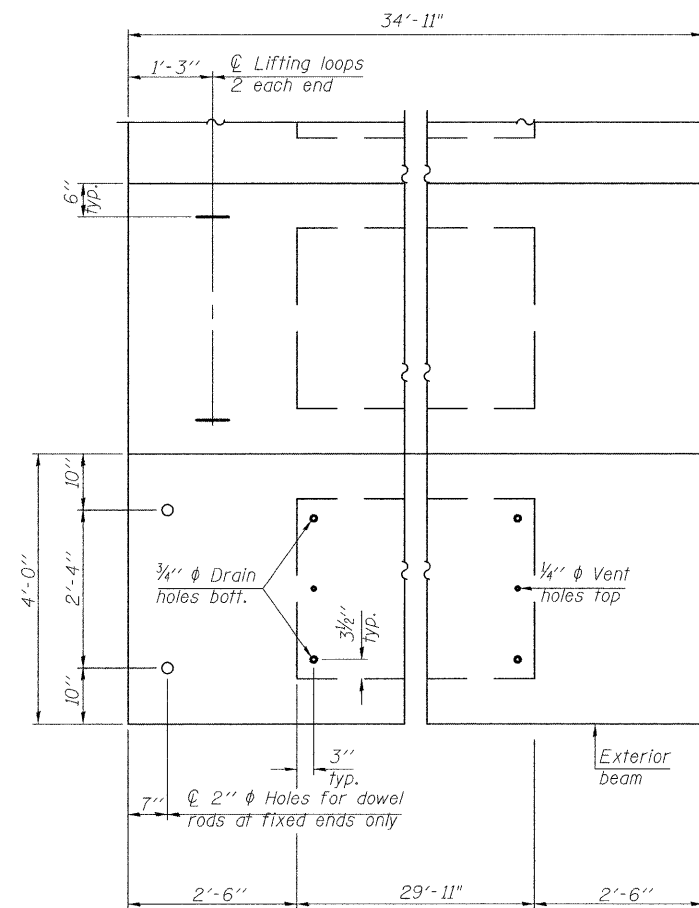
SECTION A-A



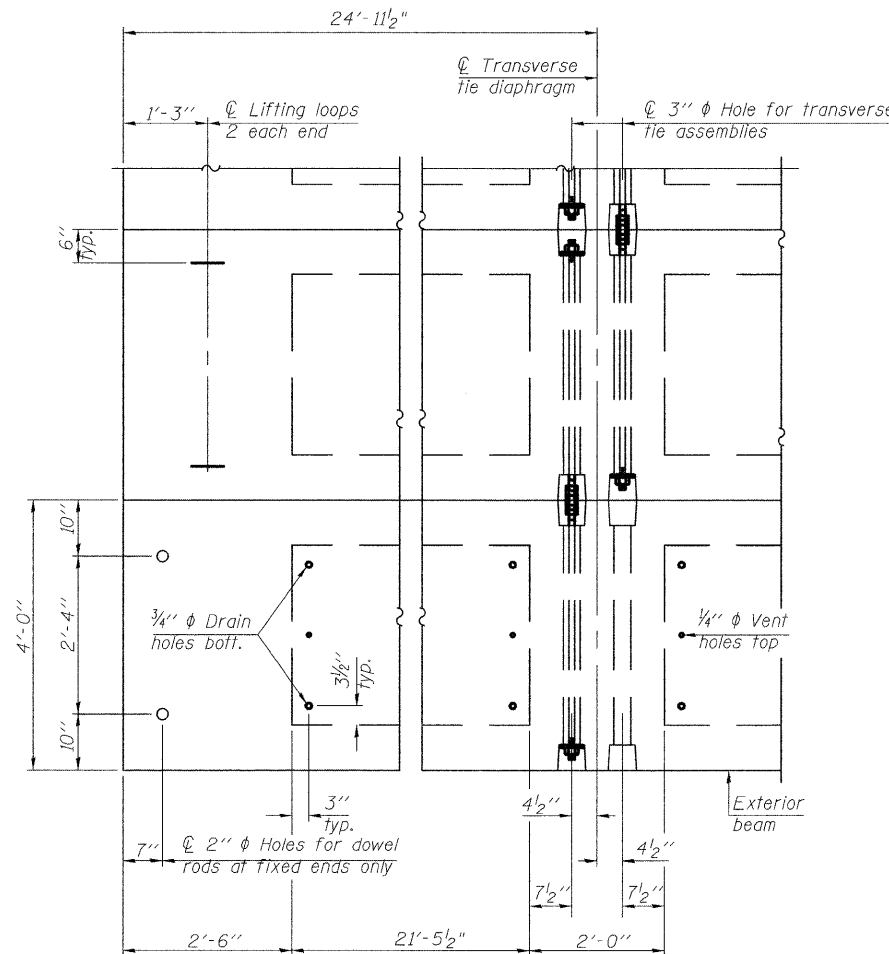
TYPICAL TRANSVERSE TIE ASSEMBLY



LIFTING LOOP DETAIL

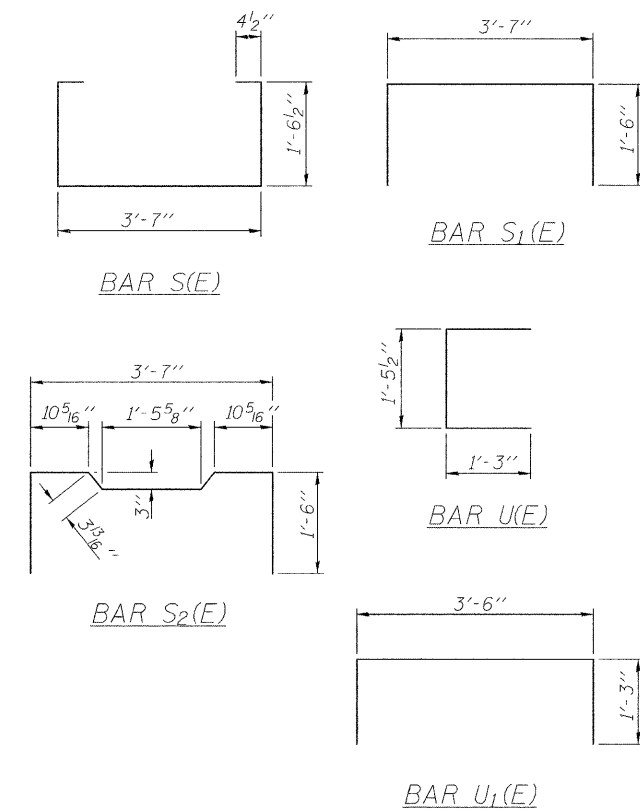


PLAN VIEW - 35 FOOT BEAM SPAN



PLAN VIEW - 50 FOOT BEAM SPAN

Note: Connect beams in pairs with the transverse tie configuration shown.



NOTES

- Prestressing steel shall be uncoated high strength, low relaxation 7-wire strand, Grade 270. The nominal diameter shall be 1/2" and the nominal cross-sectional area shall be 0.153 sq. in.
- The 1" rods in the transverse tie assembly shall be tightened to a snug fit and the threads set.
- Pockets on exterior faces of bridge shall be filled with grout after transverse tie assembly is in place.
- Reinforcement bars shall conform to ASTM A 706, Grade 60. (See Special Provisions)
- Two 1/8" fabric adjusting shims of the dimensions of the exterior bearing pad shall be provided for each bearing pad location.
- A minimum 2 1/2" phi lifting pin shall be used to engage the lifting loops during handling.
- Corrosion Inhibitor, per Article 1020.05(b)(12) and 1021.06 of the Standard Specifications, shall be used in the concrete for precast prestressed concrete deck beams.
- Compressive strength of prestressed concrete, f'c, shall be 6000 psi.
- Compressive strength of prestressed concrete at release, f'ci, shall be 5000 psi.
- The top surface of the beams shall be finished according to the IDOT Manual for Fabrication of Precast Prestressed Concrete Products.
- Rail post anchor devices (specified elsewhere) shall be cast in exterior face of outside beams.

BILL OF MATERIAL

Precast Prestressed Conc. Deck Bms. (21" depth)	Sq. Ft.	3353
---	---------	------

REVISIONS	
NAME	DATE

21" x 48" PPC DECK BEAM DETAILS

FAS 591 OVER
TOURNEAR CREEK
SEC 07-00202-00-BR
ADAMS COUNTY
STA 3+00
STRUCTURE NUMBER 001-3337
SCALE: VERT. N/A
 HORIZ. N/A
DATE: APR 2008
DRAWN BY JLS
CHECKED BY CSB