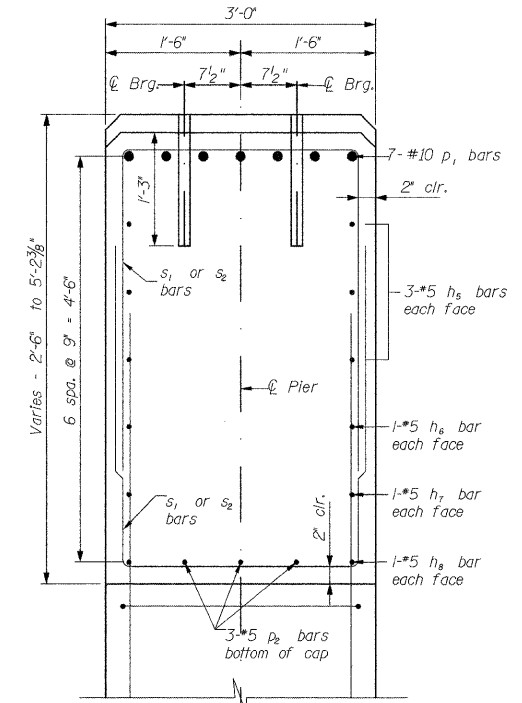
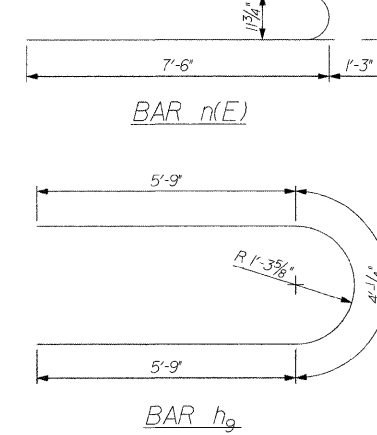
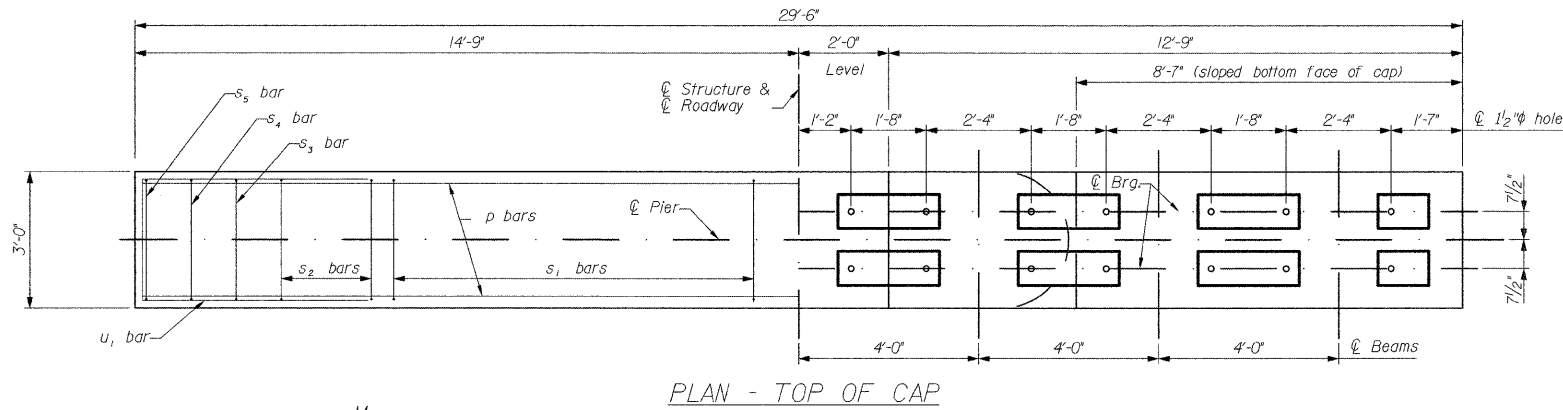
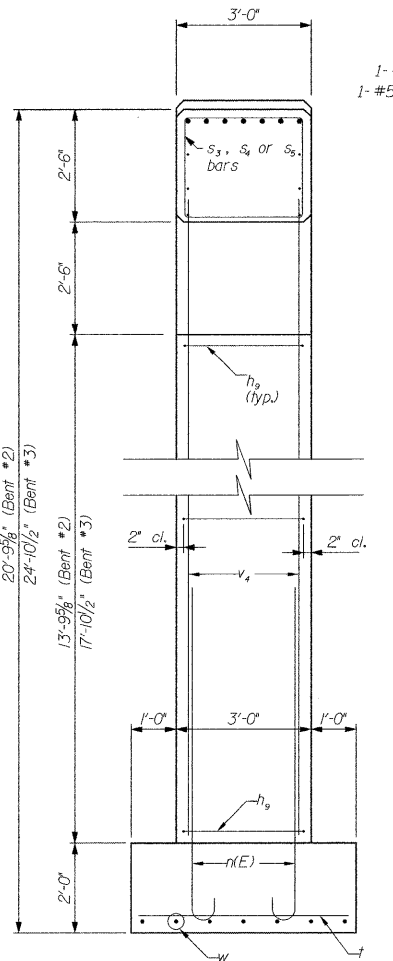


Bridge Sheet No. 7 of 9

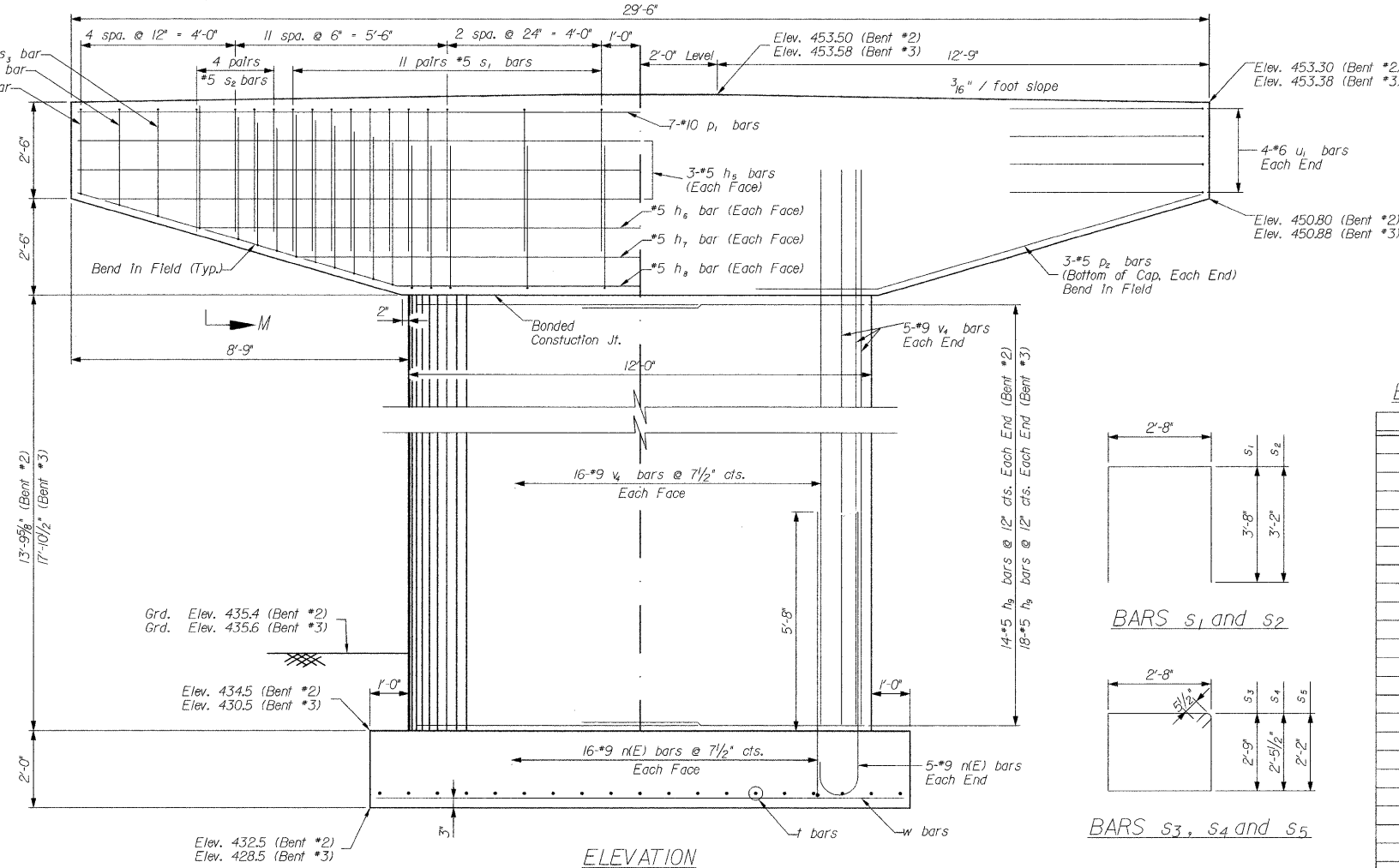
COUNTY	ROUTE	SECTION	SHEET
ADAMS	FAS 591	07-00202-00-BR	16
PROJECT NO. BRS-059(105)			
PIER DETAILS - BENTS #2 & #3			



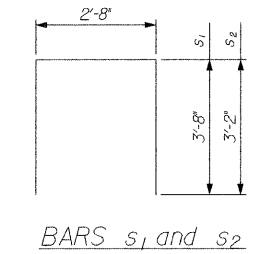
SECTION M-M



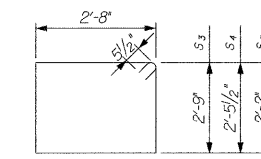
ELEVATION - END VIEW



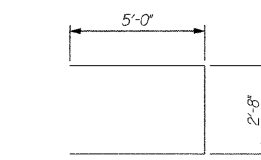
ELEVATION



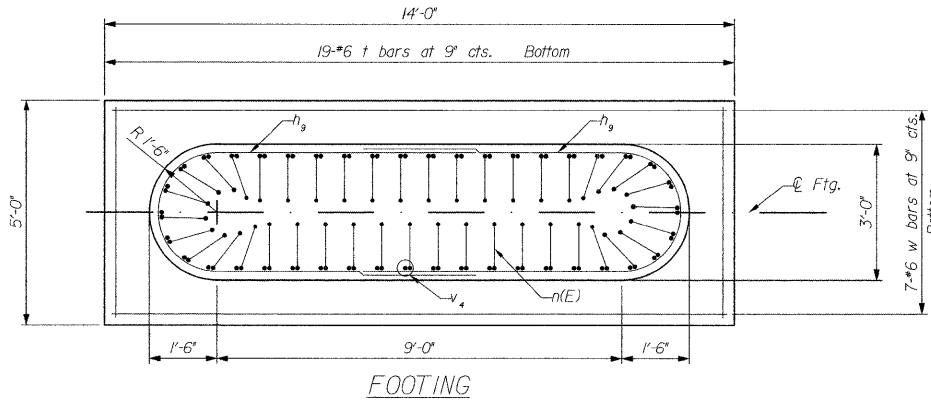
BARS s1 and s2



BARS s3, s4 and s5



BAR u1



FOOTING

BILL OF MATERIAL - BENT #2

Bar	No.	Size	Length	Shape
h5	6	*5	29'-2"	—
h6	2	*5	28'-0"	—
h7	2	*5	22'-10"	—
h8	2	*5	17'-8"	—
h9	28	*5	15'-7"	—
n(E)	42	*9	8'-9"	—
p1	7	*10	29'-2"	—
p2	6	*5	12'-0"	—
s1	44	*5	10'-0"	—
s2	16	*5	9'-0"	—
s3	2	*5	11'-9"	—
s4	2	*5	11'-2"	—
s5	2	*5	10'-7"	—
t	19	*6	4'-8"	—
u1	8	*6	12'-8"	—
v4	42	*9	16'-11"	—
w	7	*6	13'-8"	—

BILL OF MATERIAL - BENT #3

Bar	No.	Size	Length	Shape
h5	6	*5	29'-2"	—
h6	2	*5	28'-0"	—
h7	2	*5	22'-10"	—
h8	2	*5	17'-8"	—
h9	36	*5	15'-7"	—
n(E)	42	*9	8'-9"	—
p1	7	*10	29'-2"	—
p2	6	*5	12'-0"	—
s1	44	*5	10'-0"	—
s2	16	*5	9'-0"	—
s3	2	*5	11'-9"	—
s4	2	*5	11'-2"	—
s5	2	*5	10'-7"	—
t	19	*6	4'-8"	—
u1	8	*6	12'-8"	—
v4	42	*9	21'-0"	—
w	7	*6	13'-8"	—

Rock Excavation for Structures	Cu. Yd.	5.2
Concrete Structures	Cu. Yd.	37.0
Reinforcement Bars	Pound	5270
Reinforcement Bars, Epoxy Coated	Pound	1250

Rock Excavation for Structures	Cu. Yd.	5.2
Concrete Structures	Cu. Yd.	42.2
Reinforcement Bars	Pound	5980
Reinforcement Bars, Epoxy Coated	Pound	1250

REVISIONS	
NAME	DATE

PIER DETAILS - BENTS #2 & #3
 FAS 591 OVER
 TOURNAR CREEK
 SEC 07-00202-00-BR
 ADAMS COUNTY
 STA 3+00
 STRUCTURE NUMBER 001-3337
 SCALE: VERT. N/A
 HORIZ. N/A
 DATE: APR 2008
 DRAWN BY JLS
 CHECKED BY CSB

NOTES

1. Space reinforcement in cap to miss anchor bolts.
2. The bottom of footing elevations shall be adjusted to ensure a minimum embedment of 24 inches in non-weathered rock. The rock excavation shall be made with near-vertical sides at the plan dimensions to allow the sides and base of the embedded portion of the footing to be cast against undisturbed rock surfaces.

PSBA Project No. R-08-011