

STATE OF ILLINOIS  
DEPARTMENT OF TRANSPORTATION

ROUTE NO.	SECTION	COUNTY	TOTAL SHEETS	SHEET NO.	SHEET NO. 13 22 SHEETS
FAP 322	24BR-1	FAYETTE	57	33	
FED. ROAD DIST. NO. 7		ILLINOIS	FED. AID PROJECT-		

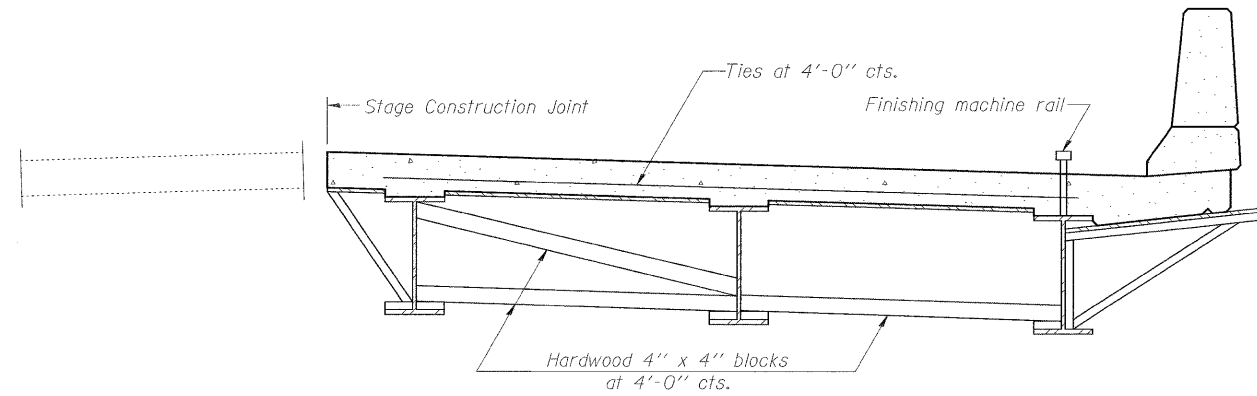
Contract # 94770

When cantilever forming brackets are used, the work shall be done according to Article 503.06(b) of the Standard Specifications, except as modified below and in the details shown on this sheet.

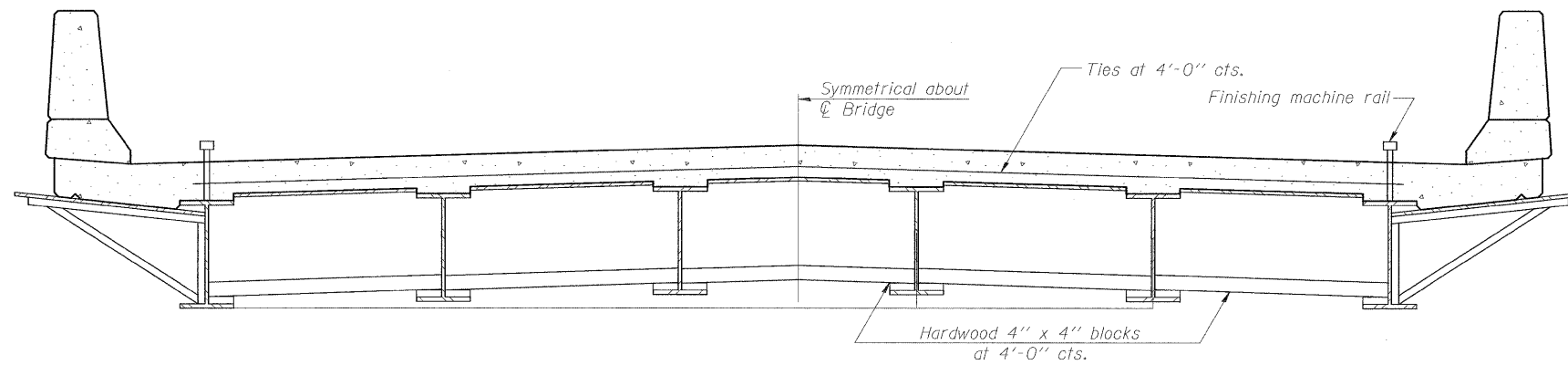
The finishing machine rails shall be placed on the top flange of the exterior beams.

The beams or girders, supporting cantilever forming brackets, shall be tied together at 4 foot intervals.

For Standard construction, or Stage Construction the Hardwood bracing materials shall be placed as shown between webs of beams in each bay.



FORM BRACES FOR  
STAGE CONSTRUCTION



FORM BRACES FOR  
STANDARD CONSTRUCTION

BENTON & ASSOCIATES, INC.

DESIGNED	MBH
CHECKED	NRF
DRAWN	MBH
CHECKED	NRF

SB-1

11-1-06

CANTILEVER FORMING BRACKETS  
US 51 / RICHLAND CREEK  
F.A.P. RT. 322  
FAYETTE COUNTY  
SN. 026-0104