

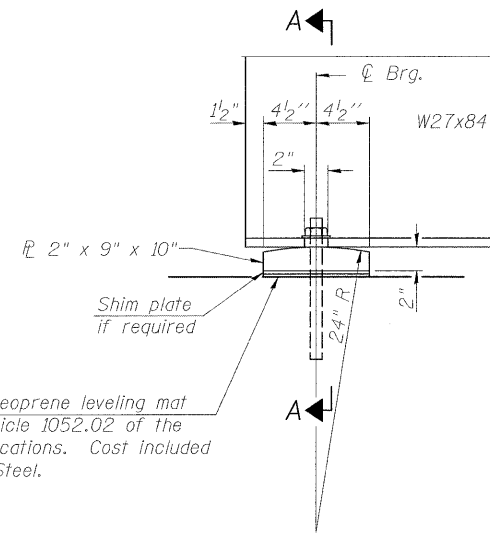
STATE OF ILLINOIS
DEPARTMENT OF TRANSPORTATION

ROUTE NO.	SECTION	COUNTY	TOTAL SHEETS	SHEET NO.
FAP 322	24BR-1	FAYETTE	57	35
FED. ROAD DIST. NO. 7	ILLINOIS	FED. AID PROJECT-		

SHEET NO. 15

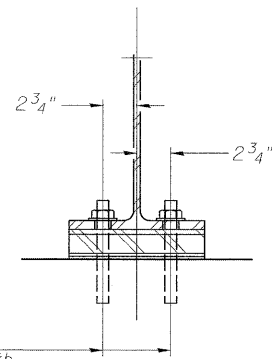
22 SHEETS

Contract # 94770



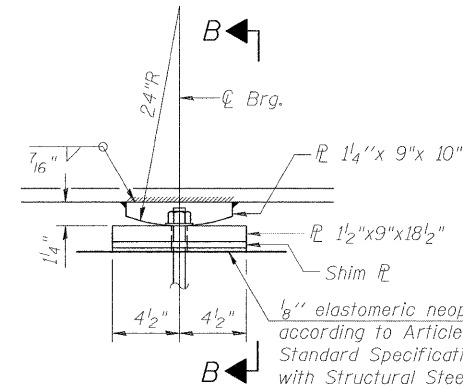
ELEVATION AT ABUTMENT

1/8" elastomeric neoprene leveling mat according to Article 1052.02 of the Standard Specifications. Cost included with Structural Steel.



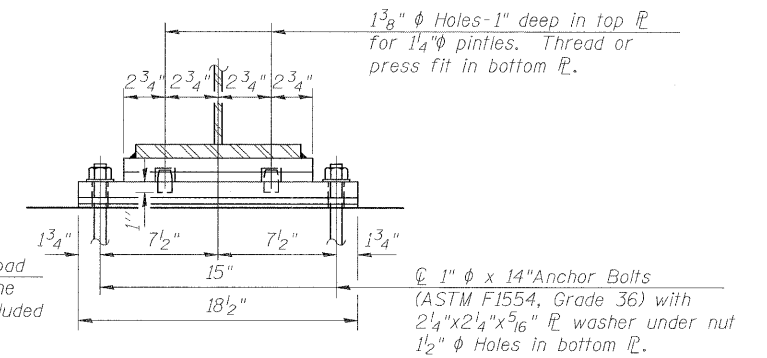
SECTION A-A

FIXED BEARING

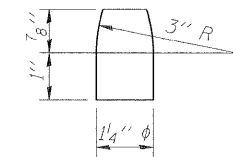


ELEVATION AT PIER

FIXED BEARING



SECTION B-B



PINTLE

Notes:

- Anchor bolts shall be ASTM F1554 all-thread (or an Engineer-approved alternate material) of the grade(s) and diameter(s) specified. ASTM A307 Grade C anchor bolts may be used in lieu of ASTM F1554 Grade 36 (Fy=36ksi). The corresponding specified grade of AASHTO M314 anchor bolts may be used in lieu of ASTM F1554.
- Anchor bolts at fixed bearings may be either cast in place or installed in holes drilled after the supported member is in place.
- Drilled and set anchor bolts shall be installed according to Article 521.06 of the Standard Specifications.
- Two 1/8 in. adjusting shims shall be provided for each bearing in addition to all other plates or shims and placed as shown on bearing details.
- The structural steel plates of the bearing assembly shall conform to the requirements of AASHTO M70, Grade 50.

BILL OF MATERIAL

Item	Unit	Total
Anchor Bolts, 1"	Each	48

BENTON & ASSOCIATES, INC.

DESIGNED	MBH
CHECKED	NRF
DRAWN	MBH
CHECKED	NRF

I-2-E1

11-1-06

BEARINGS
US 51 / RICHLAND CREEK
F.A.P. RT. 322
FAYETTE COUNTY
SN. 026-0104