

STATE OF ILLINOIS
DEPARTMENT OF TRANSPORTATION

ROUTE NO.	SECTION	COUNTY	TOTAL SHEETS	SHEET NO.
FAP 322	24BR-1	FAYETTE	57	37
FED. ROAD DIST. NO. 7	ILLINOIS	FED. AID PROJECT		

SHEET NO. 17
22 SHEETS

Contract # 94770

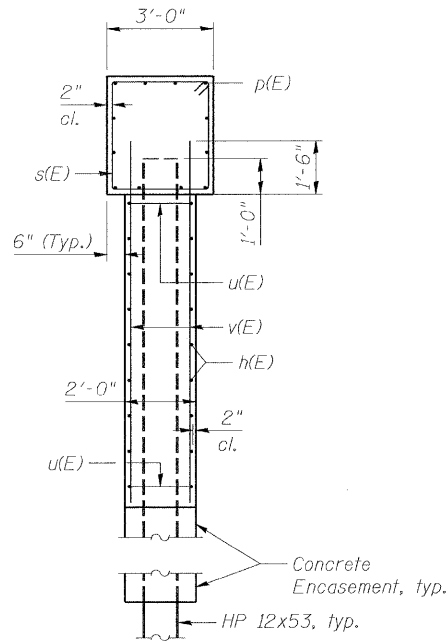
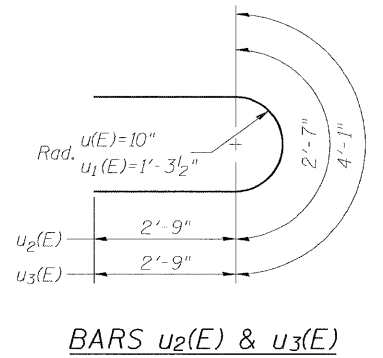
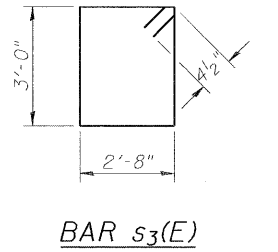
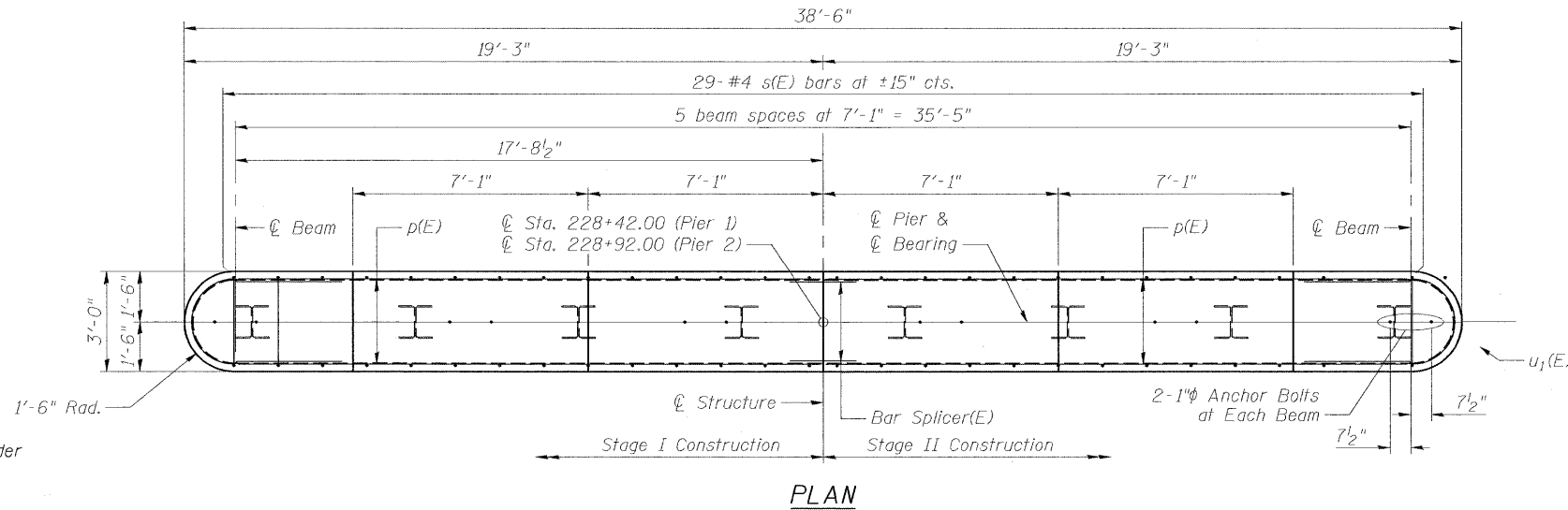
Notes:

1. Space reinforcement in cap to miss anchor bolts.
2. Pour steps monolithically with cap.
3. For details of piles, see sheet 18 of 22.

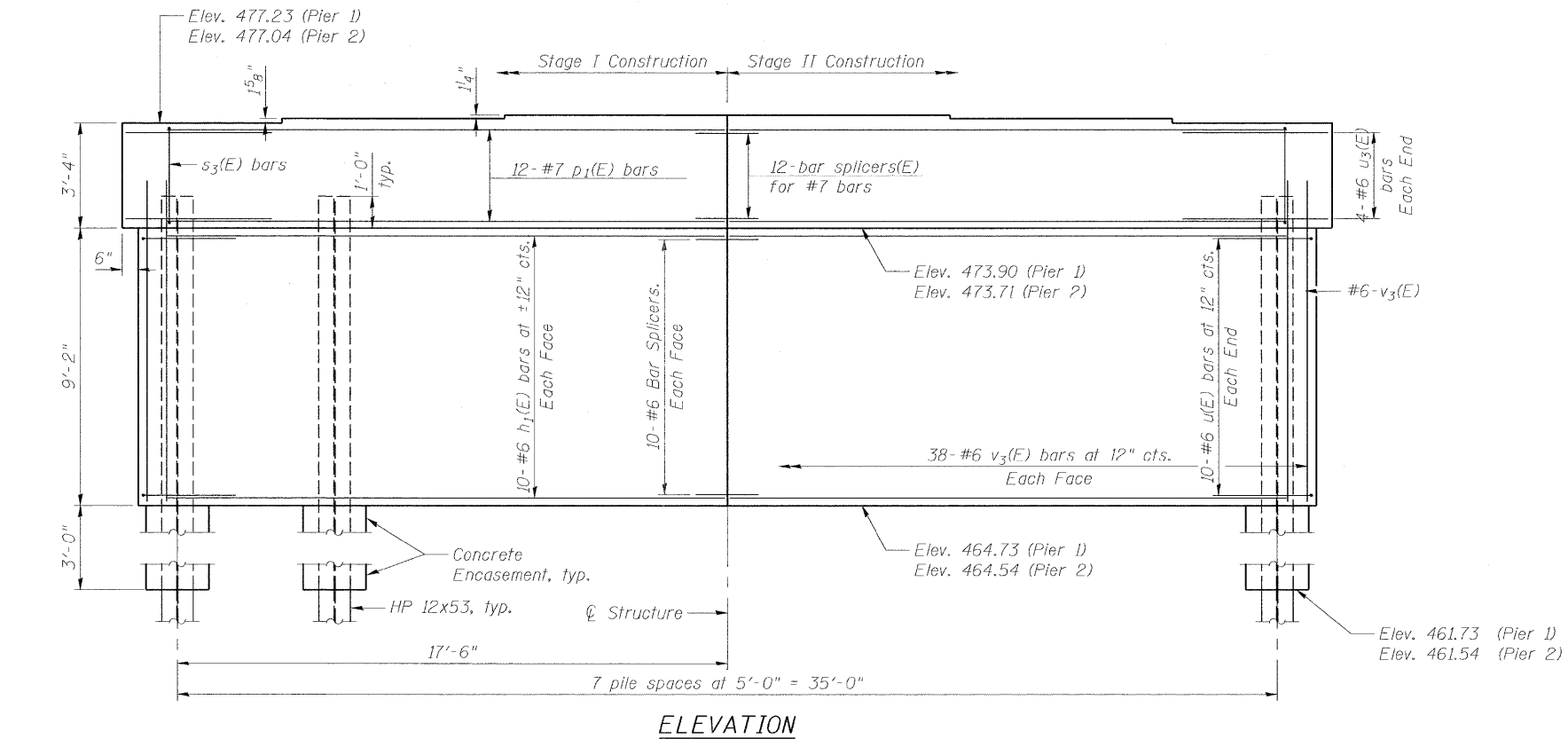
PILE DATA

	Pier 1	Pier 2
Type:	HP12x53	HP12x53
Nominal Required Bearing:	419 kip	385 kip
Allowable Resistance Available:	109 kip	109 kip
Est. Length:	29'-0"	31'-0"
No. Production Piles:	7	7
No. Test Piles:	1	1

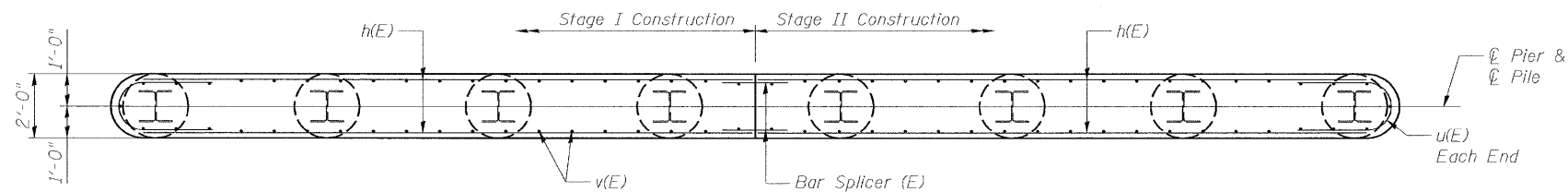
If a portion of the pier wall or concrete encasement is under water, reinforcement may be placed underwater into forms. Concrete shall be tremied according to Article 503.08 of the Standard Specifications to an elevation of 1'-0" above the water line at the time of construction.



END VIEW



ELEVATION



SECTION THRU STEM

BILL OF MATERIAL
(2 Piers)

Bar	No.	Size	Length	Shape
h ₁ (E)	80	#6	18'-3"	—
p ₁ (E)	48	#7	18'-6"	—
s ₃ (E)	48	#4	12'-1"	□
u ₂ (E)	40	#6	8'-1"	U
u ₃ (E)	16	#6	9'-7"	U
v ₃ (E)	152	#6	10'-10"	—
Structure Excavation		Cu. Yd.	95	
Concrete Structures		Cu. Yd.	79.7	
Reinforcement Bars, Epoxy Coated		Pound	7590	
Furnishing Steel Piles, HP 12x53		Foot	420	
Driving Piles		Foot	420	
Test Pile Steel HP 12x53		Each	2	
Pile Shoes		Each	16	
Concrete Encasement		Cu. Yd.	5.6	
Underwater Structure Excavation Protection-Location 1		Each	1	
Underwater Structure Excavation Protection-Location 2		Each	1	

(Location 1 = Pier 1)
(Location 2 = Pier 2)

PIER 1 & 2
US 51 / RICHLAND CREEK
F.A.P. RT. 322
FAYETTE COUNTY
SN. 026-0104

BENTON & ASSOCIATES, INC.

DESIGNED MBH
CHECKED NRF
DRAWN MBH
CHECKED NRF